



T&S BRASS AND BRONZE WORKS, INC.

2 Saddleback Cove / P.O. Box 1088
Travelers Rest, SC 29690

Model No.

B-1457

Item No.

Travelers Rest, SC: 800-476-4103 • Simi Valley, CA: 800-423-0150 • Fax: 864-834-3518 • www.tsbrass.com

This Space for Architect/Engineer Approval

Job Name _____ Date _____

Model Specified _____ Quantity _____

Customer/Wholesaler _____

Contractor _____

Architect/Engineer _____

B-0963
Continuous Pressure
Vacuum Breaker w/
Integral Check Valve

3/8" NPT x 36"
Flexible Water
Hose

Stainless Steel
Quick Disconnect

3/8" NPT x 40" Riser

Control Valve

3/8" NPT x 16" Riser

(2) B-0109-07
Wall Brackets

2 1/4"
[58mm]

7 1/4"
[185mm]

Rough-In Requirement:
Ø 1 1/2" [38mm] Mounting Hole

Quarter-Turn
Eterna Cartridges
w/ Spring Checks
& Lever Handles
w/ Color Coded
Indexes

Mounting Surface

18" Flexible
Stainless Steel
Supply Hoses

Compression Fittings
for 5/8" O.D. Copper Tubing
(Remove Compression Nut
for 1/2" NPSM Male)

Enclosed Coated
Hose Reel
w/ 30' of 3/8" Hose

B-0107
1.42 GPM
Spray Valve

Ø 1/2"
[13mm]

6 7/16"
[164mm]

5 1/2"
[139mm]

3 1/8"
[79mm]

5 1/4"
[133mm]

1/2"
[13mm]

3/4"
[19mm]

66 1/16"
[1678mm]

20 7/16"
[520mm]

Product Specifications:

Enclosed Coated Hose Reel w/ 30' of 3/8" Hose, 1.42 GPM Spray Valve, Vacuum Breaker, 3/8" NPT Flexible Water Hose, Single Hole Deck Mount Mixing Faucet w/ Spring Checks, (2) Wall Brackets & Control Valve

Product Compliance:

NSF 61 Exempt (Non-Potable)
EPA Act 2005 (PRSV)
ASSE 1056 (VB)

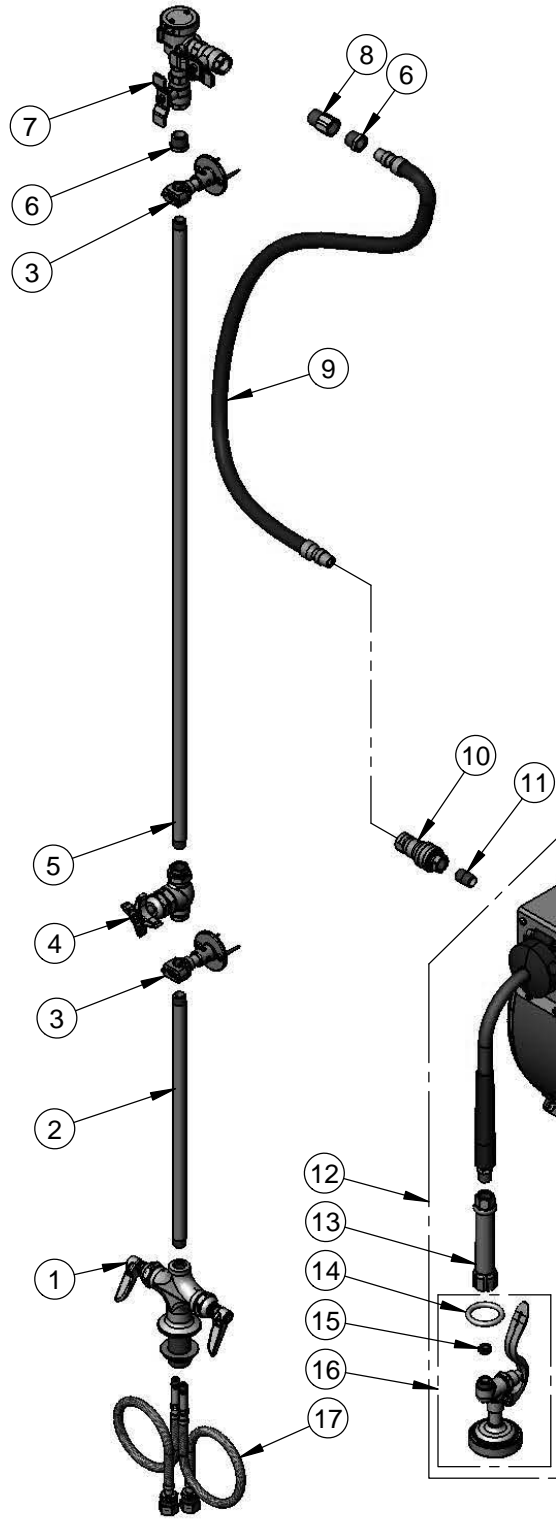


T&S BRASS AND BRONZE WORKS, INC.
 2 Saddleback Cove / P.O. Box 1088
 Travelers Rest, SC 29690

Model No.
B-1457

Item No.

Travelers Rest, SC: 800-476-4103 • Simi Valley, CA: 800-423-0150 • Fax: 864-834-3518 • www.tsbrass.com



ITEM NO.	SALES NO.	DESCRIPTION
1	002824-40	Single Hole Mixing Faucet w/ Supply Hoses
2	000368-40	3/8" NPT x 16" Riser
3	B-0109-07	Wall Bracket
4	ORK3	Control Valve
5	002558-40	3/8" NPT x 40" Riser
6	001359-40	1/2" NPT Male x 3/8" NPT Female Hex Bushing
7	B-0963	1/2" NPT Continuous Pressure VB w/ Integral Check Valve
8	015073-40	Check Valve 1/2" NPT Adapter
9	HW-2B-36	3/8" NPT x 36" Flexible Water Hose
10	AW-5B	3/8" NPT Quick Disconnect
11	002535-25	3/8" Close Nipple
12	B-7222-C01M	Enclosed Coated Hose Reel w/ 30' x 3/8" Hose
13	002881-40	Grip Handle, 3/8" NPT
14	000907-45	Spray Valve Hold Down Ring
15	010476-45	#27 Washer
16	B-0107	1.42 GPM Spray Valve
17	012534-45	18" Flexible Supply Hose (2)

Product Specifications:
 Enclosed Coated Hose Reel w/ 30' of 3/8" Hose, 1.42 GPM Spray Valve, Vacuum Breaker, 3/8" NPT Flexible Water Hose, Single Hole Deck Mount Mixing Faucet w/ Spring Checks, (2) Wall Brackets & Control Valve

Product Compliance:
 NSF 61 Exempt (Non-Potable)
 EPA Act 2005 (PRSV)
 ASSE 1056 (VB)