



T&S BRASS AND BRONZE WORKS, INC.

2 Saddleback Cove / P.O. Box 1088
Travelers Rest, SC 29690

Model No.

B-1458

Item No.

Travelers Rest, SC: 800-476-4103 • Simi Valley, CA: 800-423-0150 • Fax: 864-834-3518 • www.tsbrass.com

This Space for Architect/Engineer Approval

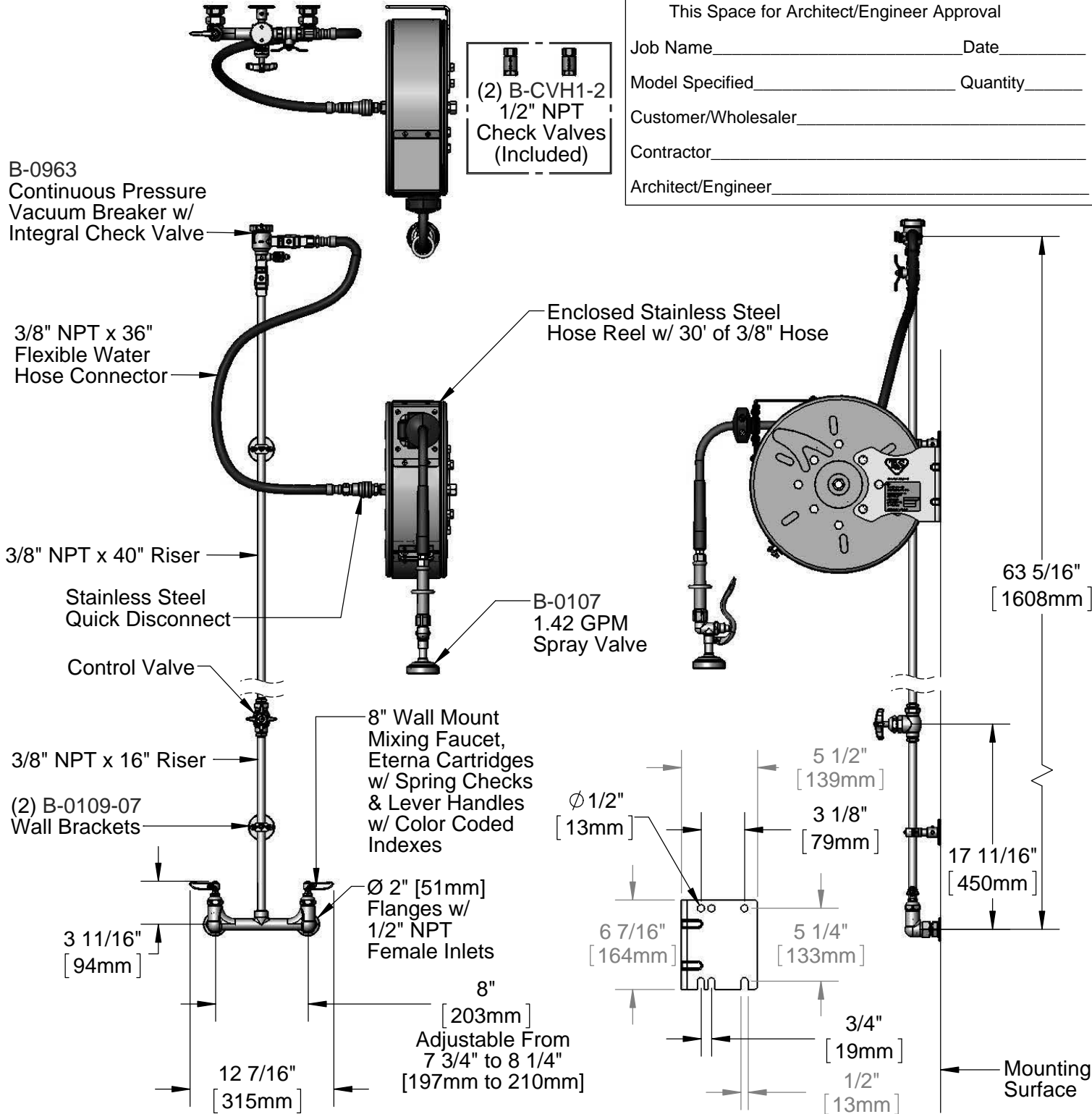
Job Name _____ Date _____

Model Specified _____ Quantity _____

Customer/Wholesaler _____

Contractor _____

Architect/Engineer _____



Product Specifications:
Enclosed Stainless Steel Hose Reel w/ 30' of 3/8" Hose, 1.42 GPM Spray Valve, Vacuum Breaker, 3/8" NPT Flexible Water Hose, 8" Wall Mount Mixing Faucet, Check Valves, Wall Brackets & Control Valve

Product Compliance:
NSF 61 Exempt (Non-Potable)
EPA Act 2005 (PRSV)
ASSE 1056 (VB)



T&S BRASS AND BRONZE WORKS, INC.

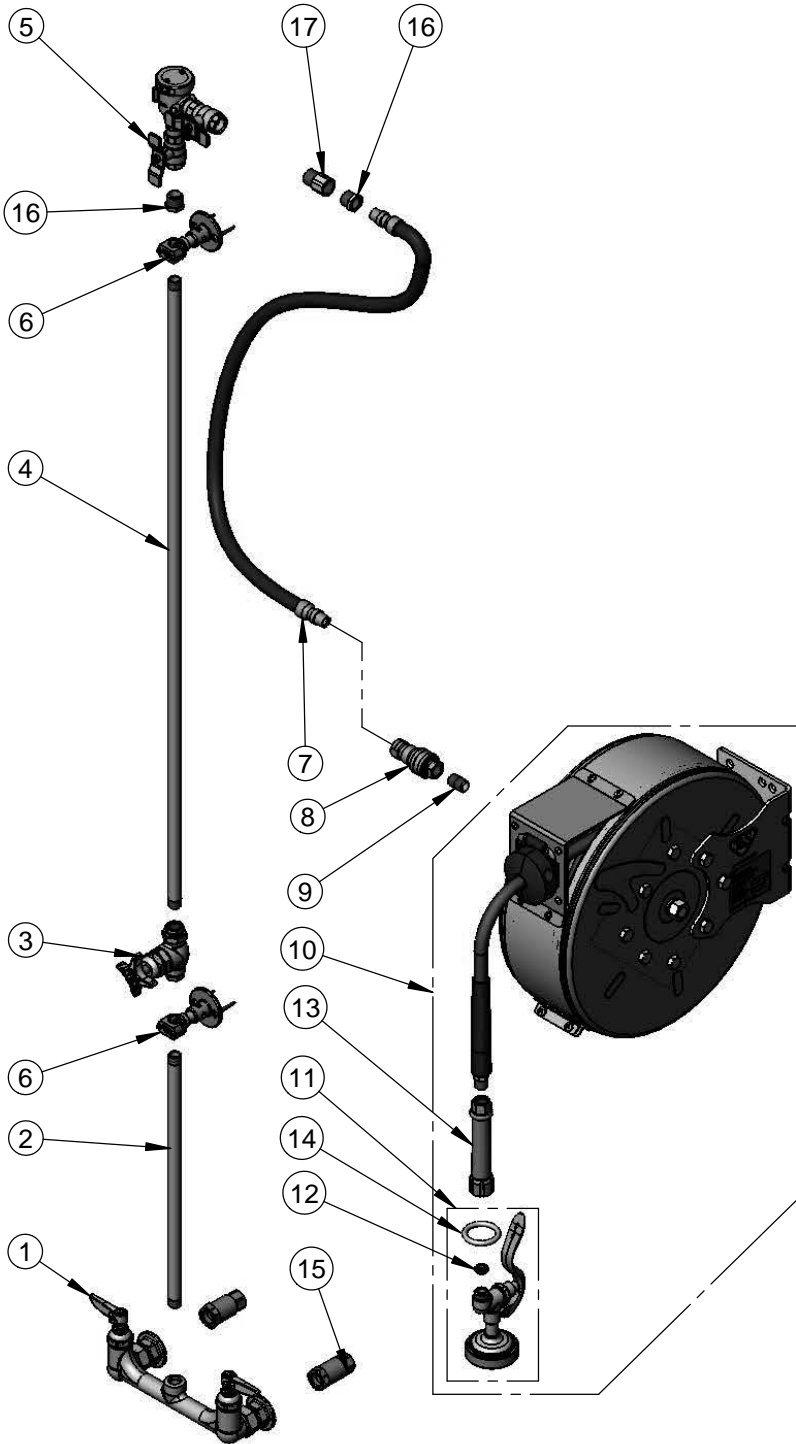
2 Saddleback Cove / P.O. Box 1088
Travelers Rest, SC 29690

Model No.

B-1458

Item No.

Travelers Rest, SC: 800-476-4103 • Simi Valley, CA: 800-423-0150 • Fax: 864-834-3518 • www.tsbrass.com



ITEM NO.	SALES NO.	DESCRIPTION
1	002832-40	8" Wall Mount Mixing Faucet
2	000368-40	3/8" NPT x 16" Riser
3	0RK3	Control Valve
4	002558-40	3/8" NPT x 40" Riser
5	B-0963	1/2" NPT Continuous Pressure VB w/ Integral Check Valve
6	B-0109-07	Wall Bracket
7	HW-2B-36	3/8" NPT x 36" Flexible Water Hose
8	AW-5B	3/8" NPT Quick Disconnect
9	002535-25	3/8" NPT Close Nipple
10	B-7122-C01M	Enclosed Stainless Steel Hose Reel w/ 50' of 3/8" Hose
11	B-0107	1.42 GPM Spray Valve
12	010476-45	#27 Washer
13	002881-40	Grip Handle, 3/8" NPT
14	000907-45	Spray Valve Hold Down Ring
15	B-CVH1-2	1/2" Check Valve
16	001359-40	1/2" NPT Male x 3/8" NPT Female Hex Bushing
17	015073-40	Check Valve w/ 1/2" NPT Adapter

Product Specifications:

Enclosed Stainless Steel Hose Reel w/ 30' of 3/8" Hose, 1.42 GPM Spray Valve, Vacuum Breaker, 3/8" NPT Flexible Water Hose, 8" Wall Mount Mixing Faucet, Check Valves, Wall Brackets & Control Valve

Product Compliance:

NSF 61 Exempt (Non-Potable)
EPA Act 2005 (PRSV)
ASSE 1056 (VB)