



# T&S BRASS AND BRONZE WORKS, INC.

2 Saddleback Cove / P.O. Box 1088  
Travelers Rest, SC 29690

Model No.

**B-1459**

Item No.

Travelers Rest, SC: 800-476-4103 • Simi Valley, CA: 800-423-0150 • Fax: 864-834-3518 • www.tsbrass.com

This Space for Architect/Engineer Approval

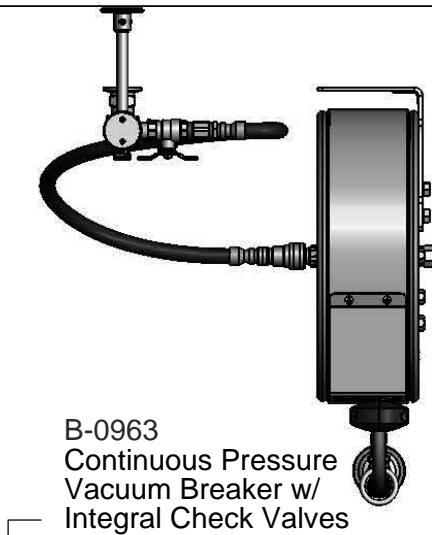
Job Name \_\_\_\_\_ Date \_\_\_\_\_

Model Specified \_\_\_\_\_ Quantity \_\_\_\_\_

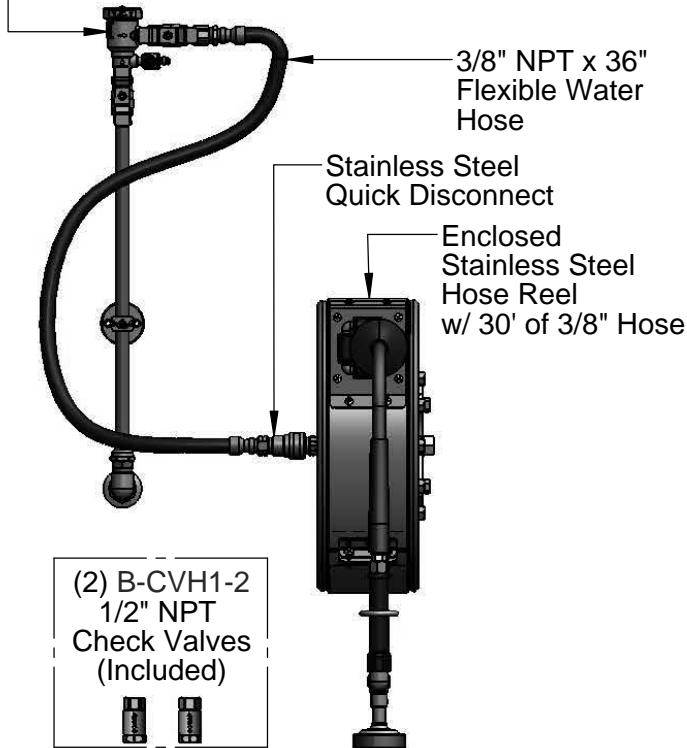
Customer/Wholesaler \_\_\_\_\_

Contractor \_\_\_\_\_

Architect/Engineer \_\_\_\_\_



**B-0963**  
Continuous Pressure  
Vacuum Breaker w/  
Integral Check Valves

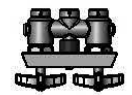


3/8" NPT x 36"  
Flexible Water  
Hose

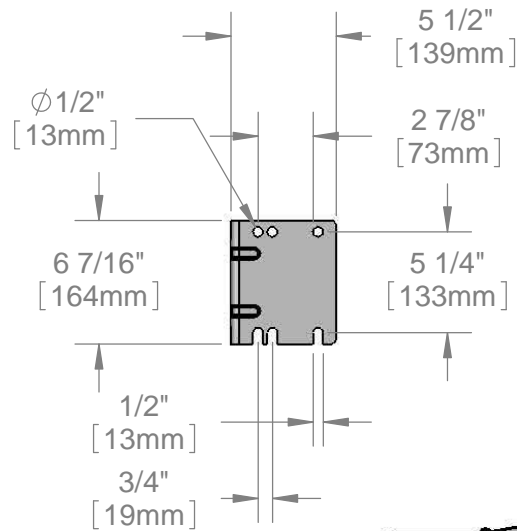
Stainless Steel  
Quick Disconnect

Enclosed  
Stainless Steel  
Hose Reel  
w/ 30' of 3/8" Hose

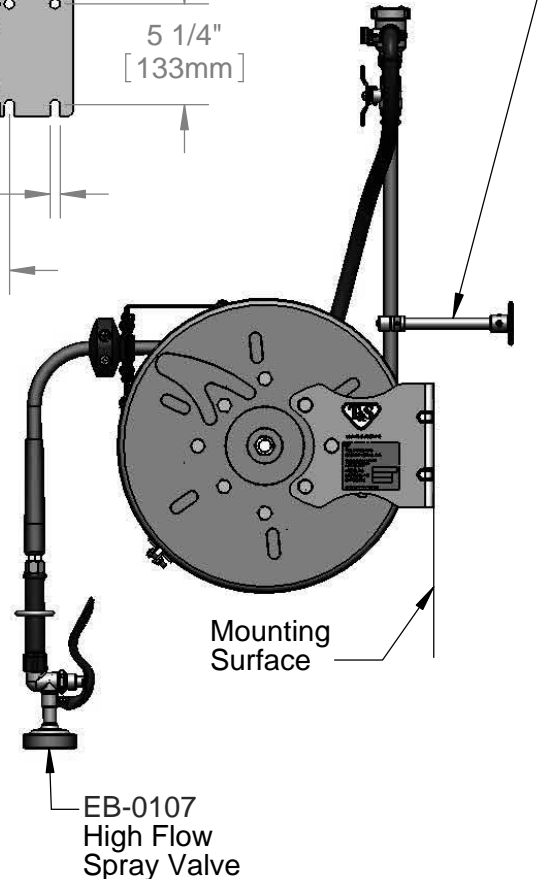
(2) B-CVH1-2  
1/2" NPT  
Check Valves  
(Included)



**B-0512**  
3" Concealed Mixing Faucet  
& 4-Arm Handles  
w/ Color-Coded Indexes  
(Included)



**B-0109-01**  
6" Wall Bracket



Mounting  
Surface

**EB-0107**  
High Flow  
Spray Valve

**Product Specifications:**

Enclosed Stainless Steel Hose Reel w/ 30' of 3/8" Hose, High Flow Spray Valve, Vacuum Breaker, 3/8" NPT Flexible Water Hose, 3" Concealed Mixing Valve & Check Valves

**Product Compliance:**

NSF 61 Exempt (Non-Potable)  
EPA Act 2005 Non-Compliant (PRSV)  
ASSE 1056 (VB)



# T&S BRASS AND BRONZE WORKS, INC.

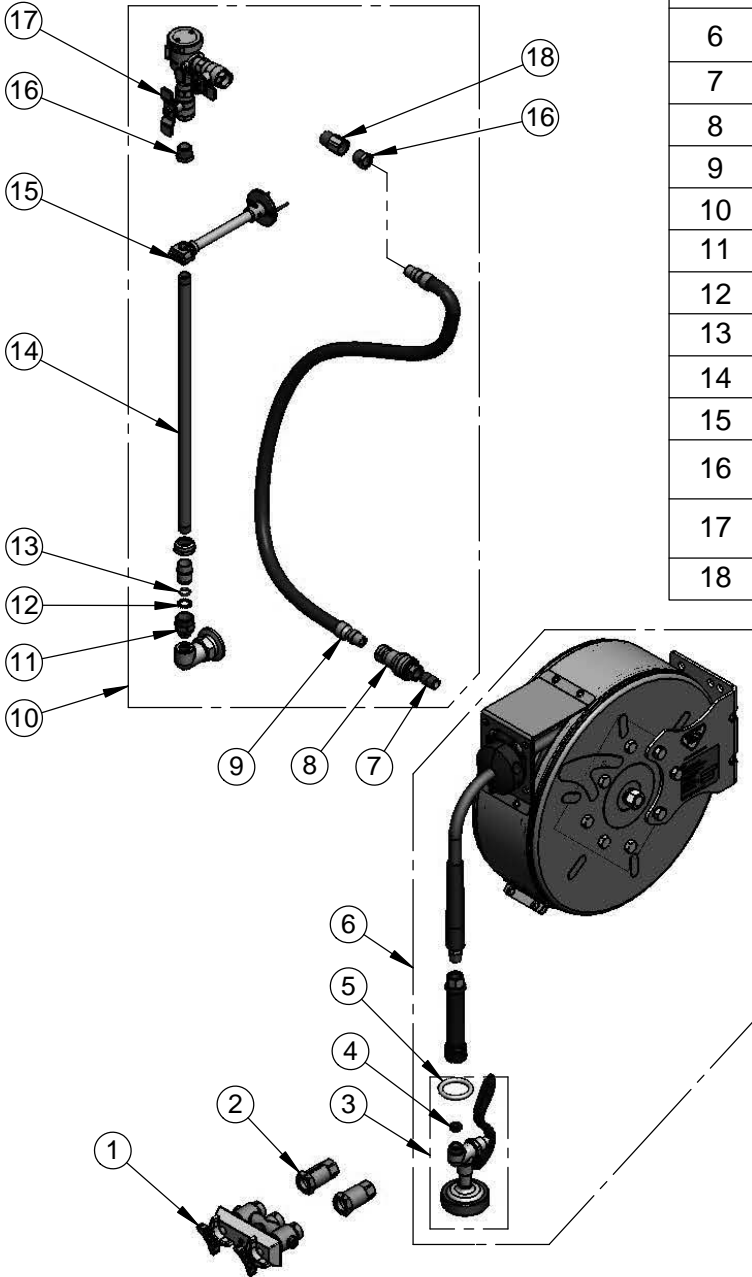
2 Saddleback Cove / P.O. Box 1088  
Travelers Rest, SC 29690

Model No.

**B-1459**

Item No.

Travelers Rest, SC: 800-476-4103 • Simi Valley, CA: 800-423-0150 • Fax: 864-834-3518 • www.tsbrass.com



| ITEM NO. | SALES NO.  | DESCRIPTION   |
|----------|------------|---|
| 1        | B-0512     | 3" Wall Mount Mixing Faucet   |
| 2        | B-CVH1-2   | 1/2" Check Valve  |
| 3        | EB-0107    | High Flow Spray Valve (Blue)  |
| 4        | 010476-45  | #27 Washer  |
| 5        | 000907-45  | Spray Valve Hold Down Ring  |
| 6        | B-7122-C01 | Enclosed Stainless Steel Hose Reel w/ 30' of 3/8" Hose              |
| 7        | 002535-25  | 3/8" Close Nipple   |
| 8        | AW-5B      | 3/8" NPT Quick Disconnect   |
| 9        | HW-2B-36   | 3/8" NPT x 36" Flexible Water Hose                                  |
| 10       | 0RK-SK     | Hose Reel Connector Kit   |
| 11       | B-0412     | Rigid to Swivel Adapter   |
| 12       | 014200-45  | Star Washer, Anti-Rotation  |
| 13       | 001065-45  | O-Ring  |
| 14       | 000369-40  | 3/8" NPT x 18" Riser  |
| 15       | B-0109-01  | 6" Wall Bracket   |
| 16       | 001359-40  | 1/2" NPT Male x 3/8" NPT Female Hex Bushing                         |
| 17       | B-0963     | 1/2" NPT Continuous Pressure Vacuum Breaker w/ Integral Check Valve |
| 18       | 015073-40  | Check Valve w/ 1/2" NPT Adapter                                     |

**Product Specifications:**

Enclosed Stainless Steel Hose Reel w/ 30' of 3/8" Hose, High Flow Spray Valve, Vacuum Breaker, 3/8" NPT Flexible Water Hose, 3" Concealed Mixing Valve & Check Valves

**Product Compliance:**

NSF 61 Exempt (Non-Potable)  
EPA Act 2005 Non-Compliant (PRSV)  
ASSE 1056 (VB)