



T&S BRASS AND BRONZE WORKS, INC.

2 Saddleback Cove / P.O. Box 1088
Travelers Rest, SC 29690



REG. #A2601
ISO #9001

Model No.
B-1958

Item No.

Travelers Rest, SC: 800-476-4103 Simi Valley, CA: 800-423-0150 Fax: 864-834-3518 www.tsbrass.com

This Space for Architect/Engineer Approval

Job Name _____ Date _____

Model Specified _____ Quantity _____

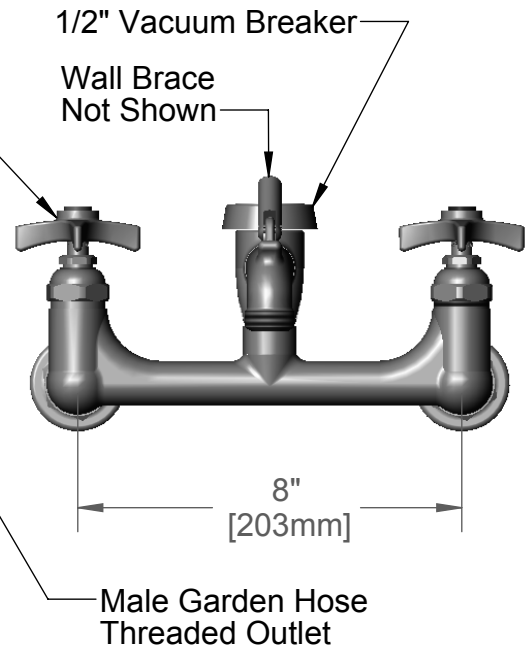
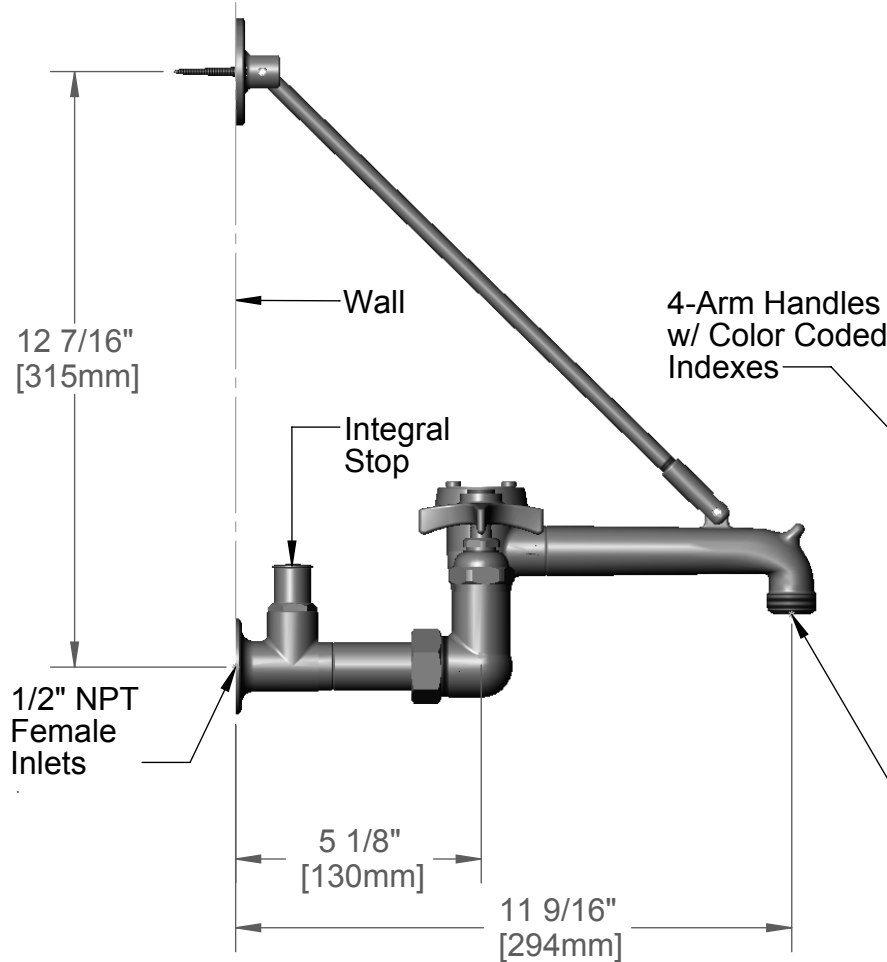
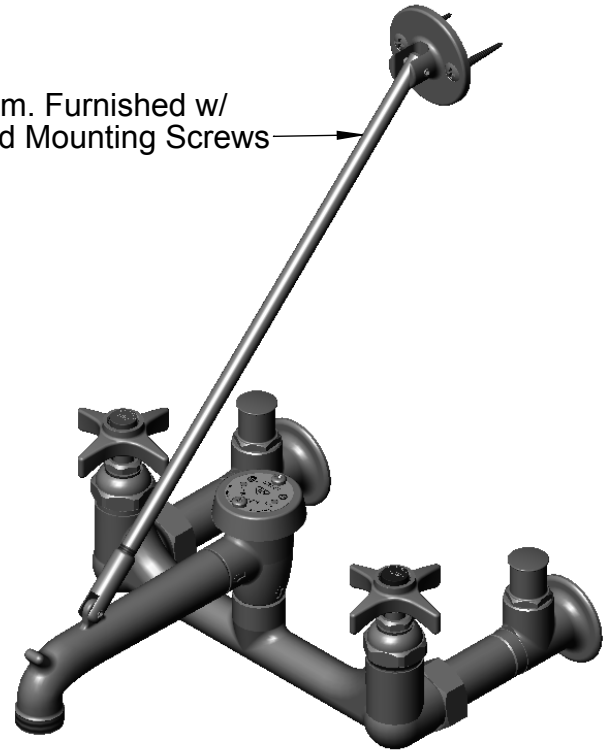
Customer/Wholesaler _____

Contractor _____

Architect/Engineer _____

- Variations or Applicable Options:
- WH4 4" Wrist Action Handles
 - WH6 6" Wrist Action Handles
 - 177F Lever Handles

Support Rod Asm. Furnished w/
Wall Bracket and Mounting Screws



Product Specifications:

Service Sink Faucet, 4-Arm Handles, Vacuum Breaker, Rough Chrome, Integral Stops w/ Extensions, Wall Brace Asm & 1/2" NPT Female Inlets

Drawn DHL	Checked GEF	Approved JHB
Scale: 1:4	Date: 4/23/07	



T&S BRASS AND BRONZE WORKS, INC.

2 Saddleback Cove / P.O. Box 1088
Travelers Rest, SC 29690



REG. #A2601
ISO #9001

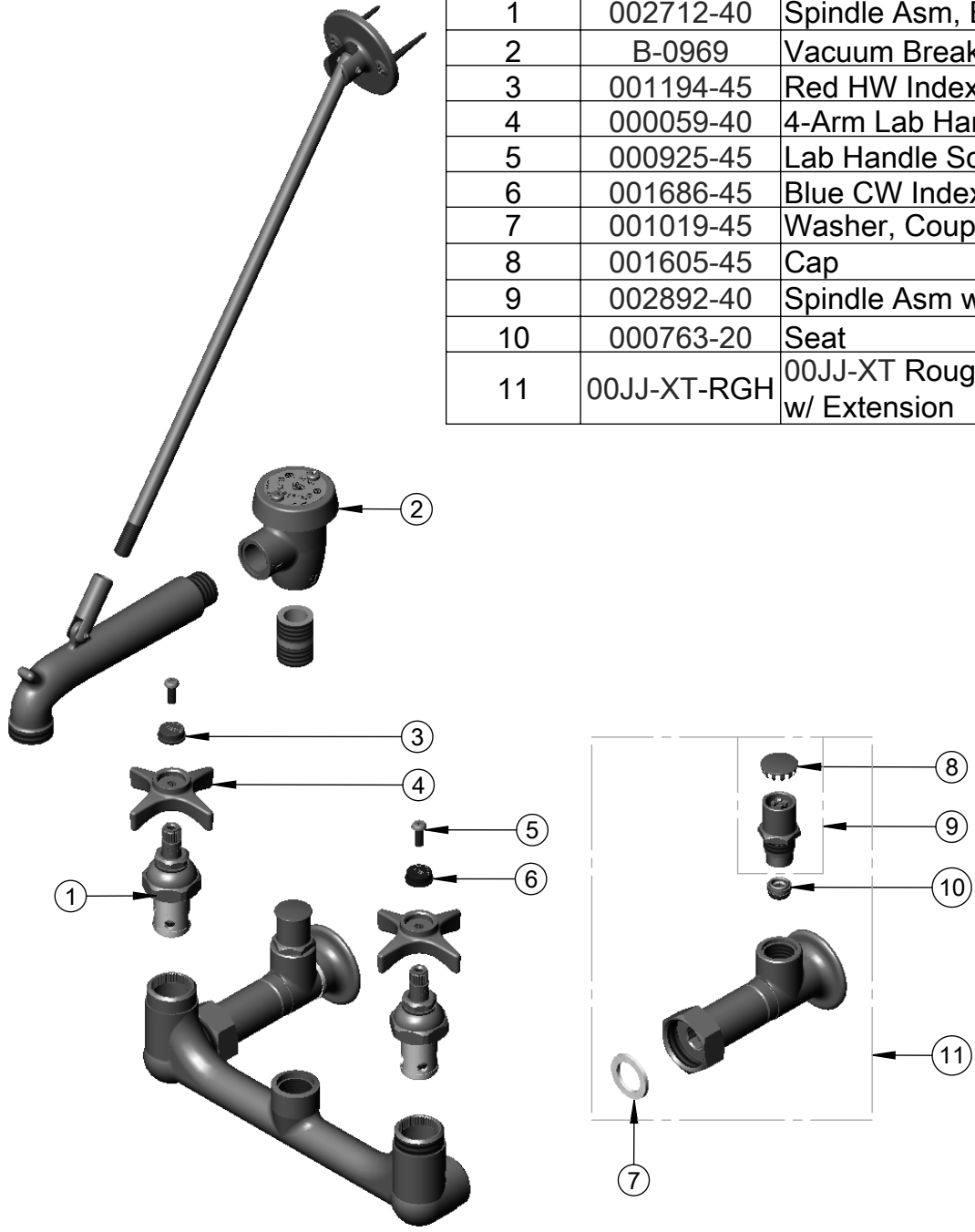
Model No.

B-1958

Item No.

Travelers Rest, SC: 800-476-4103 Simi Valley, CA: 800-423-0150 Fax: 864-834-3518 www.tsbrass.com

ITEM NO.	SALES NO.	DESCRIPTION
1	002712-40	Spindle Asm, Eterna Hot
2	B-0969	Vacuum Breaker, 1/2"
3	001194-45	Red HW Index
4	000059-40	4-Arm Lab Handle
5	000925-45	Lab Handle Screw
6	001686-45	Blue CW Index
7	001019-45	Washer, Coupling Nut
8	001605-45	Cap
9	002892-40	Spindle Asm w/ Cap
10	000763-20	Seat
11	00JJ-XT-RGH	00JJ-XT Rough Chrome Service Stop w/ Extension



Product Specifications:

Service Sink Faucet, 4-Arm Handles, Vacuum Breaker, Rough Chrome, Integral Stops w/ Extensions, Wall Brace Asm & 1/2" NPT Female Inlets

Drawn DHL	Checked GEF	Approved JHB
Scale: 1:4		Date: 4/23/07