



**T&S BRASS AND BRONZE WORKS, INC.**

2 Saddleback Cove / P.O. Box 1088  
Travelers Rest, SC 29690



REG. #A2601  
ISO #9001

Model No.  
**B-2130-CR-B08C**

Item No.

Travelers Rest, SC: 800-476-4103 • Simi Valley, CA: 800-423-0150 • Fax: 864-834-3518 • www.tsbrass.com

This Space for Architect/Engineer Approval

Job Name \_\_\_\_\_ Date \_\_\_\_\_

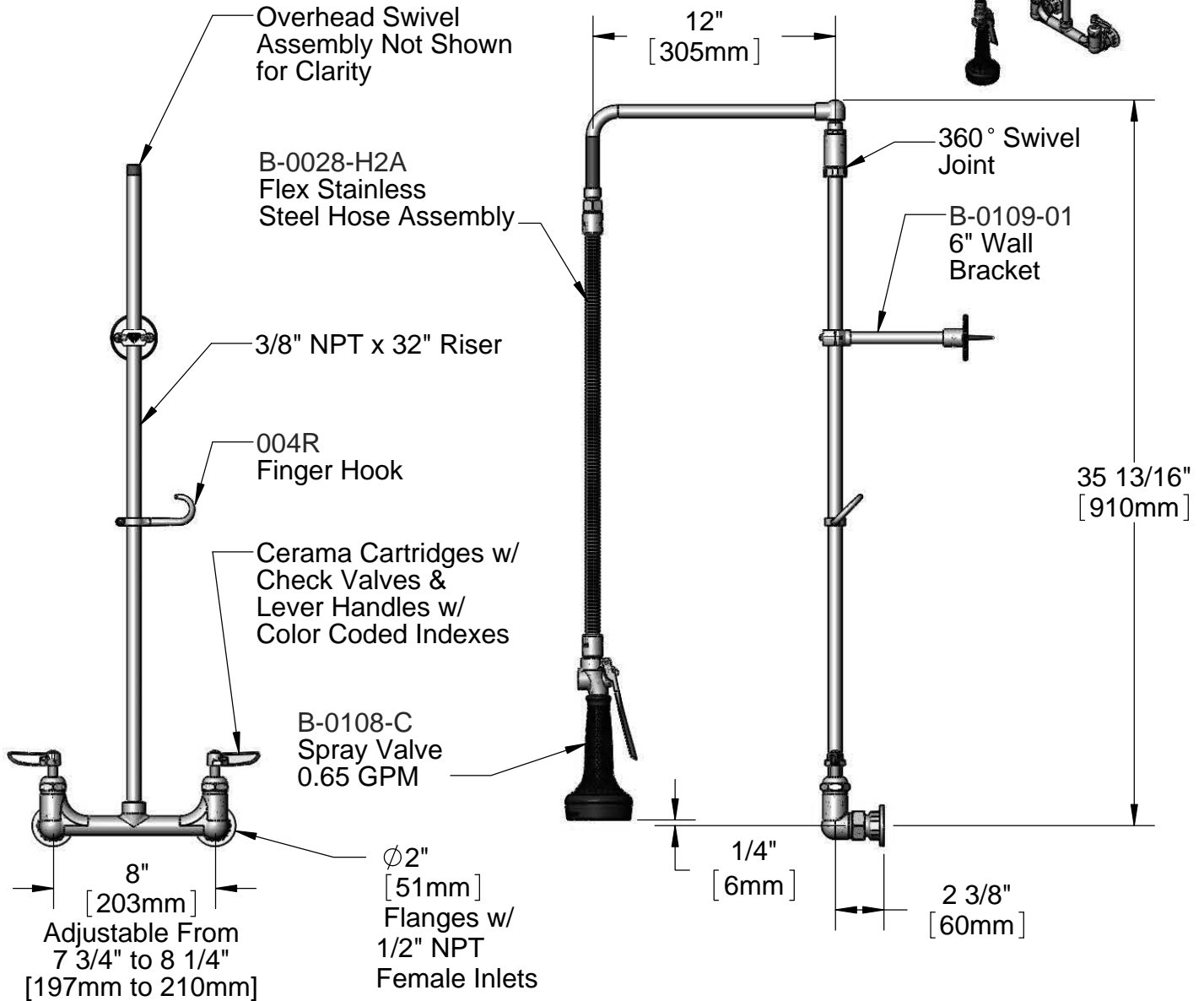
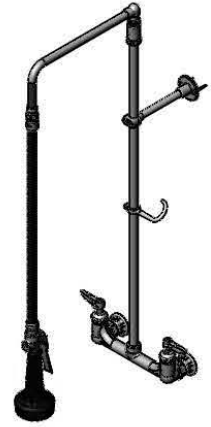
Model Specified \_\_\_\_\_ Quantity \_\_\_\_\_

Customer/Wholesaler \_\_\_\_\_

Contractor \_\_\_\_\_

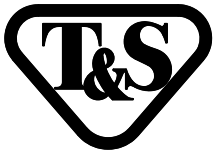
Architect/Engineer \_\_\_\_\_

EPAct 2005 Compliant



Product Specifications:  
Pre-Rinse Unit w/ Lever Handles, 1/2" NPT Female Inlets, Cerama Cartridges, 32" Riser, 28" Flex Hose, Overhead Swivel Assembly, B-0108-C Spray Valve & 6" Wall Bracket

Drawn <b>KJG</b>	Checked <b>DMH</b>	Approved <b>JHB</b>
Scale: <b>1:8</b>		Date: <b>08/29/11</b>



# T&S BRASS AND BRONZE WORKS, INC.

2 Saddleback Cove / P.O. Box 1088  
Travelers Rest, SC 29690



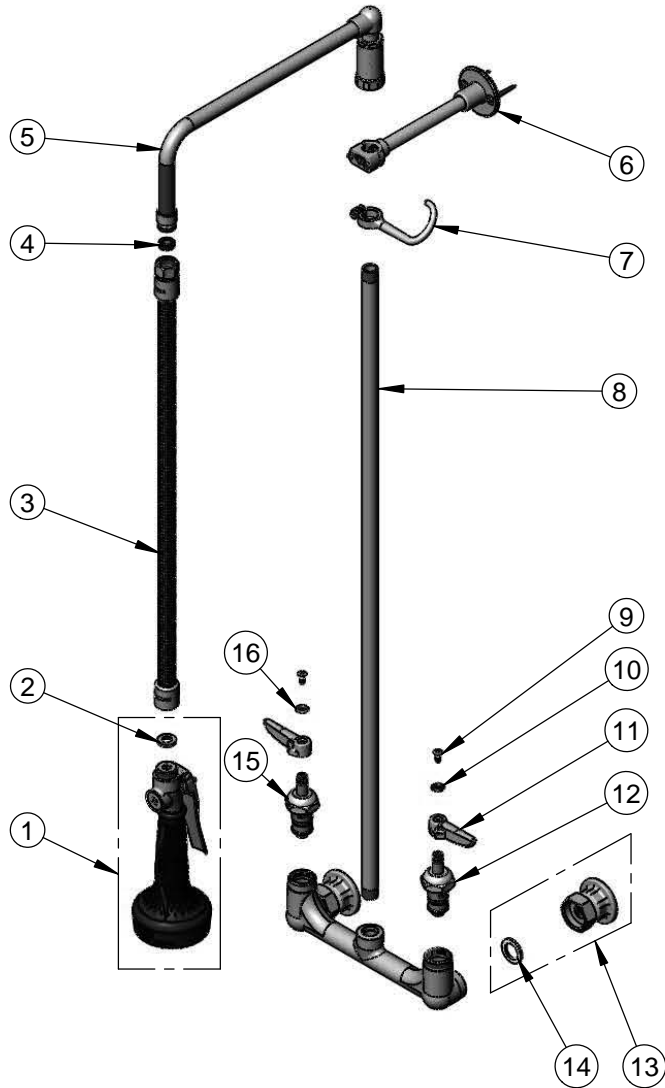
REG. #A2601  
ISO #9001

Model No.

**B-2130-CR-B08C**

Item No.

Travelers Rest, SC: 800-476-4103 • Simi Valley, CA: 800-423-0150 • Fax: 864-834-3518 • www.tsbrass.com



ITEM NO.	SALES NO.	DESCRIPTION
1	B-0108-C	Spray Valve Assembly w/ Washer
2	001014-45	Washer, B-0100 Hose Barrel
3	B-0028-H2A	28" SS Flex Hose w/o Handle
4	010476-45	#27 Washer
5	002882-40	L-Tube Assembly, 12"
6	B-0109-01	6" Wall Bracket
7	004R	Finger Hook Assembly
8	000376-40	3/8" NPT x 32" Long Riser
9	000922-45	Lever Handle Screw
10	001660-45	Blue Index-CW
11	001638-45	Lever Handle
12	012395-25	Cerama Cartridge, LTC w/ Check Valve
13	00AA	Flange Assembly
14	001019-45	Coupling Nut Washer
15	012394-25	Cerama Cartridge, RTC w/ Check Valve
16	001661-45	Red Index-HW

**Product Specifications:**

Pre-Rinse Unit w/ Lever Handles, 1/2" NPT Female Inlets, Cerama Cartridges, 32" Riser, 28" Flex Hose, Overhead Swivel Assembly, B-0108-C Spray Valve & 6" Wall Bracket

Drawn

**KJG**

Checked

**DMH**

Approved

**JHB**

Scale:

**NTS**

Date:

**08/29/11**