



**T&S BRASS AND BRONZE WORKS, INC.**

2 Saddleback Cove / P.O. Box 1088  
 Travelers Rest, SC 29690



REG. #A2601  
 ISO #9001

Model No.  
**B-2140**

Item No.

Travelers Rest, SC: 800-476-4103 • Simi Valley, CA: 800-423-0150 • Fax: 864-834-3518 • www.tsbrass.com

This Space for Architect/Engineer Approval

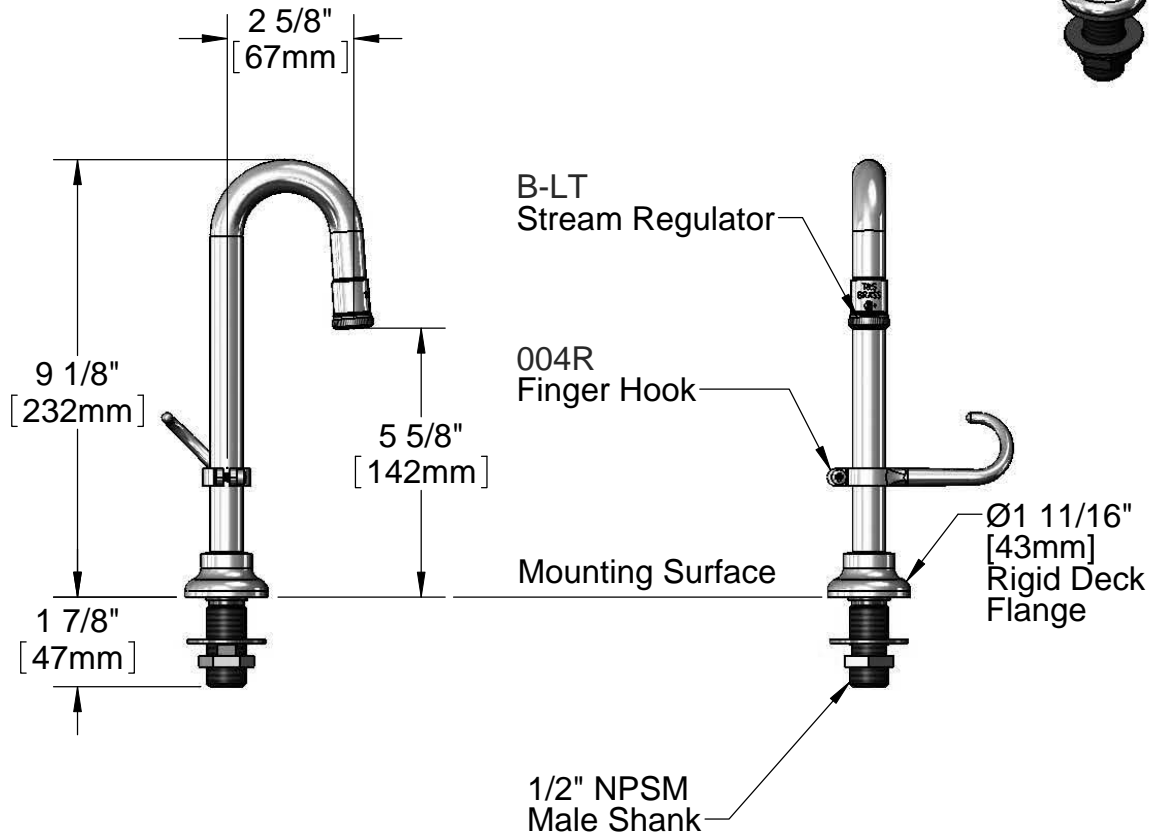
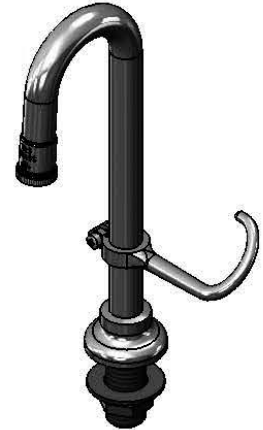
Job Name \_\_\_\_\_ Date \_\_\_\_\_

Model Specified \_\_\_\_\_ Quantity \_\_\_\_\_

Customer/Wholesaler \_\_\_\_\_

Contractor \_\_\_\_\_

Architect/Engineer \_\_\_\_\_



150A Tailpiece  
 & Nut Furnished  
 For Optional 1/4"  
 NPT Connection

Note: Rough-In Requirement  
 Ø 1" [25mm] Mounting Holes

Product Specifications:  
 Rigid Goosebeck, Center Flange, Finger Hook  
 & B-LT Stream Regulator

Drawn <b>DHL</b>	Checked <b>DMH</b>	Approved <b>JHB</b>
Scale: <b>1:4</b>		Date: <b>04/06/11</b>



**T&S BRASS AND BRONZE WORKS, INC.**

2 Saddleback Cove / P.O. Box 1088  
Travelers Rest, SC 29690



REG. #A2601  
ISO #9001

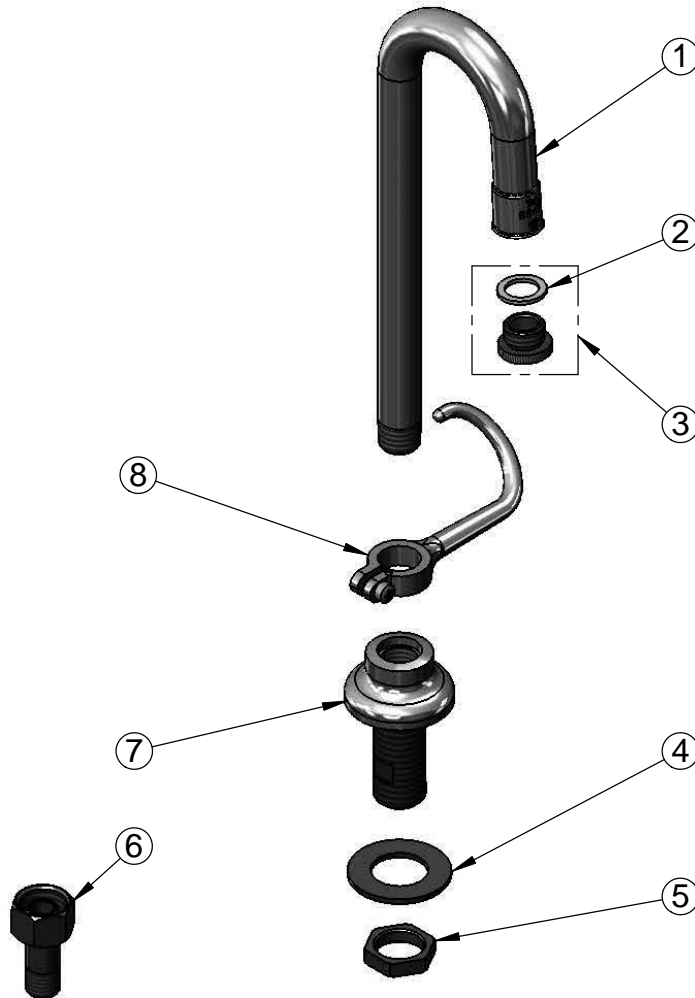
Model No.

**B-2140**

Item No.

Travelers Rest, SC: 800-476-4103 • Simi Valley, CA: 800-423-0150 • Fax: 864-834-3518 • www.tsbrass.com

ITEM NO.	SALES NO.	DESCRIPTION
1	000393-40	Rigid Gooseneck
2	001043-45	Washer
3	B-LT	Stream Regulator Outlet
4	000999-45	Brass Lock Washer
5	002954-45	Shank Lock Nut
6	150A	1/4" NPT Male Tapered Tailpiece Assembly
7	B-0430	Rigid Deck Mount Base Assembly
8	004R	Finger Hook Assembly



Product Specifications:  
Rigid Goosebeck, Center Flange, Finger Hook  
& B-LT Stream Regulator

Drawn

**DHL**

Checked

**DMH**

Approved

**JHB**

Scale:

**NTS**

Date:

**04/06/11**