



**T&S BRASS AND BRONZE WORKS, INC.**

2 Saddleback Cove / P.O. Box 1088  
Travelers Rest, SC 29690

Model No.

**B-2223**

Item No.

Travelers Rest, SC: 800-476-4103 • Simi Valley, CA: 800-423-0150 • Fax: 864-834-3518 • www.tsbrass.com

This Space for Architect/Engineer Approval

Job Name \_\_\_\_\_ Date \_\_\_\_\_

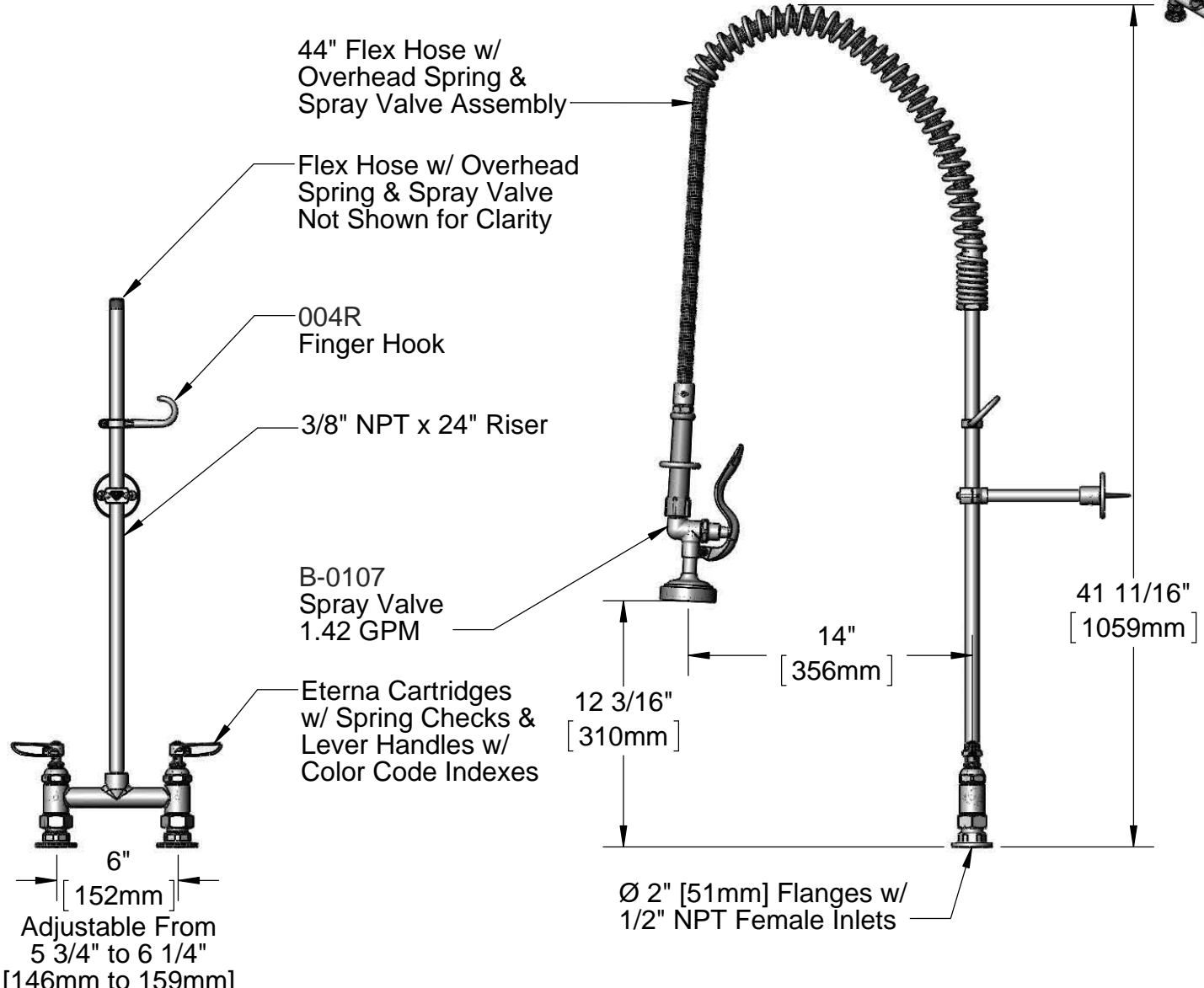
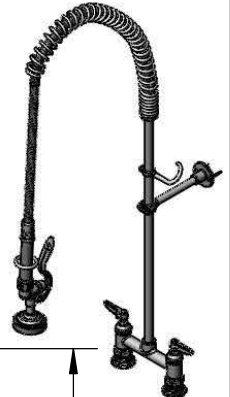
Model Specified \_\_\_\_\_ Quantity \_\_\_\_\_

Customer/Wholesaler \_\_\_\_\_

Contractor \_\_\_\_\_

Architect/Engineer \_\_\_\_\_

**EPAct 2005 Compliant**



Product Specifications:  
Pre-Rinse w/ 6" c/c Deck Mount Mixing Faucet, 1/2" NPT Female Inlets, 24" Riser, Overhead Spring, 44" Stainless Steel Flex Hose & B-0107 Spray Valve

Drawn <b>DHL</b>	Checked <b>DMH</b>	Approved <b>JHB</b>
Scale: <b>1:8</b>		Date: <b>03/02/12</b>



# T&S BRASS AND BRONZE WORKS, INC.

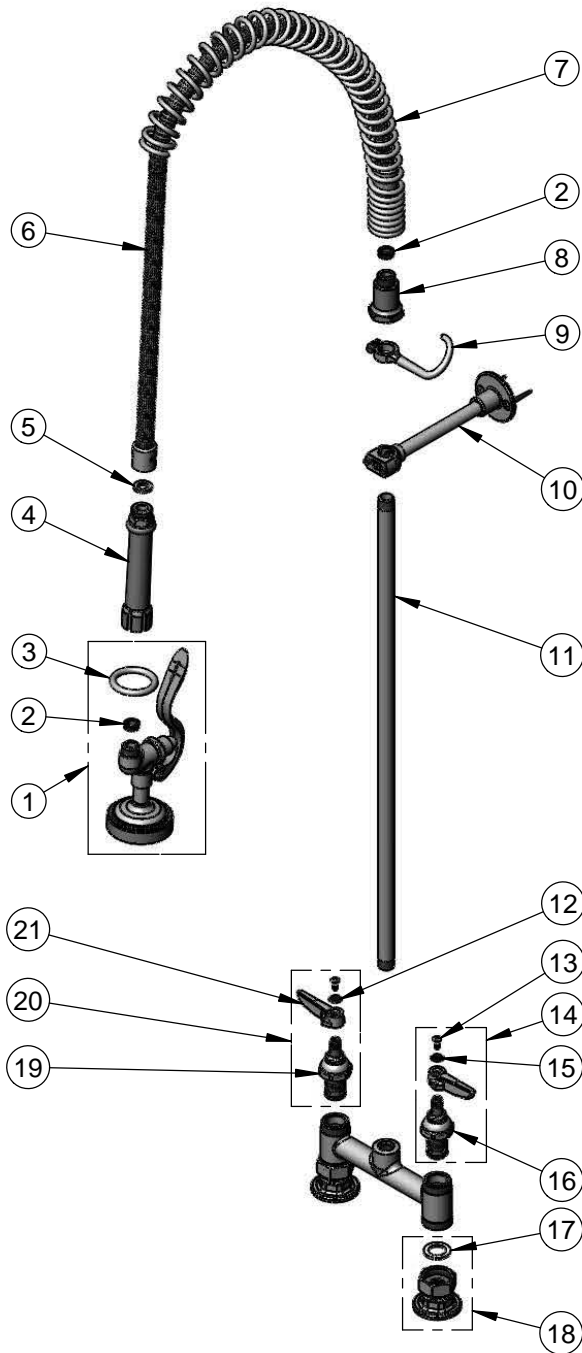
2 Saddleback Cove / P.O. Box 1088  
Travelers Rest, SC 29690

Model No.

**B-2223**

Item No.

Travelers Rest, SC: 800-476-4103 • Simi Valley, CA: 800-423-0150 • Fax: 864-834-3518 • www.tsbrass.com



ITEM NO.	SALES NO.	DESCRIPTION
1	B-0107	Spray Valve w/ Hold Down Ring & Washer
2	010476-45	#27 Washer
3	000907-45	Spray Valve Hold Down Ring
4	002987-40	Spray Valve Grip Handle
5	001014-45	Washer, B-0100 Hose Barrel
6	B-0044-H2A	Stainless Steel Flex Hose - Less Grip Handle
7	000888-45	EasyInstall Overhead Spring
8	000821-40	Spring Body
9	004R	Finger Hook Assembly
10	B-0109-01	6" Wall Support Bracket
11	000372-40	3/8" NPT x 24" Riser
12	001661-45	Red Index-HW
13	000922-45	Lever Handle Screw
14	002711-40	Eterna Cartridge (LTC) w/ Spring Check, Handle, Index & Screw
15	001660-45	Blue Index-CW
16	012442-40	Eterna Cartridge (LTC) w/ Spring Check
17	001019-45	Coupling Nut Washer
18	00AA	1/2" NPT Wall Flange
19	012443-40	Eterna Cartridge (RTC) w/ Spring Check
20	002712-40	Eterna Cartridge (RTC) w/ Spring Check, Handle, Index & Screw
21	001638-45	Lever Handle

Product Specifications:  
Pre-Rinse w/ 6" c/c Deck Mount Mixing Faucet, 1/2" NPT Female Inlets, 24" Riser, Overhead Spring, 44" Stainless Steel Flex Hose & B-0107 Spray Valve

Drawn <b>DHL</b>	Checked <b>DMH</b>	Approved <b>JHB</b>
Scale: <b>NTS</b>		Date: <b>03/02/12</b>