



T&S BRASS AND BRONZE WORKS, INC.

2 Saddleback Cove / P.O. Box 1088
Travelers Rest, SC 29690

Model No.

B-2271-CR

Item No.

Travelers Rest, SC: 800-476-4103 • Simi Valley, CA: 800-423-0150 • Fax: 864-834-3518 • www.tsbrass.com



ADA Compliant

This Space for Architect/Engineer Approval

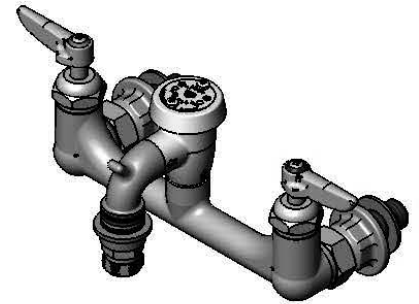
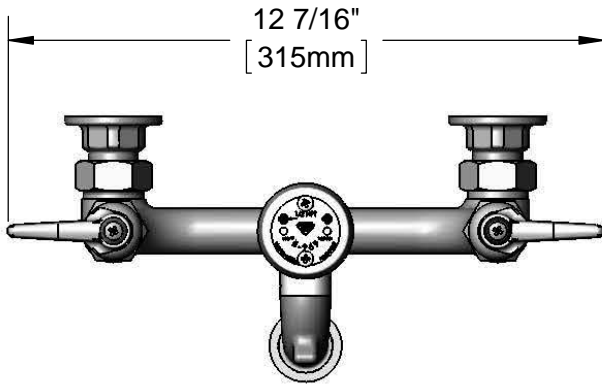
Job Name _____ Date _____

Model Specified _____ Quantity _____

Customer/Wholesaler _____

Contractor _____

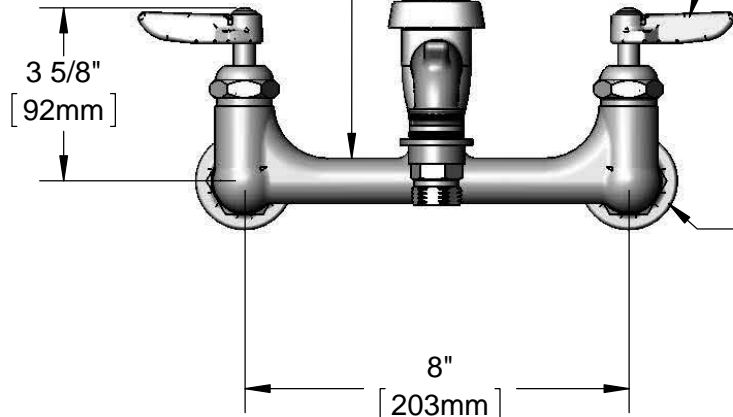
Architect/Engineer _____



Rough Chrome Finish on Faucet Body & Spout

B-0969 1/2" NPT Atmospheric Vacuum Breaker

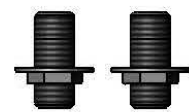
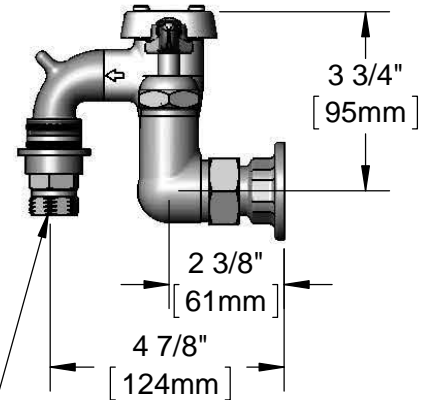
Cerama Cartridges w/ Check Valves & Lever Handles w/ Color Coded Indexes



Adjustable From 7 3/4" to 8 1/4" [197mm to 210mm]

Ø 2" [51mm] Flanges w/ 1/2" NPT Female Inlets

Male Garden Hose Outlet w/ Quick Disconnect Fitting



B-0425-M
1/2" NPT
Supply Nipple Kit (2)
(Included)

Rough-In Requirement:
(2) Ø 1" [25mm] Mounting Holes

Product Specifications:

8" Wall Mount Rough Chrome Service Sink Mixing Faucet, Cerama Cartridges w/ Check Valves, Lever Handles, Male Garden Hose Outlet w/ Quick Disconnect Fitting, 1/2" NPT Vacuum Breaker & 1/2" NPT Female Inlets

Product Compliance:

ASME A112.18.1 / CSA B125.1
NSF 61 Exempt (Non-Potable)
ANSI A117.1 (ADA)
ASSE 1001 (VB)



T&S BRASS AND BRONZE WORKS, INC.

2 Saddleback Cove / P.O. Box 1088
Travelers Rest, SC 29690

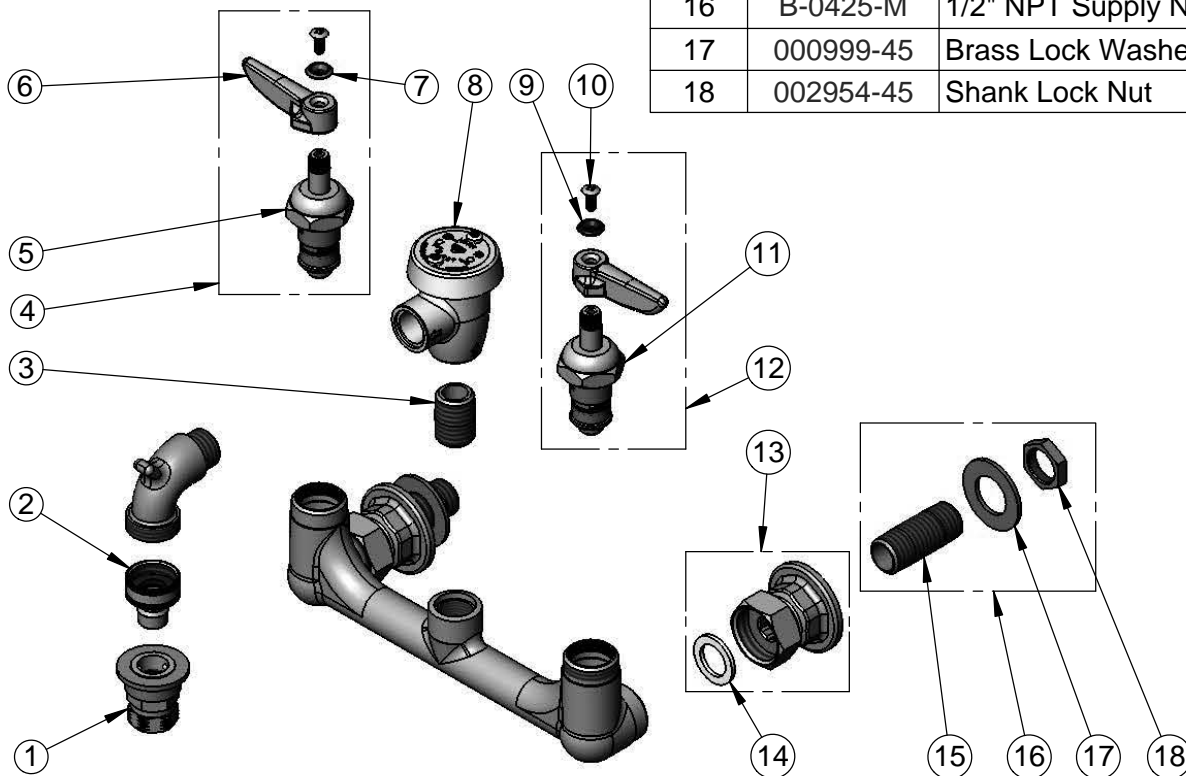
Model No.

B-2271-CR

Item No.

Travelers Rest, SC: 800-476-4103 • Simi Valley, CA: 800-423-0150 • Fax: 864-834-3518 • www.tsbrass.com

ITEM NO.	SALES NO.	DESCRIPTION
1	001371-45	Socket, Quick Disconnect
2	001370-45	Plug, Quick Disconnect
3	002534-25	1/2" NPT Close Nipple
4	012446-25	Cerama Cartridge, RTC w/ Check Valve, Handle, Index & Screw
5	012394-25	Cerama Cartridge, RTC w/ Check Valve
6	001638-45	Lever Handle
7	001661-45	Red Index-HW
8	B-0969	1/2" NPT Vacuum Breaker
9	001660-45	Blue Index-CW
10	000922-45	Lever Handle Screw
11	012395-25	Cerama Cartridge, LTC w/ Check Valve
12	012447-25	Cerama Cartridge, LTC w/ Check Valve, Handle, Index & Screw
13	00AA	1/2" NPT Female Eccentric Flange
14	001019-45	Coupling Nut Washer
15	000422-20	Supply Nipple
16	B-0425-M	1/2" NPT Supply Nipple Kit (2)
17	000999-45	Brass Lock Washer
18	002954-45	Shank Lock Nut



Product Specifications:

8" Wall Mount Rough Chrome Service Sink Mixing Faucet, Cerama Cartridges w/ Check Valves, Lever Handles, Male Garden Hose Outlet w/ Quick Disconnect Fitting, 1/2" NPT Vacuum Breaker & 1/2" NPT Female Inlets

Product Compliance:

ASME A112.18.1 / CSA B125.1
NSF 61 Exempt (Non-Potable)
ANSI A117.1 (ADA)
ASSE 1001 (VB)