



# T&S BRASS AND BRONZE WORKS, INC.

2 Saddleback Cove / P.O. Box 1088  
Travelers Rest, SC 29690

Model No.

**B-2277-01-CR**

Item No.

Travelers Rest, SC: 800-476-4103 • Simi Valley, CA: 800-423-0150 • Fax: 864-834-3518 • www.tsbrass.com

This Space for Architect/Engineer Approval

Job Name \_\_\_\_\_ Date \_\_\_\_\_

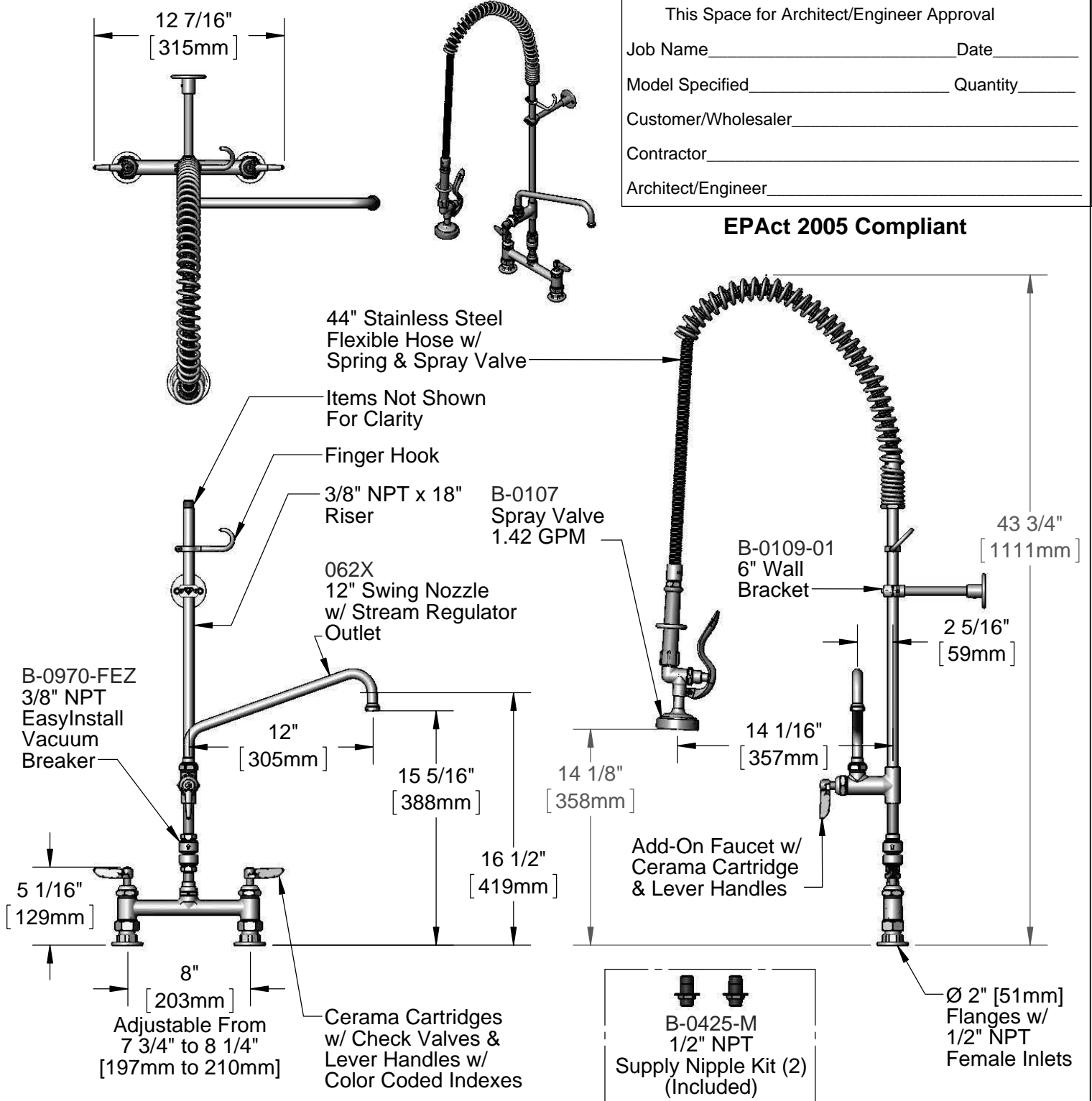
Model Specified \_\_\_\_\_ Quantity \_\_\_\_\_

Customer/Wholesaler \_\_\_\_\_

Contractor \_\_\_\_\_

Architect/Engineer \_\_\_\_\_

**EPAct 2005 Compliant**



**Product Specifications:**

**EasyInstall Pre-Rinse Unit:**  
8" Deck Mount Mixing Faucet, Cerama Cartridges w/ Check Valves, Lever Handle, Vacuum Breaker, Add-On Faucet w/ Cerama Cartridge, 18" Riser, 6" Wall Bracket, 44" Stainless Steel Flexible Hose, 1.42 GPM Spray Valve, 12" Swing Nozzle, & 1/2" NPT Female Inlets

Drawn <b>DHL</b>	Checked <b>DMH</b>	Approved <b>JHB</b>
Scale: <b>1:9</b>		Date: <b>05/22/13</b>



# T&S BRASS AND BRONZE WORKS, INC.

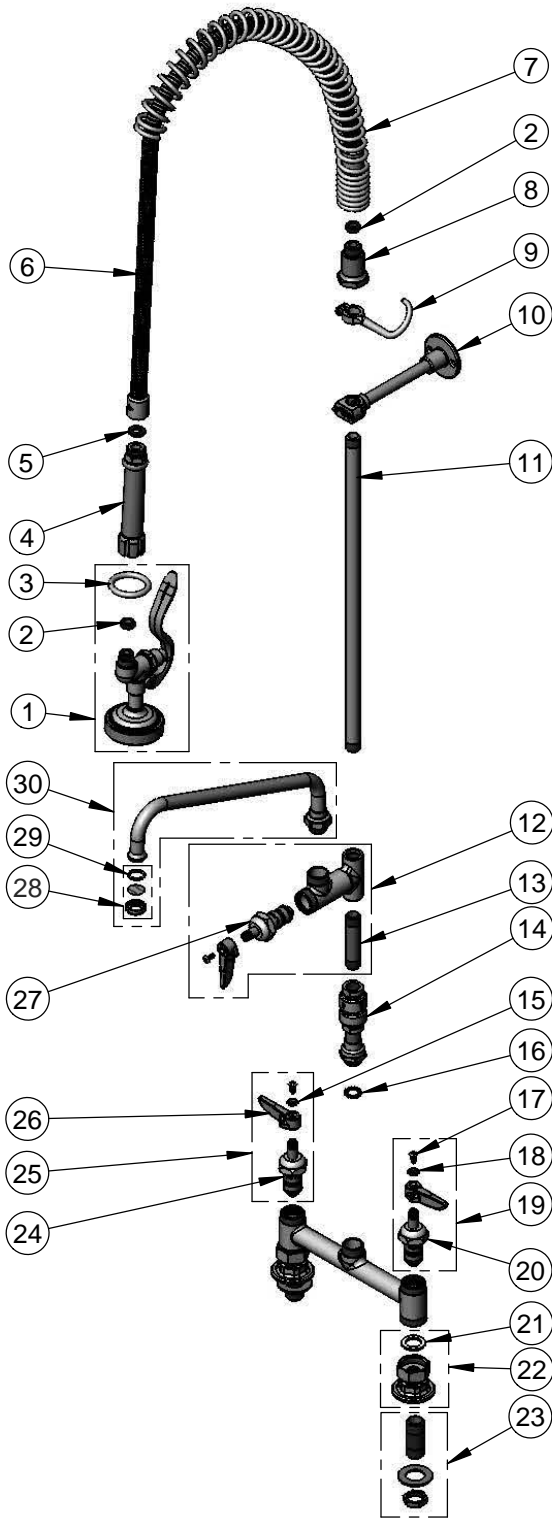
2 Saddleback Cove / P.O. Box 1088  
Travelers Rest, SC 29690

Model No.

**B-2277-01-CR**

Item No.

Travelers Rest, SC: 800-476-4103 • Simi Valley, CA: 800-423-0150 • Fax: 864-834-3518 • www.tsbrass.com



ITEM NO.	SALES NO.	DESCRIPTION
1	B-0107	1.42 GPM Spray Valve
2	010476-45	#27 Washer
3	000907-45	Spray Valve Hold Down Ring
4	002987-40	Gray Handle Grip
5	001014-45	Washer, B-0100 Hose Barrel
6	B-0044-H2A	44" Stainless Steel Flexible Hose (Less Handle)
7	000888-45	EasyInstall Overhead Spring
8	000821-40	Spring Body
9	004R	Finger Hook
10	B-0109-01	6" Wall Bracket
11	000369-40	3/8" NPT x 18" Riser
12	B-0155-CR-LN	Add-On Faucet w/ Cerama Cartridge & Lever handle (Less Nozzle)
13	000358-40	3/8" NPT x 3" Riser
14	B-0970-FEZ	3/8" NPT EasyInstall Vacuum Breaker
15	001661-45	Red Index-HW
16	014200-45	Star Washer, Anti-Rotation
17	000922-45	Lever Handle Screw
18	001660-45	Blue Index-CW
19	012447-25	Cerama Cartridge, LTC w/ Check Valve, Handle, Index & Screw
20	012395-25	Cerama Cartridge, LTC w/ Check Valve
21	001019-45	Coupling Nut Washer
22	00AA	1/2" NPT Female Eccentric Flange
23	B-0425-M	1/2" NPT Supply Nipple Kit (2)
24	012394-25	Cerama Cartridge, RTC w/ Check Valve
25	012446-25	Cerama Cartridge, RTC w/ Check Valve, Handle, Index & Screw
26	001638-45	Lever Handle
27	011278-25	Cerama Cartridge RTC
28	B-PT	Stream Regulator Outlet
29	001048-45	Nozzle Tip Washer
30	062X	12" Swing Nozzle w/ B-PT Stream Regulator Outlet

**Product Specifications:**

**EasyInstall Pre-Rinse Unit:**

8" Deck Mount Mixing Faucet, Cerama Cartridges w/ Check Valves, Lever Handle, Vacuum Breaker, Add-On Faucet w/ Cerama Cartridge, 18" Riser, 6" Wall Bracket, 44" Stainless Steel Flexible Hose, 1.42 GPM Spray Valve, 12" Swing Nozzle, & 1/2" NPT Female Inlets

Drawn

**DHL**

Checked

**DMH**

Approved

**JHB**

Scale:

**NTS**

Date:

**05/22/13**