



T&S BRASS AND BRONZE WORKS, INC.

2 Saddleback Cove / P.O. Box 1088
Travelers Rest, SC 29690

Model No.

B-2278-01

Item No.

Travelers Rest, SC: 800-476-4103 • Simi Valley, CA: 800-423-0150 • Fax: 864-834-3518 • www.tsbrass.com

This Space for Architect/Engineer Approval

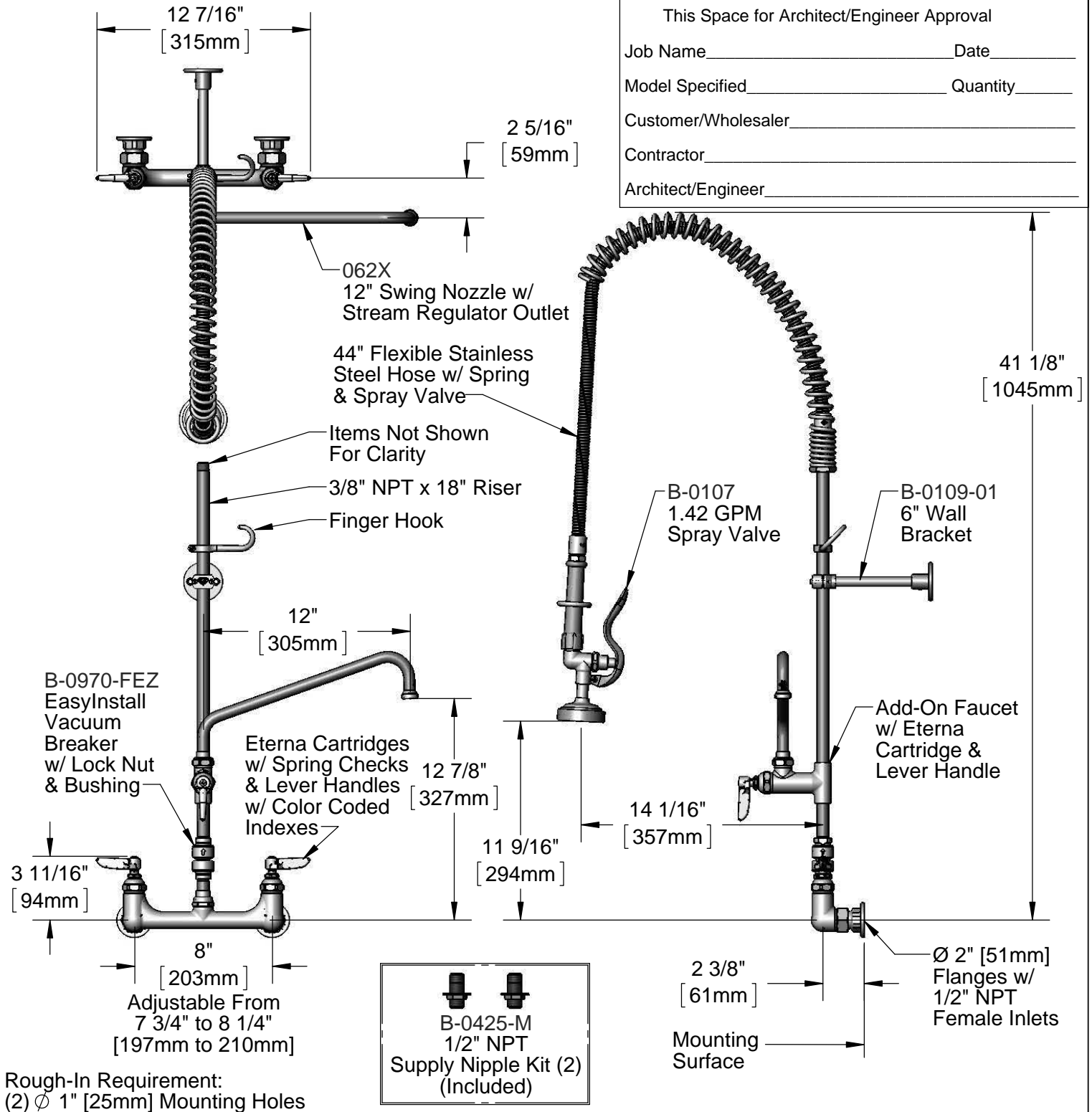
Job Name _____ Date _____

Model Specified _____ Quantity _____

Customer/Wholesaler _____

Contractor _____

Architect/Engineer _____



Rough-In Requirement:
(2) Ø 1" [25mm] Mounting Holes

Product Specifications:

Pre-Rinse Unit: EasyInstall 8" Wall Mount Mixing Faucet, Eterna Cartridges w/ Spring Checks, Lever Handles, Add-On Faucet, 12" Swing Nozzle, 44" Flexible Stainless Steel Hose, 1.42 GPM Spray Valve, 3/8" NPT Vacuum Breaker, 6" Wall Bracket & 1/2" NPT Female Inlets

Product Compliance:

ASME A112.18.1 / CSA B125.1
NSF 61 - Section 9
NSF 372 (Low Lead Content)
EPA Act 2005 (PRSV)
CSA B64.8 (VB)



T&S BRASS AND BRONZE WORKS, INC.

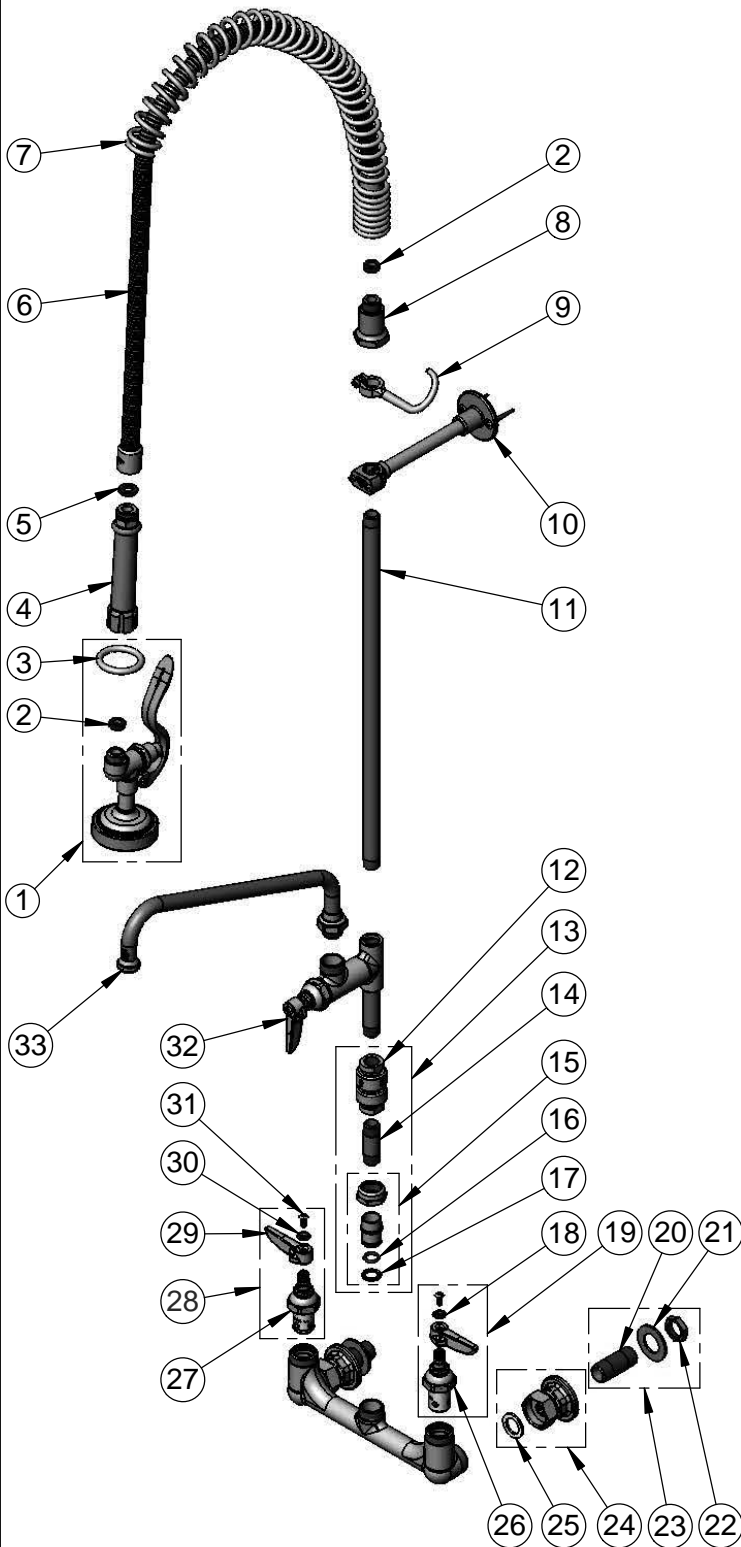
2 Saddleback Cove / P.O. Box 1088
Travelers Rest, SC 29690

Model No.

B-2278-01

Item No.

Travelers Rest, SC: 800-476-4103 • Simi Valley, CA: 800-423-0150 • Fax: 864-834-3518 • www.tsbrass.com



ITEM NO.	SALES NO.	DESCRIPTION
1	B-0107	1.42 GPM Spray Valve
2	010476-45	#27 Washer
3	000907-45	Spray Valve Hold Down Ring
4	002987-40	Grip Handle
5	001014-45	Washer, B-0100 Hose Barrel
6	B-0044-H2A	44" Flexible Stainless Steel Hose, Less Handle
7	000888-45	EasyInstall Overhead Spring
8	000821-40	Spring Body
9	004R	Finger Hook
10	B-0109-01	6" Wall Bracket
11	000369-40	3/8" NPT x 18" Riser
12	B-0970-FE	3/8" NPT Vacuum Breaker
13	B-0970-FEZ	EasyInstall 3/8" NPT Vacuum Breaker
14	000357-40	3/8" NPT x 2" Riser
15	EZ-K	EasyInstall Kit: Nut, Bushing, O-ring & Lock Washer
16	001065-45	O-Ring
17	014200-45	Star Washer, Anti-Rotation
18	001660-45	Blue Index-CW
19	002711-40	Eterna Cartridge, LTC w/ Spring Check, Handle, Index & Screw
20	000422-20	1/2" NPT Supply Nipple
21	000999-45	Brass Lock Washer
22	002954-45	Shank Lock Nut
23	B-0425-M	1/2" NPT Supply Nipple Kit (2)
24	00AA	1/2" NPT Female Eccentric Flange
25	001019-45	Coupling Nut Washer
26	012442-40	Eterna Cartridge, LTC w/ Spring Check
27	012443-40	Eterna Cartridge, RTC w/ Spring Check
28	002712-40	Eterna Cartridge, RTC w/ Spring Check, Handle, Index & Screw
29	001638-45	Lever Handle
30	001661-45	Red Index-HW
31	000922-45	Lever Handle Screw
32	B-0155-LN	Add-On Faucet, Less Nozzle
33	062X	12" Swing Nozzle

Product Specifications:

Pre-Rinse Unit: EasyInstall 8" Wall Mount Mixing Faucet, Eterna Cartridges w/ Spring Checks, Lever Handles, Add-On Faucet, 12" Swing Nozzle, 44" Flexible Stainless Steel Hose, 1.42 GPM Spray Valve, 3/8" NPT Vacuum Breaker, 6" Wall Bracket & 1/2" NPT Female Inlets

Product Compliance:

ASME A112.18.1 / CSA B125.1
NSF 61 - Section 9
NSF 372 (Low Lead Content)
EPA Act 2005 (PRSV)
CSA B64.8 (VB)