



# T&S BRASS AND BRONZE WORKS, INC.

2 Saddleback Cove / P.O. Box 1088  
Travelers Rest, SC 29690

Model No.

**B-2278-0440-CR**

Item No.

Travelers Rest, SC: 800-476-4103 • Simi Valley, CA: 800-423-0150 • Fax: 864-834-3518 • www.tsbrass.com

This Space for Architect/Engineer Approval

Job Name \_\_\_\_\_ Date \_\_\_\_\_

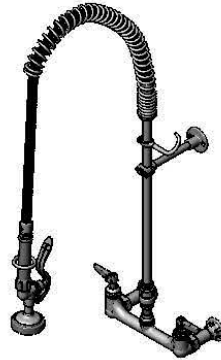
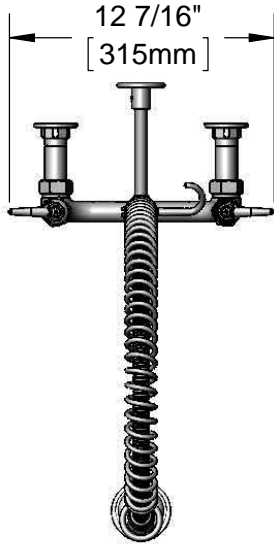
Model Specified \_\_\_\_\_ Quantity \_\_\_\_\_

Customer/Wholesaler \_\_\_\_\_

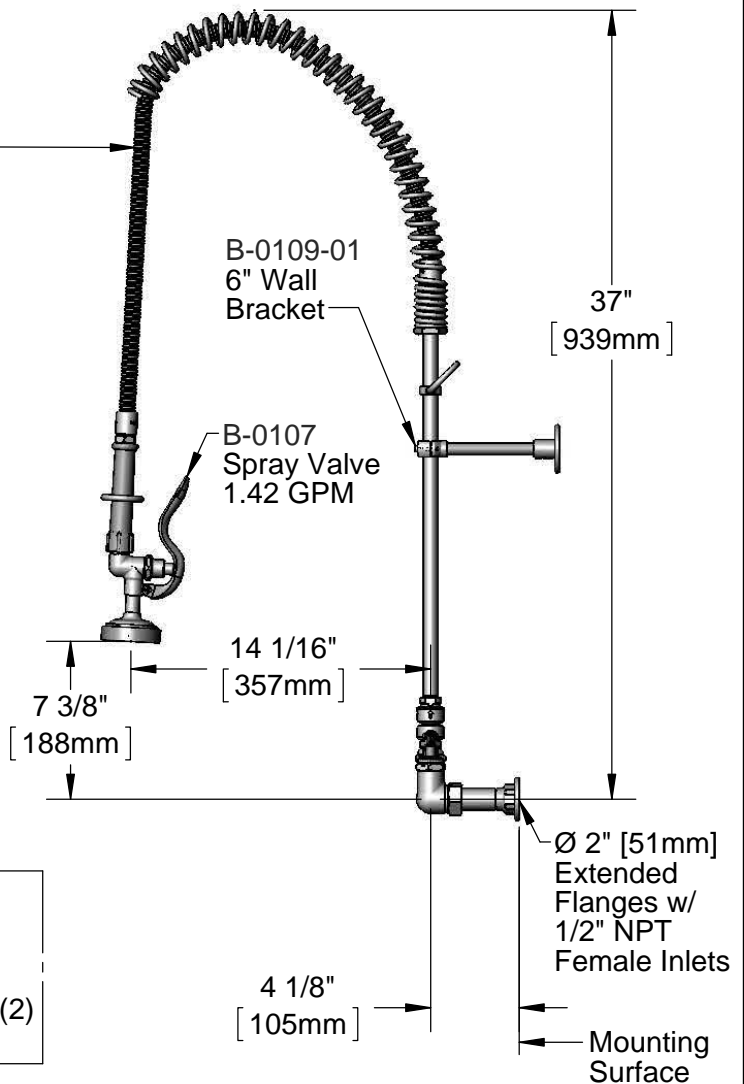
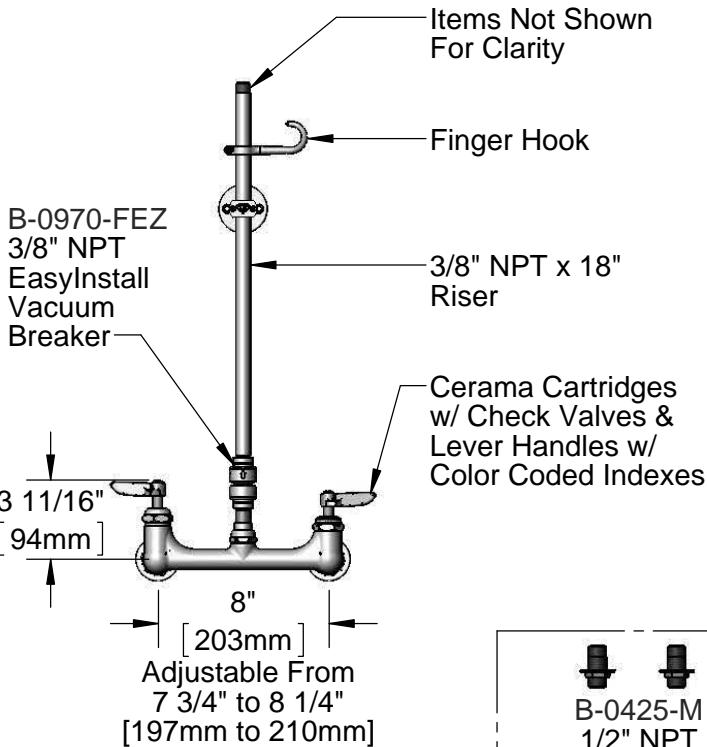
Contractor \_\_\_\_\_

Architect/Engineer \_\_\_\_\_

**EPAct 2005 Compliant**



44" Stainless Steel Flexible Hose w/ Spring & Spray Valve



**Product Specifications:**

**EasyInstall Pre-Rinse Unit:**  
8" Wall Mount Mixing Faucet, Cerama Cartridges w/ Check Valves, Lever Handle, Vacuum Breaker, 18" Riser, 44" Stainless Steel Flexible Hose, 1.42 GPM Spray Valve, 6" Wall Brackets, & 1/2" NPT Female Extended Flange Inlets

Drawn <b>DHL</b>	Checked <b>DMH</b>	Approved <b>JHB</b>
Scale: <b>1:9</b>		Date: <b>05/22/13</b>



# T&S BRASS AND BRONZE WORKS, INC.

2 Saddleback Cove / P.O. Box 1088  
Travelers Rest, SC 29690

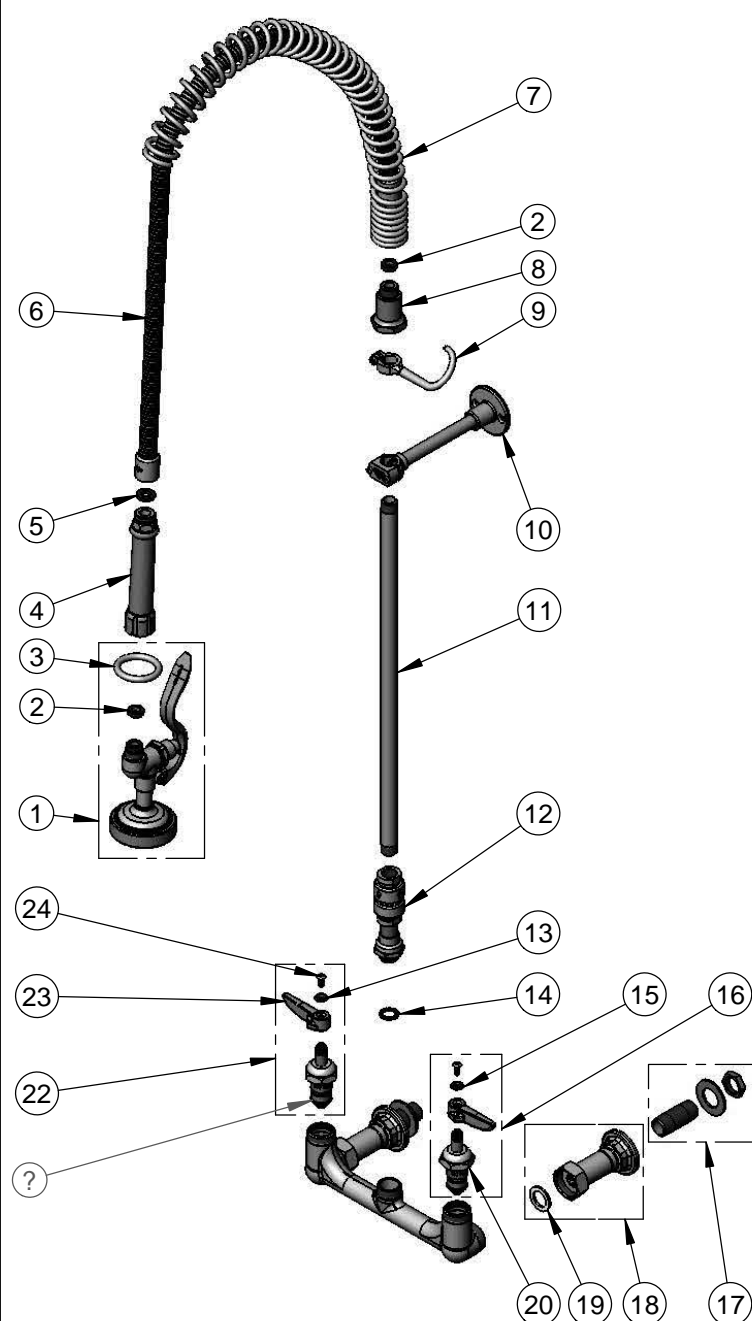
Model No.

**B-2278-0440-CR**

Item No.

Travelers Rest, SC: 800-476-4103 • Simi Valley, CA: 800-423-0150 • Fax: 864-834-3518 • www.tsbrass.com

ITEM NO.	SALES NO.	DESCRIPTION
2	010476-45	#27 Washer
3	000907-45	Spray Valve Hold Down Ring
4	002987-40	Gray Handle Grip
5	001014-45	Washer, B-0100 Hose Barrel
6	B-0044-H2A	44" Stainless Steel Flexible Hose (Less Handle)
7	000888-45	EasyInstall Overhead Spring
8	000821-40	Spring Body
9	004R	Finger Hook
10	B-0109-01	6" Wall Bracket
11	000369-40	3/8" NPT x 18" Riser
12	B-0970-FEZ	3/8" NPT EasyInstall Vacuum Breaker
13	001661-45	Red Index-HW
14	014200-45	Star Washer, Anti-Rotation
15	001660-45	Blue Index-CW
16	012447-25	Cerama Cartridge, LTC w/ Check Valve, Handle, Index & Screw
17	B-0425-M	1/2" NPT Supply Nipple Kit (2
18	B-0440	1/2" NPT Female Eccentric Flange Extension
19	001019-45	Coupling Nut Washer
20	012395-25	Cerama Cartridge, LTC w/ Check Valve
21	012394-25	Cerama Cartridge, RTC w/ Check Valve
22	012446-25	Cerama Cartridge, RTC w/ Check Valve, Handle, Index & Screw
23	001638-45	Lever Handle
24	000922-45	Lever Handle Screw



Product Specifications:  
**EasyInstall Pre-Rinse Unit:**  
 8" Wall Mount Mixing Faucet, Cerama Cartridges w/ Check Valves,  
 Lever Handle, Vacuum Breaker, 18" Riser, 44" Stainless Steel  
 Flexible Hose, 1.42 GPM Spray Valve, 6" Wall Brackets, & 1/2" NPT  
 Female Extended Flange Inlets

Drawn	Checked	Approved
<b>DHL</b>	<b>DMH</b>	<b>JHB</b>
Scale:		Date:
<b>NTS</b>		<b>05/22/13</b>