



# T&S BRASS AND BRONZE WORKS, INC.

2 Saddleback Cove / P.O. Box 1088  
Travelers Rest, SC 29690



REG. #A2601  
ISO #9001

Model No.

**B-2278-A12CRCEL**

Item No.

Travelers Rest, SC: 800-476-4103 • Simi Valley, CA: 800-423-0150 • Fax: 864-834-3518 • www.tsbrass.com

This Space for Architect/Engineer Approval

Job Name \_\_\_\_\_ Date \_\_\_\_\_

Model Specified \_\_\_\_\_ Quantity \_\_\_\_\_

Customer/Wholesaler \_\_\_\_\_

Contractor \_\_\_\_\_

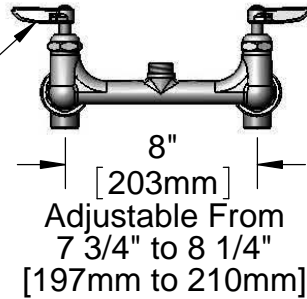
Architect/Engineer \_\_\_\_\_

## EPAct2005 COMPLIANT



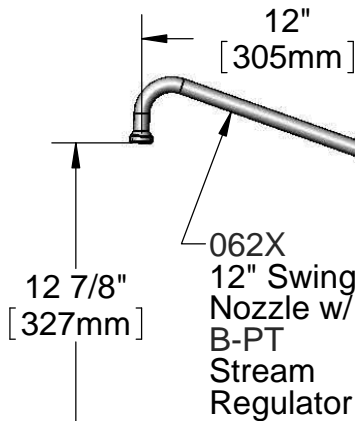
B-0044-H  
Flex Hose w/  
Overhead Spring &  
Spray Valve Assembly

Cerama Cartridges w/  
Check Valves &  
Lever Handles w/  
Color Coded Indexes



Flex Hose, Overhead  
Spring, Wall Bracket  
& Spray Valve Not  
Shown For Clarity.

004R  
Finger Hook



B-0970-FEZ  
Vacuum Breaker

000369-40  
3/8" x 18"  
Riser

B-0107-C  
Low Flow 0.65  
GPM Spray  
Valve

B-0109-01  
Wall  
Bracket

14 1/8"  
[358mm]

Add-On Faucet  
w/ Cerama  
Cartridge & Lever  
Handle

Mounting  
Surface

10 3/4"  
[274mm]

2 3/8"  
[61mm]

006895-20  
Short El w/ 1/2"  
NPT Female Inlets

4 11/16"  
[120mm]

Ø 2" [51mm] Flanges w/  
1/2" NPT Female Inlets  
When Short Els Are Removed

1 7/16"  
[36mm]

**Product Specifications:**

EasyInstall Pre-Rinse 8" c/c Wall Mount Faucet, Short El w/ 1/2" NPT Female Inlets, 18" Riser, Vacuum Breaker, Add-On Faucet w/ 12" Swing Nozzle, 44" Flex Hose w/ Low Flow Spray Valve & 6" Wall Support

Drawn

**DHL**

Checked

**JRM**

Approved

**JHB**

Scale:

**1:8**

Date:

**07/05/11**



# T&S BRASS AND BRONZE WORKS, INC.

2 Saddleback Cove / P.O. Box 1088  
Travelers Rest, SC 29690



REG. #A2601  
ISO #9001

Model No.

**B-2278-A12CRCEL**

Item No.

Travelers Rest, SC: 800-476-4103 • Simi Valley, CA: 800-423-0150 • Fax: 864-834-3518 • www.tsbrass.com

	ITEM NO.	SALES NO.	DESCRIPTION
	1	B-0107-C	0.65 GPM Low Flow Spray Valve
	2	010476-45	#27 Washer
	3	000907-45	Spray Valve Hold Down Ring
	4	002987-40	Grip Handle Assembly
	5	001014-45	Washer, B-0100 Hose Barrel
	6	B-0044-H2A	44" Flex Stainless Steel Hose (Less Handle)
	7	000888-45	EasyInstall Overhead Spring
	8	000821-40	Spring Body
	9	004R	Finger Hook Assembly
	10	B-0109-01	6" Wall Support
	11	000369-40	3/8" NPT x 18" Long Riser
	12	062X	12" Swing Nozzle w/ B-PT Stream Regulator
	13	B-0970-FEZ	EasyInstall Vacuum Breaker
	14	014200-45	Star Washer, Anti-Rotation
	15	000922-45	Lever Handle Screw
	16	001660-45	Blue Index-CW
	17	006895-20	1/2" NPT Fem x Fem Short EI
	18	B-0425	1/2" NPT x 2" NPT Supply Nipple Kit
	19	002954-45	Shank Lock Nut
	20	000999-45	Brass Lock Washer
	21	00AA	1/2" NPT Female Flanged Inlet
	22	001019-45	Coupling Nut Washer
	23	012395-25	Cerama Cartridge, LTC w/ Check Valve
	24	011278-25	Cerama Cartridge RTC
	25	001661-45	Red Index-HW
	26	012394-25	Cerama Cartridge, RTC w/ Check Valve
	27	001638-45	Lever Handle
	28	B-PT	Stream Regulator
	29	001048-45	Nozzle Tip Washer

Product Specifications:  
EasyInstall Pre-Rinse 8" c/c Wall Mount Faucet, Short EI w/ 1/2" NPT Female Inlets, 18" Riser, Vacuum Breaker, Add-On Faucet w/ 12" Swing Nozzle, 44" Flex Hose w/ Low Flow Spray Valve & 6" Wall Support

Drawn <b>DHL</b>	Checked <b>JRM</b>	Approved <b>JHB</b>
Scale: <b>NTS</b>		Date: <b>07/05/11</b>