



T&S BRASS AND BRONZE WORKS, INC.

2 Saddleback Cove / P.O. Box 1088
 Travelers Rest, SC 29690



REG. #A2601
 ISO #9001

Model No.

B-2278-CR-C-EL

Item No.

Travelers Rest, SC: 800-476-4103 • Simi Valley, CA: 800-423-0150 • Fax: 864-834-3518 • www.tsbrass.com

This Space for Architect/Engineer Approval

Job Name _____ Date _____

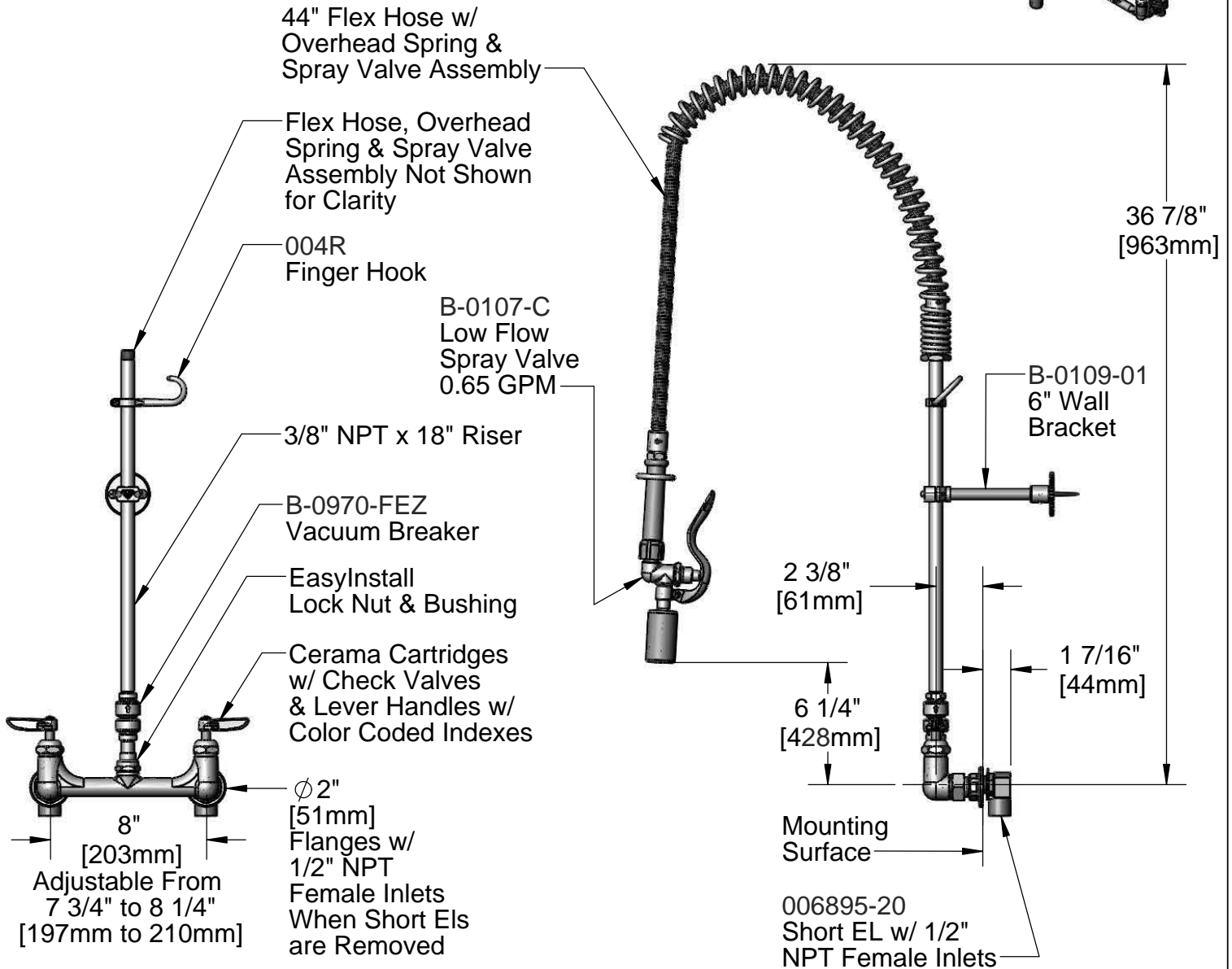
Model Specified _____ Quantity _____

Customer/Wholesaler _____

Contractor _____

Architect/Engineer _____

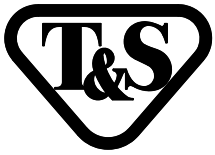
EPAct 2005 Compliant



Product Specifications:

EasyInstall Pre-Rinse: 8" c/c Wall Mount Faucet, Short EL w/ 1/2" NPT Female Inlets, 18" Riser, Vacuum Breaker, 44" Flex Hose, B-0107-C Spray Valve & Wall Bracket

Drawn DHL	Checked JRM	Approved JHB
Scale: 1:8		Date: 07/05/11



T&S BRASS AND BRONZE WORKS, INC.

2 Saddleback Cove / P.O. Box 1088
Travelers Rest, SC 29690



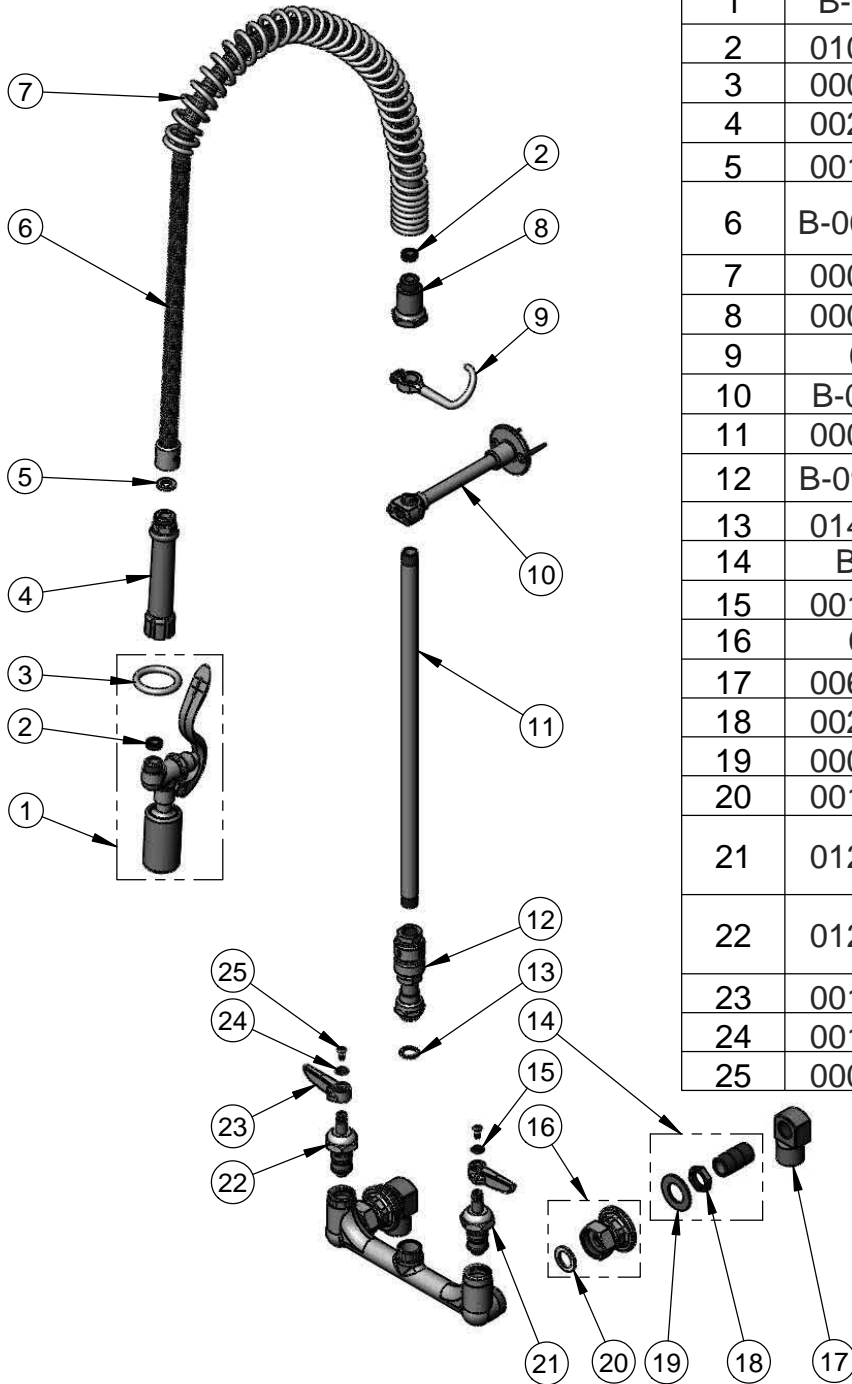
REG. #A2601
ISO #9001

Model No.

B-2278-CR-C-EL

Item No.

Travelers Rest, SC: 800-476-4103 • Simi Valley, CA: 800-423-0150 • Fax: 864-834-3518 • www.tsbrass.com



ITEM NO.	SALES NO.	DESCRIPTION
1	B-0107-C	0.65 gpm Low Flow Spray Valve
2	010476-45	#27 Washer
3	000907-45	Spray Valve Hold Down Ring
4	002987-40	Grip Handle Assembly
5	001014-45	Washer, B-0100 Hose Barrel
6	B-0044-H2A	44" Flex Stainless Steel Hose (Less Handle)
7	000888-45	EasyInstall Overhead Spring
8	000821-40	Spring Body
9	004R	Finger Hook Assembly
10	B-0109-01	6" Wall Support
11	000369-40	3/8" NPT x 18" Long Riser
12	B-0970-FEZ	EasyInstall Vacuum Breaker
13	014200-45	Star Washer, Anti-Rotation
14	B-0425	1/2" x 2" Supply Nipple Kit
15	001660-45	Blue Index-CW
16	00AA	1/2" NPT Flange
17	006895-20	1/2" NPT Fem x Fem Short El
18	002954-45	Shank Lock Nut
19	000999-45	Brass Lock Washer
20	001019-45	Coupling Nut Washer
21	012395-25	Cerama Cartridge, LTC w/ Check Valve
22	012394-25	Cerama Cartridge, RTC w/ Check Valve
23	001638-45	Lever Handle
24	001661-45	Red Index-HW
25	000922-45	Lever Handle Screw

Product Specifications:

EasyInstall Pre-Rinse: 8" c/c Wall Mount Faucet, Short EL w/ 1/2" NPT Female Inlets, 18" Riser, Vacuum Breaker, 44" Flex Hose, B-0107-C Spray Valve & Wall Bracket

Drawn

DHL

Checked

JRM

Approved

JHB

Scale:

NTS

Date:

07/05/11