



# T&S BRASS AND BRONZE WORKS, INC.

2 Saddleback Cove / P.O. Box 1088  
Travelers Rest, SC 29690

Model No.

**B-2280-CR**

Item No.

Travelers Rest, SC: 800-476-4103 • Simi Valley, CA: 800-423-0150 • Fax: 864-834-3518 • www.tsbrass.com

This Space for Architect/Engineer Approval

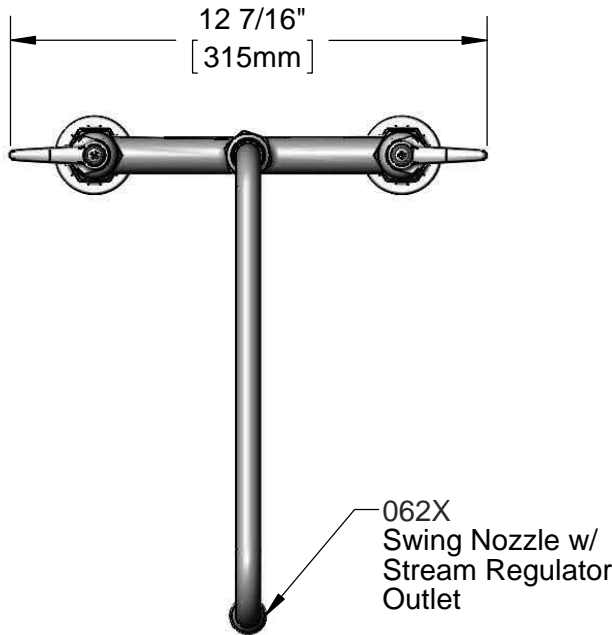
Job Name \_\_\_\_\_ Date \_\_\_\_\_

Model Specified \_\_\_\_\_ Quantity \_\_\_\_\_

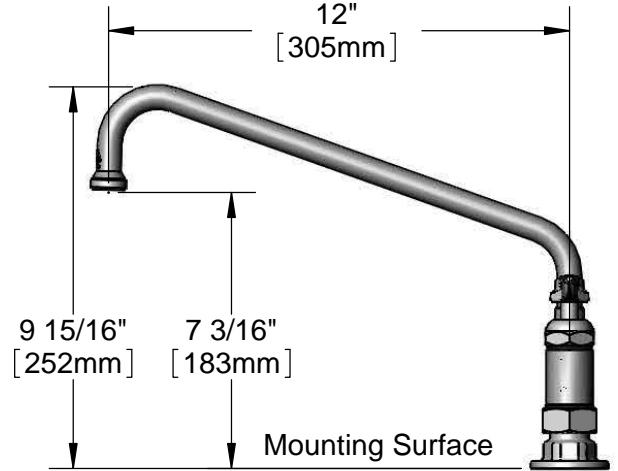
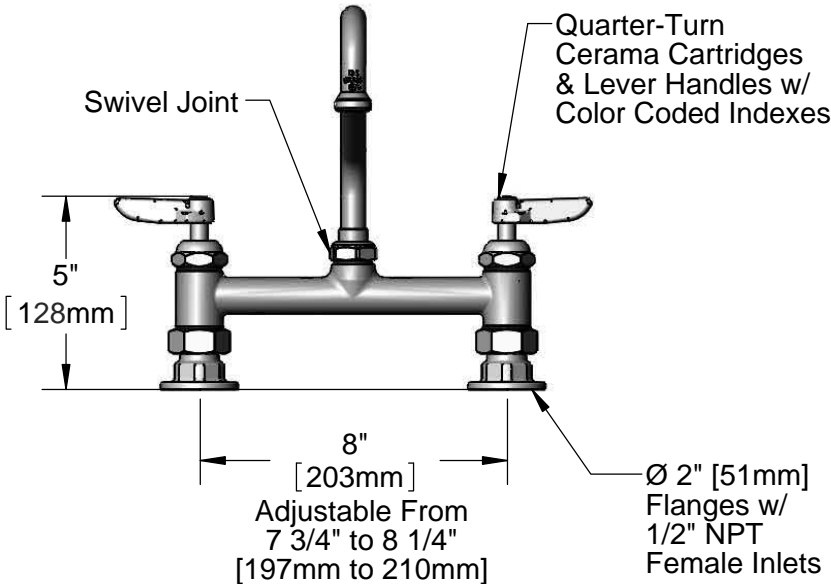
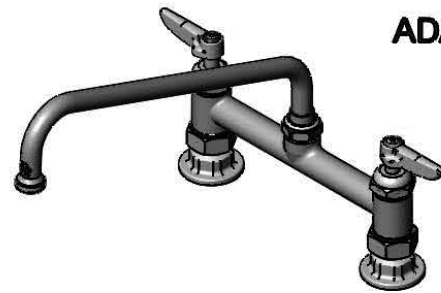
Customer/Wholesaler \_\_\_\_\_

Contractor \_\_\_\_\_

Architect/Engineer \_\_\_\_\_



**ADA Compliant**



**B-0425-M**  
1/2" NPT  
Supply Nipple Kit (2)  
(Included)

**Rough-In Requirement:**  
(2)  $\phi$  1" [25mm] Mounting Holes

**Product Specifications:**  
8" Deck Mount Mixing Faucet, Quarter-Turn Cerama Cartridges, 12" Swing Nozzle, Lever Handles & 1/2" NPT Female Inlets

**Product Compliance:**  
ASME A112.18.1 / CSA B125.1  
NSF 61 - Section 9  
NSF 372 (Low Lead Content)  
ANSI A117.1 (ADA)



# T&S BRASS AND BRONZE WORKS, INC.

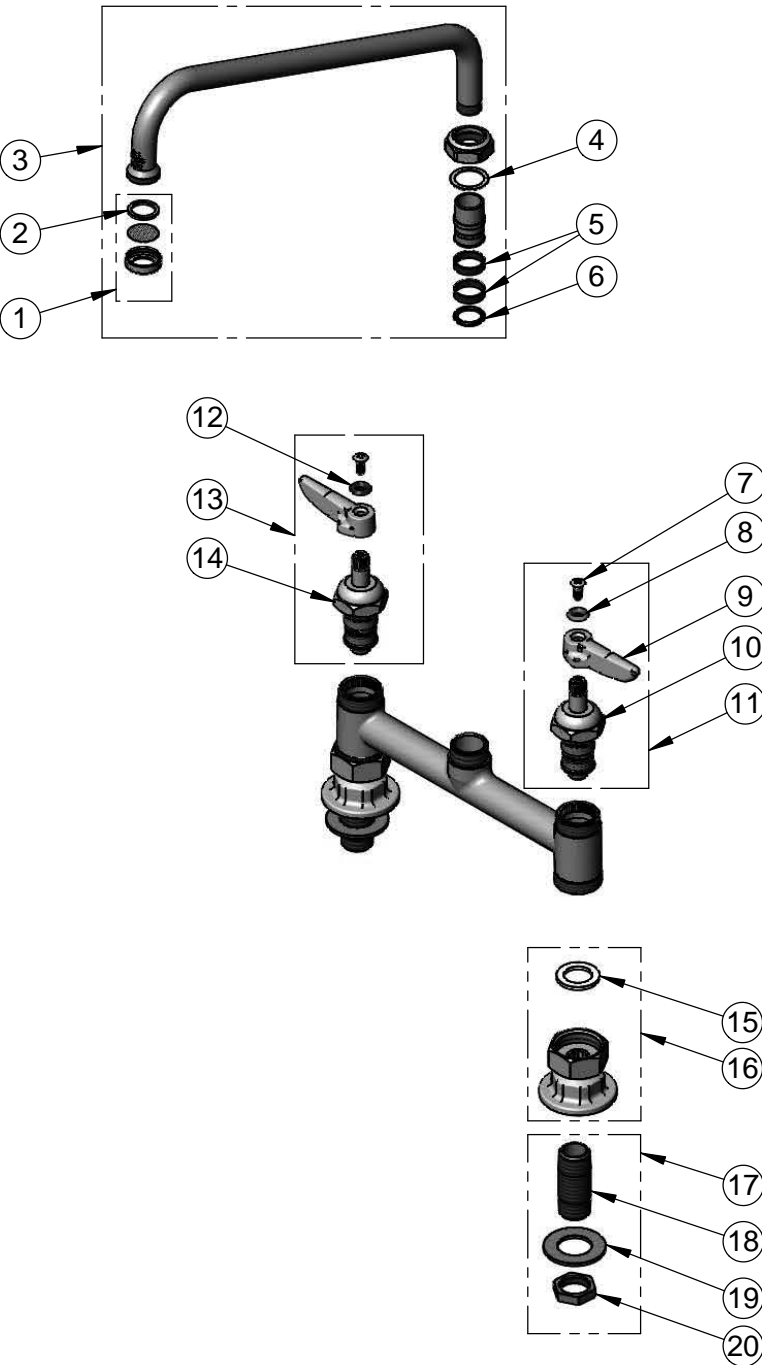
2 Saddleback Cove / P.O. Box 1088  
Travelers Rest, SC 29690

Model No.

**B-2280-CR**

Item No.

Travelers Rest, SC: 800-476-4103 • Simi Valley, CA: 800-423-0150 • Fax: 864-834-3518 • www.tsbrass.com



ITEM NO.	SALES NO.	DESCRIPTION
1	B-PT	Stream Regulator Outlet
2	001048-45	Nozzle Tip Washer
3	062X	12" Swing Nozzle
4	009538-45	Swivel Washer
5	011429-45	Swivel Sleeves (2)
6	001074-45	O-Ring
7	000922-45	Lever Handle Screw
8	001661-45	Red Index-HW
9	001638-45	Lever Handle
10	011279-25	Quarter-Turn Cerama Cartridge, LTC
11	012445-25	Quarter-Turn Cerama Cartridge, LTC w/ Lever Handle, Index & Screw
12	001660-45	Blue Index-CW
13	012444-25	Quarter-Turn Cerama Cartridge, RTC w/ Lever Handle, Index & Screw
14	011278-25	Quarter-Turn Cerama Cartridge, RTC
15	001019-45	Coupling Nut Washer
16	00AA	1/2" NPT Female Eccentric Flange
17	B-0425-M	1/2" NPT Supply Nipple Kit (2)
18	000422-20	1/2" NPT Supply Nipple
19	000999-45	Brass Lock Washer
20	002954-45	Shank Lock Nut

**Product Specifications:**

8" Deck Mount Mixing Faucet, Quarter-Turn Cerama Cartridges, 12" Swing Nozzle, Lever Handles & 1/2" NPT Female Inlets

**Product Compliance:**

ASME A112.18.1 / CSA B125.1  
NSF 61 - Section 9  
NSF 372 (Low Lead Content)  
ANSI A117.1 (ADA)