



**T&S BRASS AND BRONZE WORKS, INC.**  
 2 Saddleback Cove / P.O. Box 1088  
 Travelers Rest, SC 29690

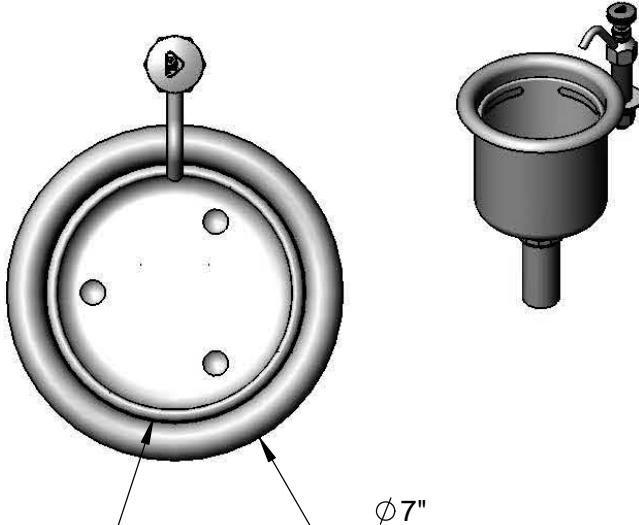
Model No.  
**B-2282-01-F05**

Item No.

Travelers Rest, SC: 800-476-4103 • Simi Valley, CA: 800-423-0150 • Fax: 864-834-3518 • www.tsbrass.com

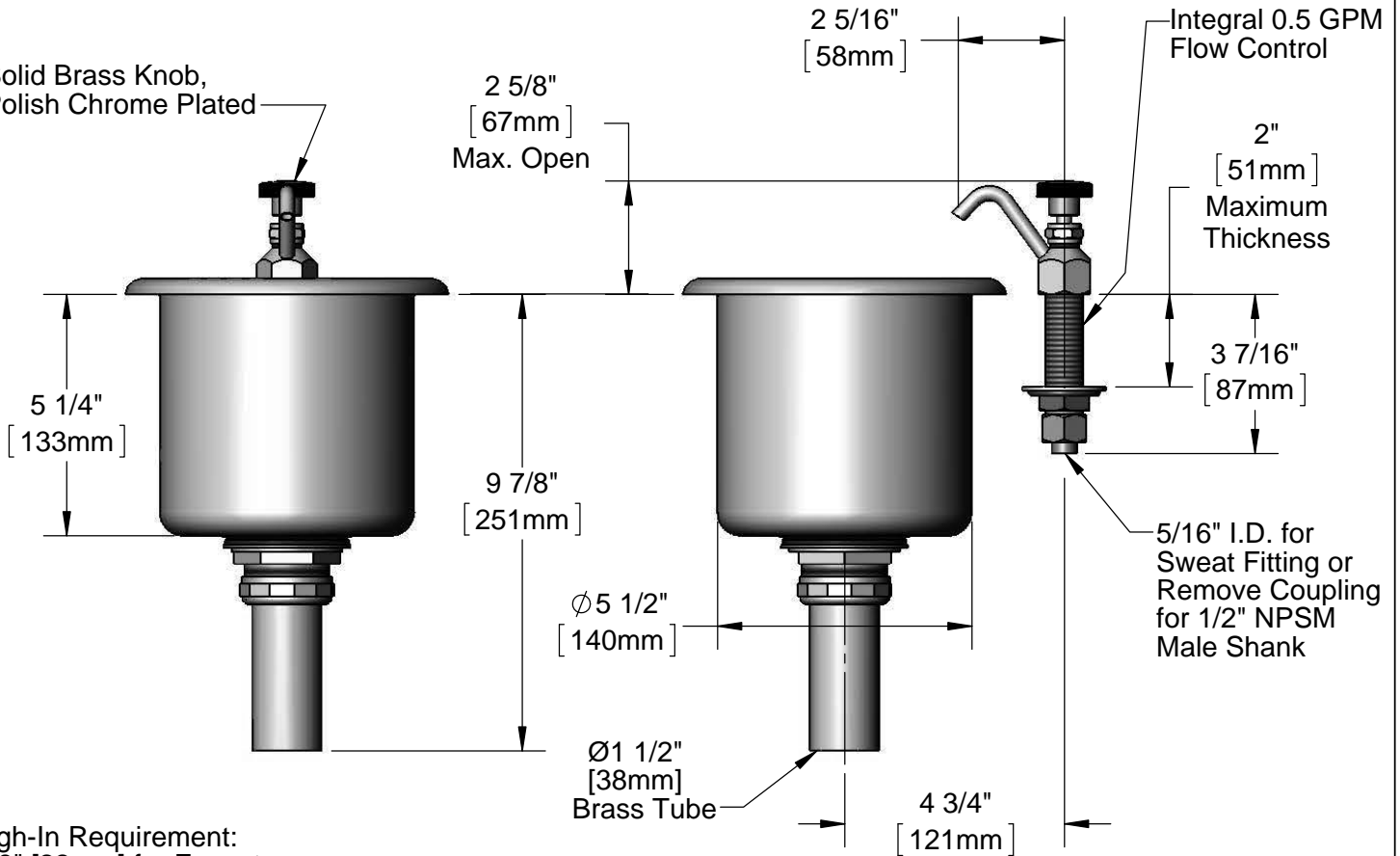
This Space for Architect/Engineer Approval

Job Name \_\_\_\_\_ Date \_\_\_\_\_  
 Model Specified \_\_\_\_\_ Quantity \_\_\_\_\_  
 Customer/Wholesaler \_\_\_\_\_  
 Contractor \_\_\_\_\_  
 Architect/Engineer \_\_\_\_\_



Removable Inner Overflow Cup  
 $\phi 7''$  [178mm]

Solid Brass Knob,  
 Polish Chrome Plated



Rough-In Requirement:  
 $\phi 7/8''$  [22mm] for Faucet  
 $\phi 5 3/4''$  [146mm] for Stainless Steel Bowl

Product Specifications:  
 Dipperwell Faucet w/ Drain, Stainless Steel Bowl,  
 Inner Overflow Cup & 0.5 GPM Flow Control

Drawn <b>DMH</b>	Checked <b>KJG</b>	Approved <b>JHB</b>
Scale: <b>1:4</b>		Date: <b>05/22/13</b>



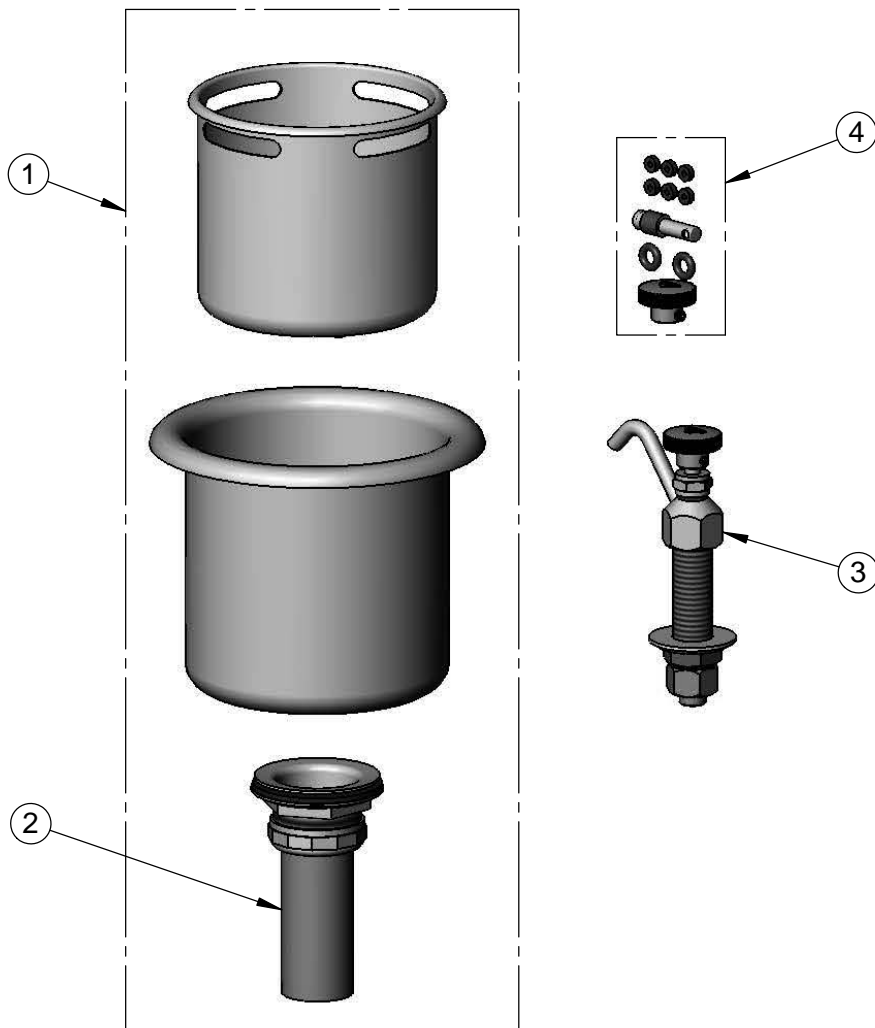
**T&S BRASS AND BRONZE WORKS, INC.**  
 2 Saddleback Cove / P.O. Box 1088  
 Travelers Rest, SC 29690

Model No.  
**B-2282-01-F05**

Item No.

Travelers Rest, SC: 800-476-4103 • Simi Valley, CA: 800-423-0150 • Fax: 864-834-3518 • www.tsbrass.com

ITEM NO.	SALES NO.	DESCRIPTION
1	006678-45	Dipperwell w/ Stainless Steel Overflow Cup & Drain
2	017225-45	Dipperwell Drain
3	B-2282-F05	Dipperwell Faucet w/ 0.5 GPM Flow Control
4	B-2282-RK	Parts Kit for Dipperwell



Product Specifications:  
 Dipperwell Faucet w/ Drain, Stainless Steel Bowl,  
 Inner Overflow Cup & 0.5 GPM Flow Control

Drawn <b>DMH</b>	Checked <b>KJG</b>	Approved <b>JHB</b>
Scale: <b>NTS</b>		Date: <b>05/22/13</b>