



# T&S BRASS AND BRONZE WORKS, INC.

2 Saddleback Cove / P.O. Box 1088  
Travelers Rest, SC 29690

Model No.

**B-2282-01**

Item No.

Travelers Rest, SC: 800-476-4103 • Simi Valley, CA: 800-423-0150 • Fax: 864-834-3518 • www.tsbrass.com

This Space for Architect/Engineer Approval

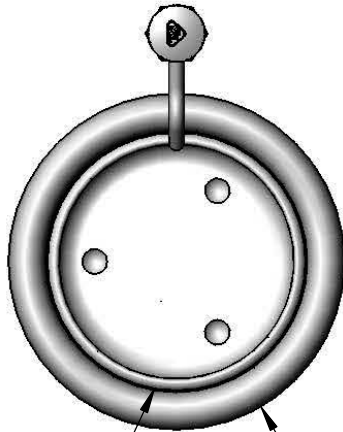
Job Name \_\_\_\_\_ Date \_\_\_\_\_

Model Specified \_\_\_\_\_ Quantity \_\_\_\_\_

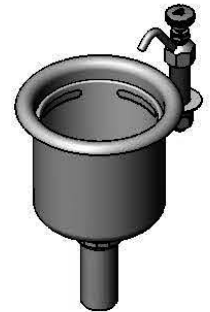
Customer/Wholesaler \_\_\_\_\_

Contractor \_\_\_\_\_

Architect/Engineer \_\_\_\_\_



Removable Inner Overflow Cup  $\phi 7"$  [178mm]



Solid Brass Knob, Polish Chrome Plated

2 5/8" [67mm] Maximum Open

2 5/16" [58mm]

2" [51mm] Maximum Thickness

5 1/4" [133mm]

9 7/8" [251mm]

3 7/16" [87mm]

$\phi 5 1/2"$  [140mm]

5/16" I.D. for Sweat Fitting or Remove Coupling for 1/2" NPSM Male Shank

$\phi 1 1/2"$  [38mm] Brass Tube

4 3/4" [121mm]

Rough-In Requirement:  
Faucet:  $\phi 7/8"$  [22mm] Mounting Hole  
Stainless Steel Bowl:  $\phi 5 3/4"$  [146mm] Mounting Hole

Product Specifications:  
Dipperwell Faucet w/ Drain, Stainless Steel Bowl & Inner Overflow Cup

Product Compliance:  
ASME A112.18.1 / CSA B125.1  
NSF 61 - Section 9  
NSF 372 (Low Lead Content)



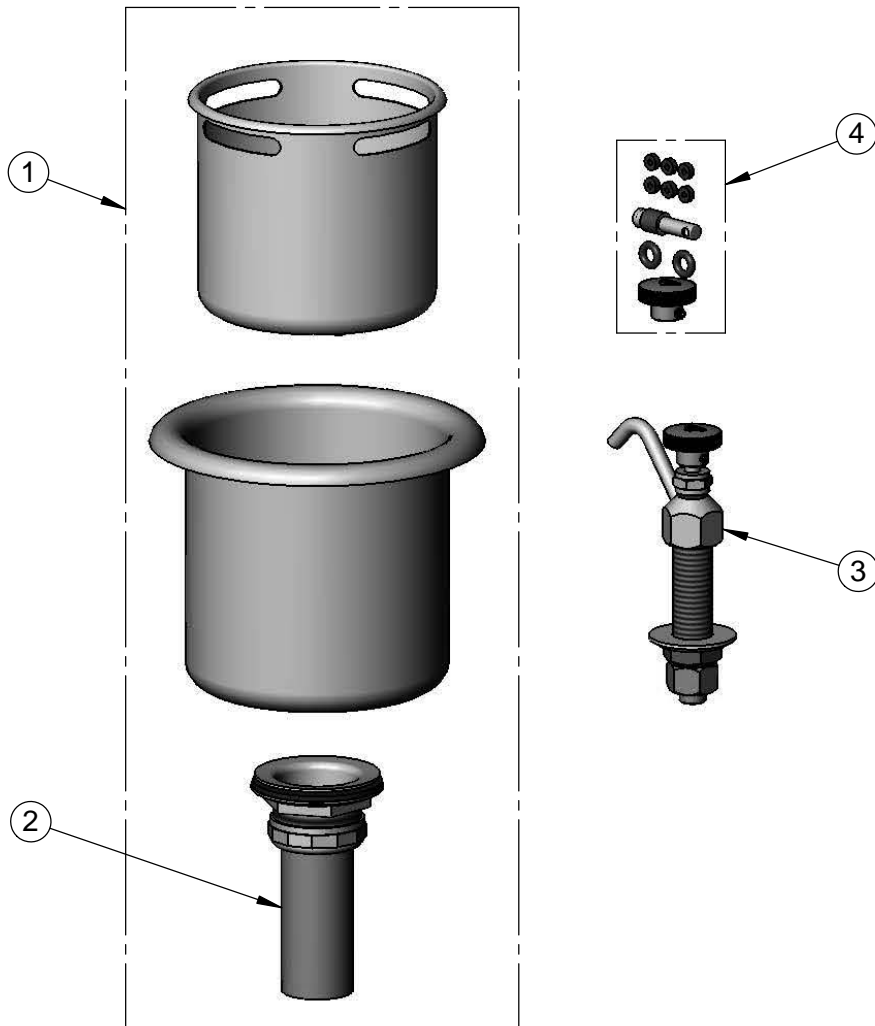
**T&S BRASS AND BRONZE WORKS, INC.**  
 2 Saddleback Cove / P.O. Box 1088  
 Travelers Rest, SC 29690

Model No.  
**B-2282-01**

Item No.

Travelers Rest, SC: 800-476-4103 • Simi Valley, CA: 800-423-0150 • Fax: 864-834-3518 • www.tsbrass.com

ITEM NO.	SALES NO.	DESCRIPTION
1	006678-45	Dipperwell w/ Stainless Steel Overflow Cup & Drain
2	017225-45	Dipperwell Drain
3	B-2282	Dipperwell Faucet
4	B-2282-RK	Parts Kit for Dipperwell



Product Specifications:  
 Dipperwell Faucet w/ Drain, Stainless Steel Bowl & Inner Overflow Cup

Product Compliance:  
 ASME A112.18.1 / CSA B125.1  
 NSF 61 - Section 9  
 NSF 372 (Low Lead Content)