



T&S BRASS AND BRONZE WORKS, INC.

2 Saddleback Cove / P.O. Box 1088
Travelers Rest, SC 29690

Model No.

B-2283-CR

Item No.

Travelers Rest, SC: 800-476-4103 • Simi Valley, CA: 800-423-0150 • Fax: 864-834-3518 • www.tsbrass.com



ADA Compliant

This Space for Architect/Engineer Approval

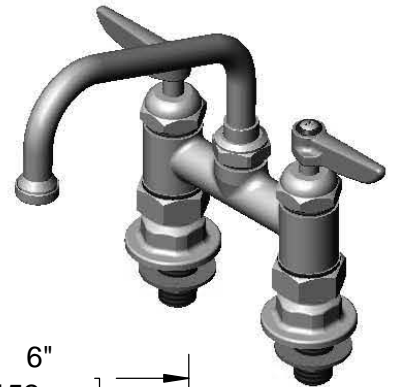
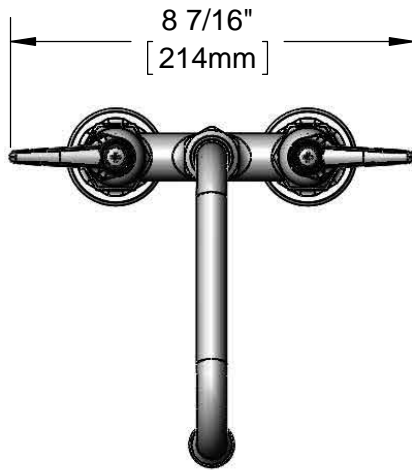
Job Name _____ Date _____

Model Specified _____ Quantity _____

Customer/Wholesaler _____

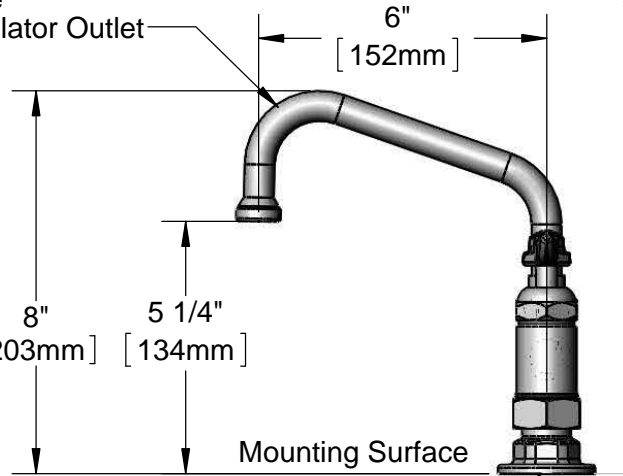
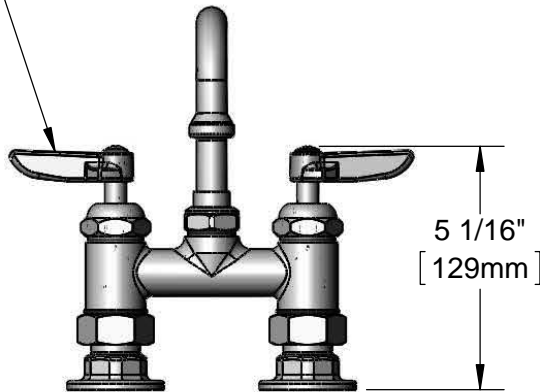
Contractor _____

Architect/Engineer _____



Cerama Cartridges
& Lever Handles w/
Color Coded Indexes

6" Swing Nozzle
w/ Stream Regulator Outlet



Adjustable from
3 3/4" to 4 1/4"
[95mm to 108mm]

Mounting Surface

Ø 2" [51mm]
Flanges w/
1/2" NPT
Female Inlets



B-0425-M
1/2" NPT
Supply Nipple Kit (2)
(Included)

Product Specifications:

4" Deck Mount Mixing Faucet, Cerama Cartridges, Lever Handles,
6" Swing Nozzle & 1/2" NPT Female Inlets w/ 1/2" Supply Nipple Kits

Drawn

DHL

Checked

DMH

Approved

JHB

Scale:

1:4

Date:

05/22/13



T&S BRASS AND BRONZE WORKS, INC.

2 Saddleback Cove / P.O. Box 1088
Travelers Rest, SC 29690

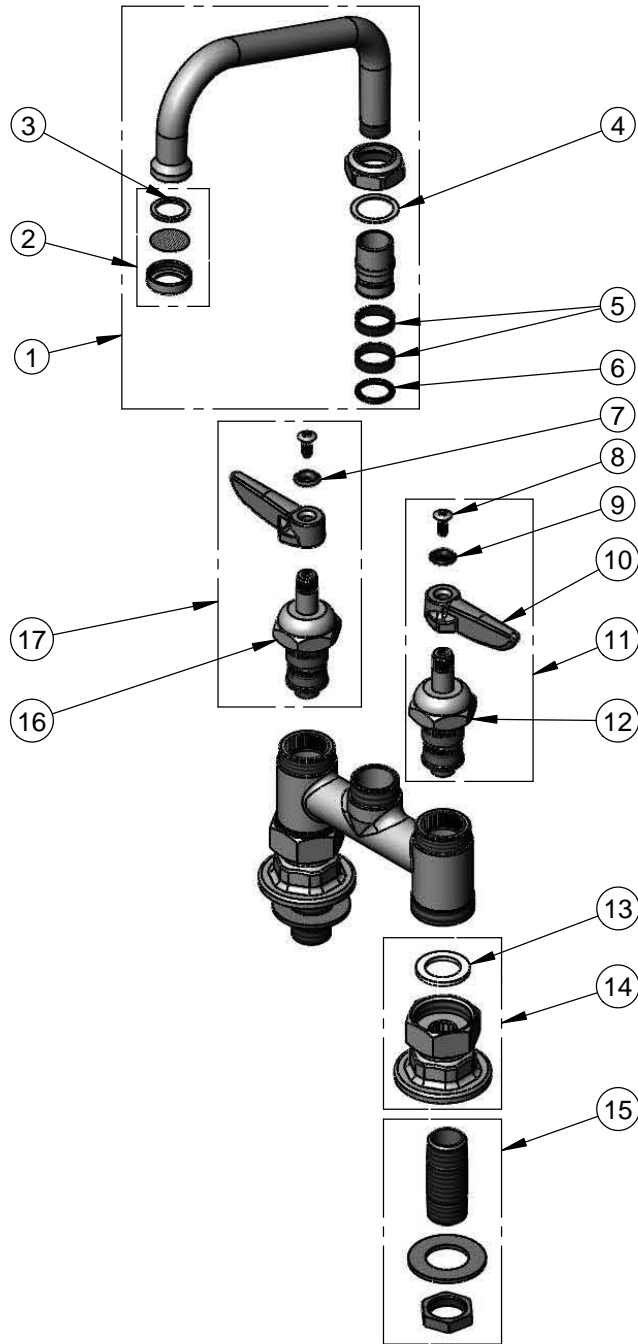
B-PT Index Ring Asm

Model No.

B-2283-CR

Item No.

Travelers Rest, SC: 800-476-4103 • Simi Valley, CA: 800-423-0150 • Fax: 864-834-3518 • www.tsbrass.com



ITEM NO.	SALES NO.	DESCRIPTION
1	059X	6" Swing Nozzle w/ Stream Regulator Outlet
2	B-PT	Stream Regulator Outlet
3	001048-45	Nozzle Tip Washer
4	009538-45	Swivel Washer
5	011429-45	Swivel Sleeves (2)
6	001074-45	O-Ring
7	001661-45	Red Index-HW
8	000922-45	Lever Handle Screw
9	001660-45	Blue Index-CW
10	001638-45	Lever Handle
11	012445-25	Cerama Cartridge, LTC w/ Handle, Index & Screw
12	011279-25	Cerama Cartridge, LTC
13	001019-45	Coupling Nut Washer
14	00AA	1/2" NPT Female Eccentric Flange
15	B-0425-M	1/2" NPT Supply Nipple Kit (2)
16	011278-25	Cerama Cartridge, RTC
17	012444-25	Cerama Cartridge, RTC w/ Handle, Index & Screw

Product Specifications:

4" Deck Mount Mixing Faucet, Cerama Cartridges, Lever Handles, 6" Swing Nozzle & 1/2" NPT Female Inlets w/ 1/2" Supply Nipple Kits

Drawn

DHL

Checked

DMH

Approved

JHB

Scale:

NTS

Date:

05/22/13