

T&S BRASS AND BRONZE WORKS, INC.
 2 Saddleback Cove / P.O. Box 1088
 Travelers Rest, SC 29690

Model No.
B-2301

Item No.

Travelers Rest, SC: 800-476-4103 • Simi Valley, CA: 800-423-0150 • Fax: 864-834-3518 • www.tsbrass.com



ADA Compliant

This Space for Architect/Engineer Approval

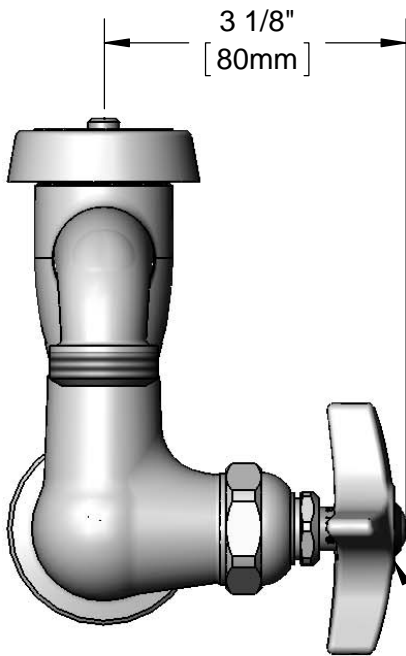
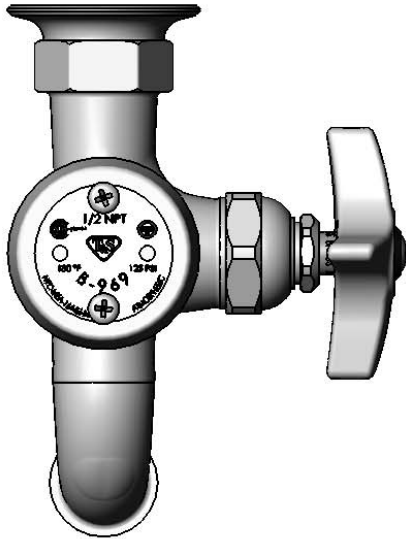
Job Name _____ Date _____

Model Specified _____ Quantity _____

Customer/Wholesaler _____

Contractor _____

Architect/Engineer _____



B-0969
 1/2" NPT
 Vacuum Breaker

3/4" Garden Hose
 Male Outlet

1 1/2"
 [38mm]

4 1/4"
 [109mm]

2 3/8"
 [61mm]

2 9/16"
 [66mm]

Mounting Surface
 Ø 2" [51mm]
 Flange w/
 1/2" NPT
 Female Inlet

Eterna Cartridge &
 4-Arm Handle w/
 Blue Color Coded Index

Product Specifications:

Polish Chrome Single Hole Wall Mount Sill Faucet, Eterna Cartridge, 1/2" NPT Vacuum Breaker, 3/4" Garden Hose Male Outlet, 4-Arm Handle & 1/2" NPT Female Inlet

Drawn

DHL

Checked

DMH

Approved

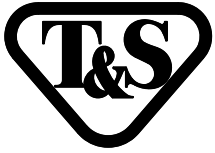
JHB

Scale:

1:2

Date:

11/02/12



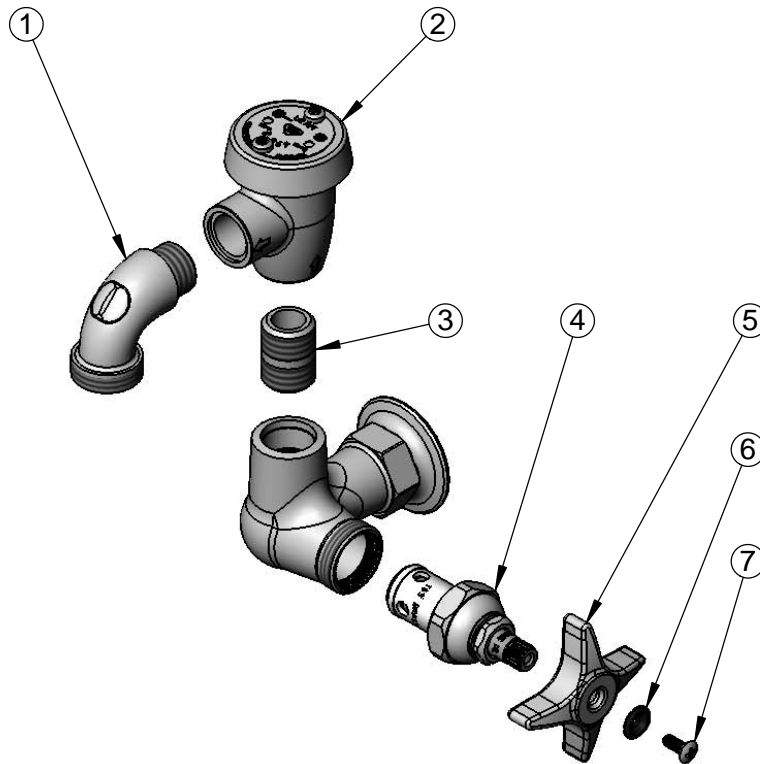
T&S BRASS AND BRONZE WORKS, INC.
 2 Saddleback Cove / P.O. Box 1088
 Travelers Rest, SC 29690

Model No.
B-2301

Item No.

Travelers Rest, SC: 800-476-4103 • Simi Valley, CA: 800-423-0150 • Fax: 864-834-3518 • www.tsbrass.com

ITEM NO.	SALES NO.	DESCRIPTION
1	001618-40	Spout, Short
2	B-0969	1/2" NPT Vacuum Breaker
3	002534-25	Close Nipple, 1/2" x 1 5/32" Lg Rough Chrome
4	005960-40	Eterna Cartridge, RTC
5	002521-45	4-Arm Handle
6	001660-45	Blue Index-CW
7	000922-45	Lever Handle Screw



Product Specifications:
 Polish Chrome Single Hole Wall Mount Sill Faucet, Eterna Cartridge,
 1/2" NPT Vacuum Breaker, 3/4" Garden Hose Male Outlet, 4-Arm
 Handle & 1/2" NPT Female Inlet

Drawn DHL	Checked DMH	Approved JHB
Scale: NTS		Date: 11/02/12