



# T&S BRASS AND BRONZE WORKS, INC.

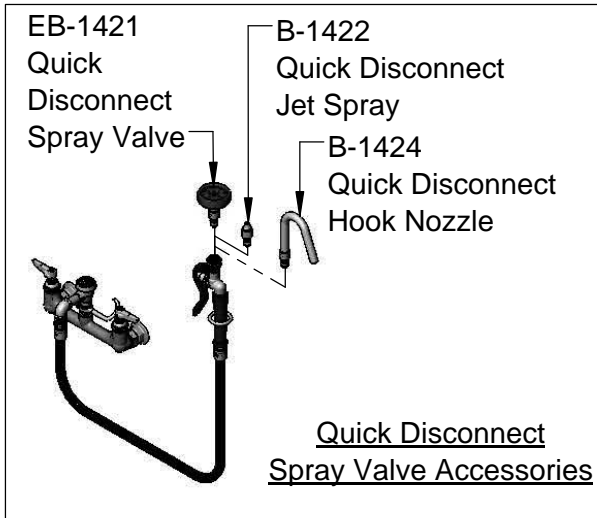
2 Saddleback Cove / P.O. Box 1088  
Travelers Rest, SC 29690

Model No.

**B-2312**

Item No.

Travelers Rest, SC: 800-476-4103 • Simi Valley, CA: 800-423-0150 • Fax: 864-834-3518 • www.tsbrass.com



This Space for Architect/Engineer Approval

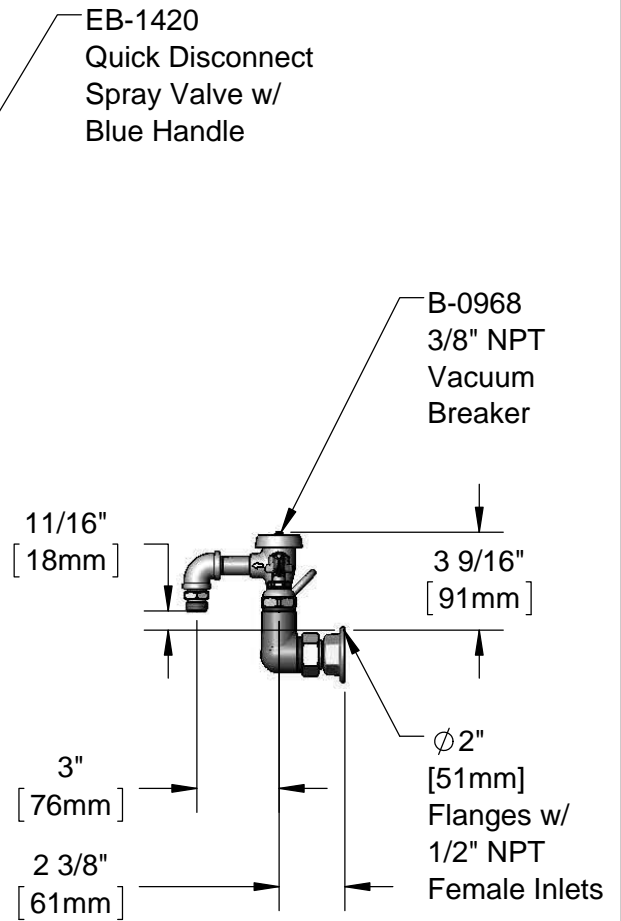
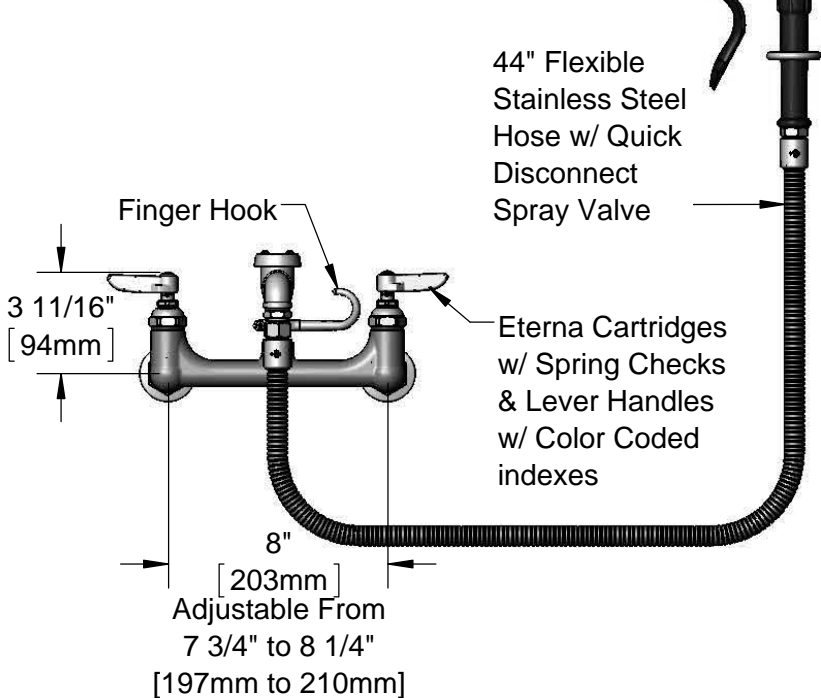
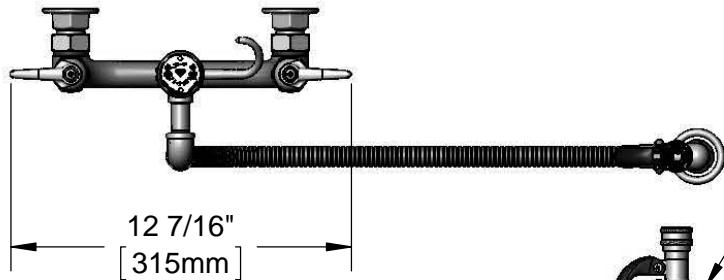
Job Name \_\_\_\_\_ Date \_\_\_\_\_

Model Specified \_\_\_\_\_ Quantity \_\_\_\_\_

Customer/Wholesaler \_\_\_\_\_

Contractor \_\_\_\_\_

Architect/Engineer \_\_\_\_\_



**Product Specifications:**  
8" Wall Mount Mixing Faucet, Eterna Cartridges w/ Spring Checks, Lever Handles, 3/8" NPT Vacuum Breaker, 44" Flexible Stainless Steel Blue Handle, Quick Disconnect Spray Valve w/ Blue Handle & Blue Quick Disconnect Spray Valve, Quick Disconnect Jet Spray, Quick Disconnect Hook Nozzle & 1/2" NPT Female Inlets

**Product Compliance:**  
ASME A112.18.1 / CSA B125.1  
NSF 61 - Section 9  
NSF 372 (Low Lead Content)  
ASSE 1001 (VB)  
EPA Act 2005 Non-Compliant (PRSV)

# T&S BRASS AND BRONZE WORKS, INC.

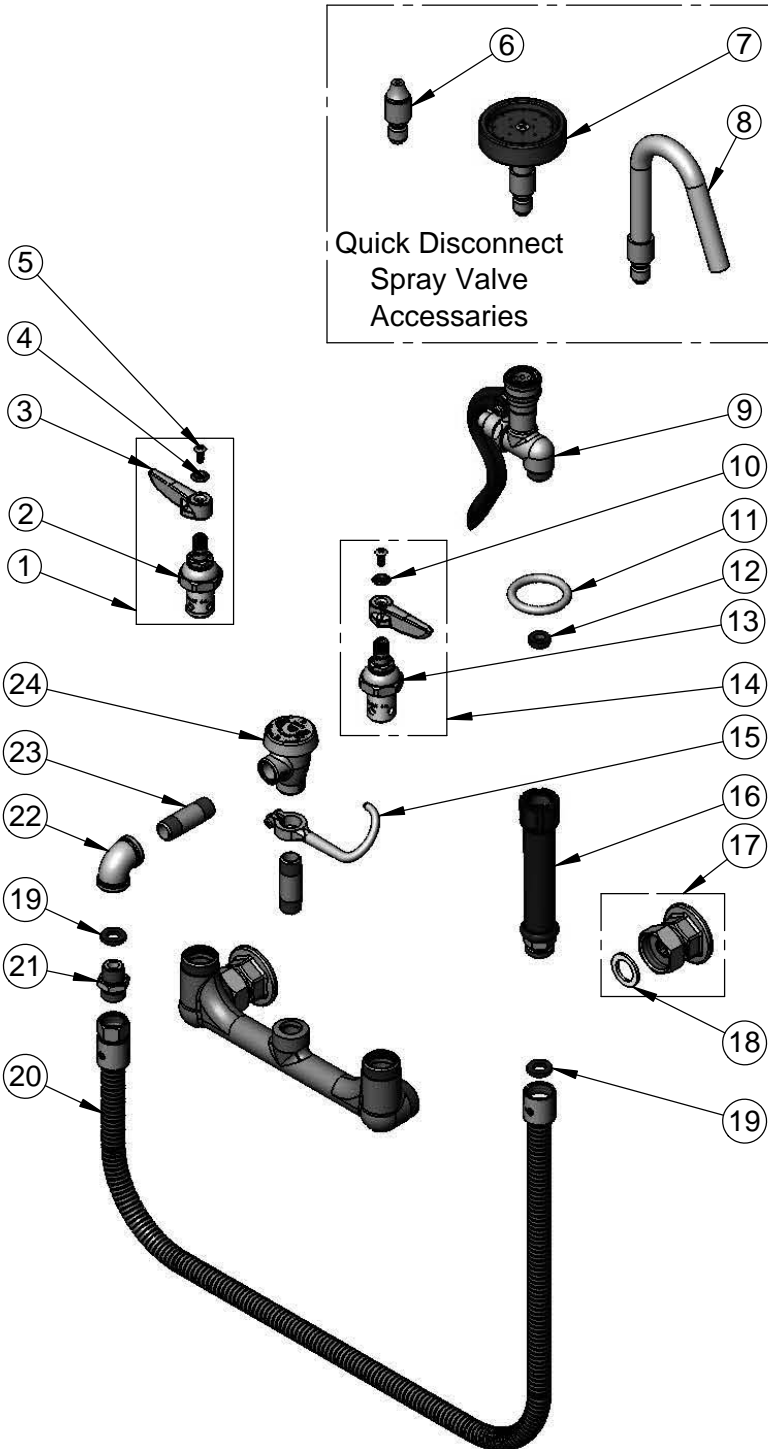
2 Saddleback Cove / P.O. Box 1088  
Travelers Rest, SC 29690

Model No.

**B-2312**

Item No.

Travelers Rest, SC: 800-476-4103 • Simi Valley, CA: 800-423-0150 • Fax: 864-834-3518 • www.tsbrass.com



ITEM NO.	SALES NO.	DESCRIPTION
1	002712-40	Eterna Cartridge, LTC w/ Spring Check, Handle, Index & Screw
2	012443-40	Eterna Cartridge, LTC w/ Spring Check
3	001638-45	Lever Handle
4	001661-45	Red Index-HW
5	000922-45	Lever Handle Screw
6	B-1422	Quick Disconnect Jet Spray
7	EB-1421	Quick Disconnect High Flow Spray
8	B-1424	Quick Disconnect Hook Nozzle
9	EB-1420	Quick Disconnect Spray Valve
10	001660-45	Blue Index-CW
11	000907-45	Spray Valve Hold Down Ring
12	010476-45	#27 Washer
13	012442-40	Eterna Cartridge, LTC w/ Spring Check
14	002711-40	Eterna Cartridge, LTC w/ Spring Check, Handle, Index & Screw
15	004R	Finger Hook
16	011482-45	Blue Grip Handle
17	00AA	1/2" NPT Female Eccentric Flange
18	001019-45	Coupling Nut Washer
19	001014-45	Washer, B-0100 Hose Barrel
20	B-0044-H2A	44" Flexible Stainless Steel Hose, Less Handle
21	053A	Adapter, 3/8" NPT Male
22	001355-40	Elbow, 3/8 NPT
23	000357-40	Nipple, 3/8" NPT x 2"
24	B-0968	3/8" Vacuum Breaker

**Product Specifications:**

8" Wall Mount Mixing Faucet, Eterna Cartridges w/ Spring Checks, Lever Handles, 3/8" NPT Vacuum Breaker, 44" Flexible Stainless Steel Blue Handle, Quick Disconnect Spray Valve w/ Blue Handle & Blue Quick Disconnect Spray Valve, Quick Disconnect Jet Spray, Quick Disconnect Hook Nozzle & 1/2" NPT Female Inlets

**Product Compliance:**

ASME A112.18.1 / CSA B125.1  
NSF 61 - Section 9  
NSF 372 (Low Lead Content)  
ASSE 1001 (VB)  
EPA Act 2005 Non-Compliant (PRSV)