

T&S BRASS AND BRONZE WORKS, INC.

2 Saddleback Cove / P.O. Box 1088
Travelers Rest, SC 29690



REG. #A2601
ISO #9001

Model No.

B-2320

Item No.

Travelers Rest, SC: 800-476-4103 • Simi Valley, CA: 800-423-0150 • Fax: 864-834-3518 • www.tsbrass.com

This Space for Architect/Engineer Approval

Job Name _____ Date _____

Model Specified _____ Quantity _____

Customer/Wholesaler _____

Contractor _____

Architect/Engineer _____

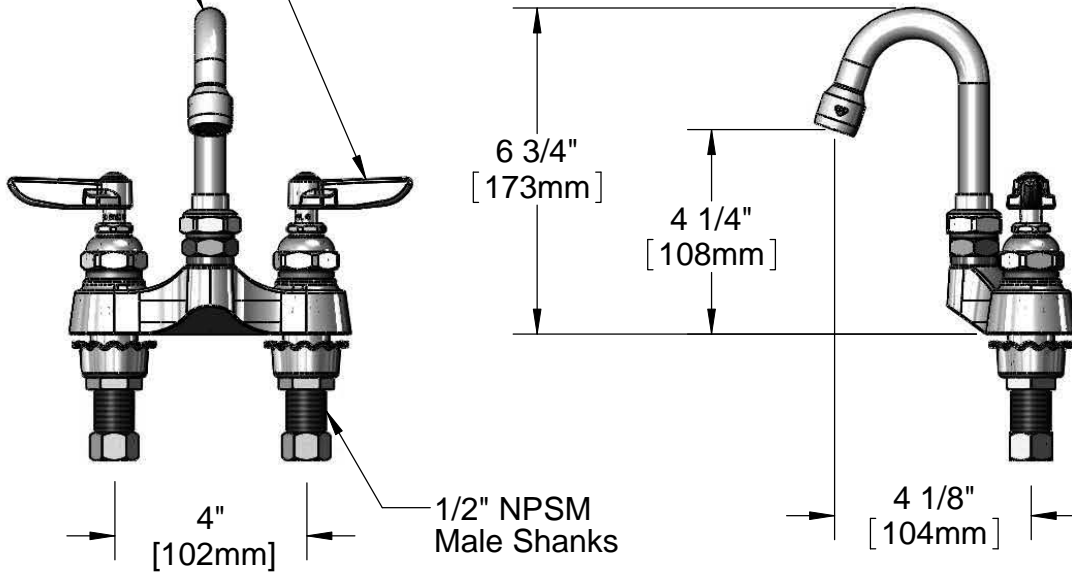


ADA Compliant



Swivel Gooseneck
w/ 2.2 GPM Aerator

Eterna Cartridges &
Lever Handles w/
Color Coded Indexes



Note: Rough-In Requirement
(2) Ø 1 1/8" [29mm] Mounting Holes

Product Specifications:
4" Centerset Mixing Faucet w/ 1/2" NPSM Male Shanks,
Eterna Cartridges, Lever Handles, Rigid to Swivel Adapter,
Swivel Gooseneck, 2.2 GPM Aerator

Drawn

JRM

Checked

KJG

Approved

JHB

Scale:

1:4

Date:

05/05/11



T&S BRASS AND BRONZE WORKS, INC.

2 Saddleback Cove / P.O. Box 1088
 Travelers Rest, SC 29690



REG. #A2601
 ISO #9001

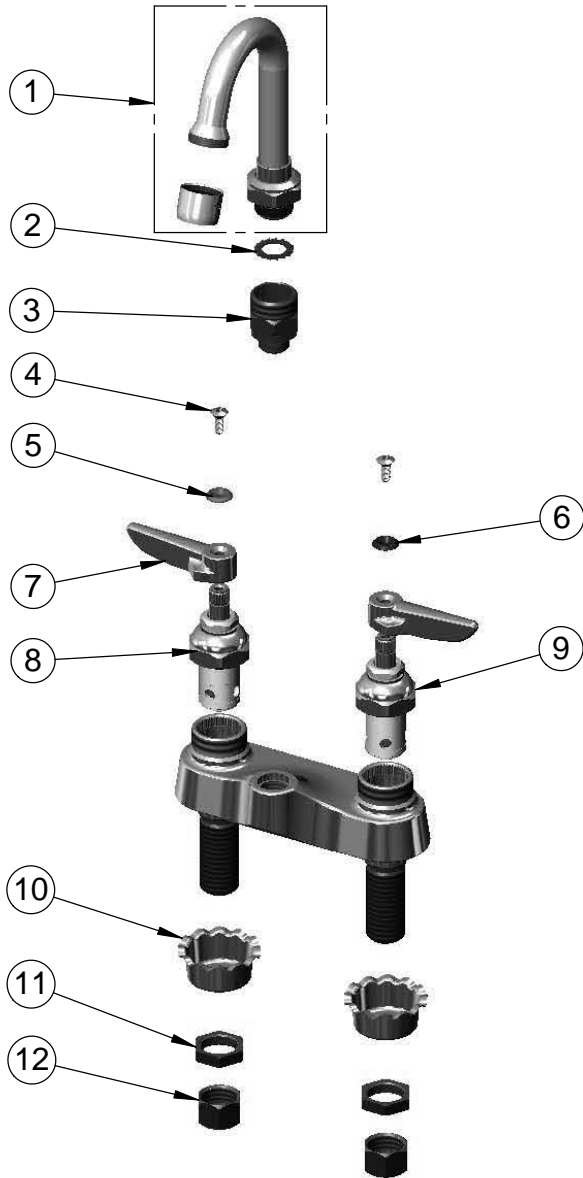
Model No.

B-2320

Item No.

Travelers Rest, SC: 800-476-4103 • Simi Valley, CA: 800-423-0150 • Fax: 864-834-3518 • www.tsbrass.com

ITEM NO.	SALES NO.	DESCRIPTION
1	008978-40	Swivel GN Asm.
2	014200-45	Star Washer, Anti-Rotation
3	B-0412	Rigid to Swivel Adapter
4	000922-45	Lever Handle Screw
5	001661-45	Red Index-HW
6	001660-45	Blue Index-CW
7	001638-45	Lever Handle
8	005960-40	Hot Eterna Cartridge (RTC)
9	005959-40	Cold Eterna Cartridge (LTC)
10	001000-45	Rosette Washer
11	002954-45	Shank Lock Nut
12	000958-20	Coupling Nut



Product Specifications:
 4" Centerset Mixing Faucet w/ 1/2" NPSM Male Shanks,
 Eterna Cartridges, Lever Handles, Rigid to Swivel Adapter,
 Swivel Gooseneck, 2.2 GPM Aerator

Drawn	Checked	Approved
JRM	KJG	JHB
Scale:		Date:
NTS		05/05/11