



**T&S BRASS AND BRONZE WORKS, INC.**  
 2 Saddleback Cove / P.O. Box 1088  
 Travelers Rest, SC 29690

Model No.  
**B-2339-LR**

Item No.

Travelers Rest, SC: 800-476-4103 • Simi Valley, CA: 800-423-0150 • Fax: 864-834-3518 • www.tsbrass.com

This Space for Architect/Engineer Approval

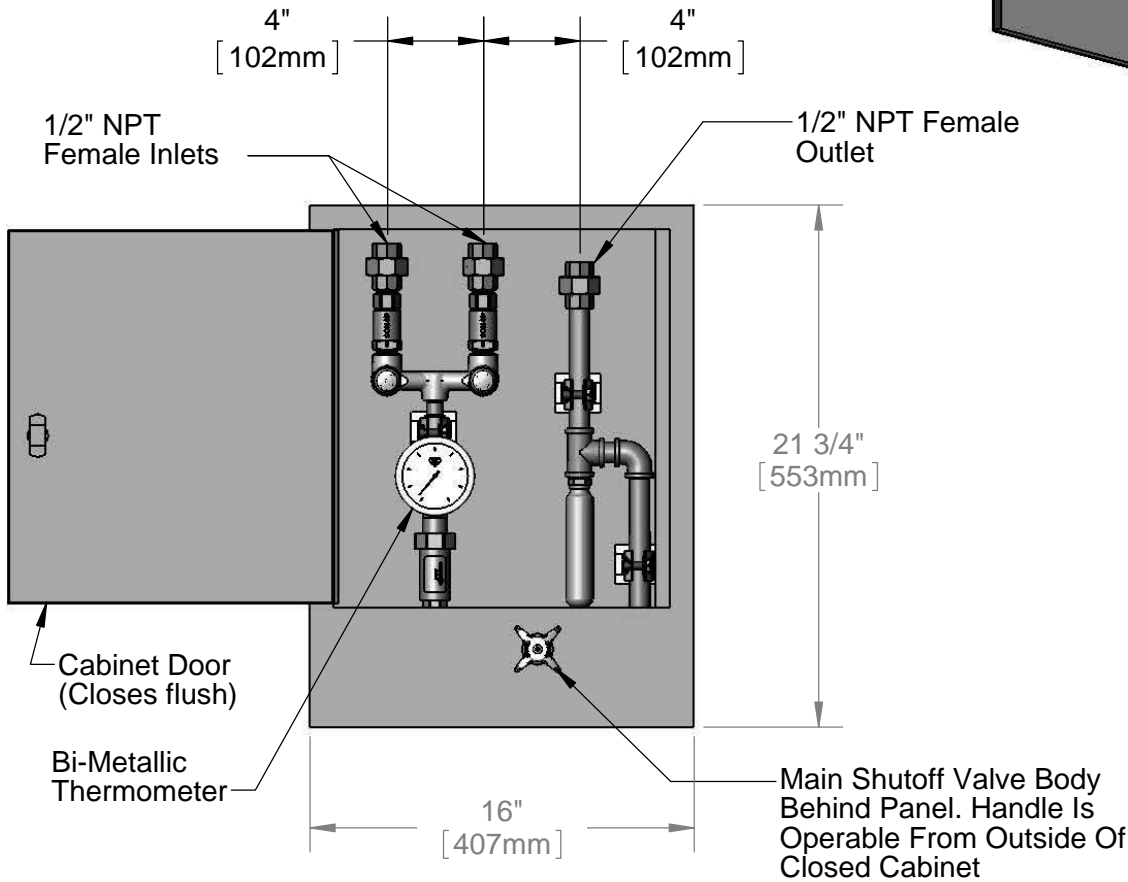
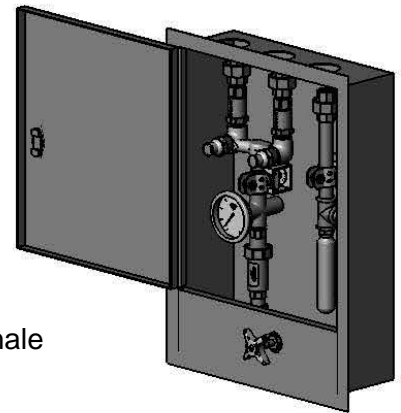
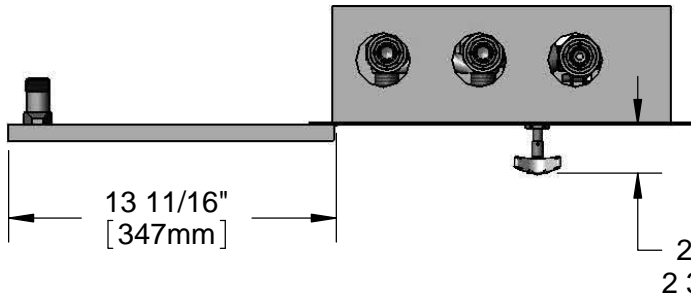
Job Name \_\_\_\_\_ Date \_\_\_\_\_

Model Specified \_\_\_\_\_ Quantity \_\_\_\_\_

Customer/Wholesaler \_\_\_\_\_

Contractor \_\_\_\_\_

Architect/Engineer \_\_\_\_\_



Cabinet Rough-in:  
 20 1/4" H x 14 1/4" W x 5" D

**Notice:**  
 This Product is Not Designed Nor Rated For Potable /  
 Drinking Water Applications.

Product Specifications:  
 Water Control Cabinet w/ Control Valve, Dual Check Valves, Thermometer,  
 Water Hammer Arrestor & 1/2" NPT Female Connections

Product Compliance:  
 NSF 61 Exempt (Non-Potable)  
 ASSE 1024 (VB)  
 ASSE 1010 (Arrestor)



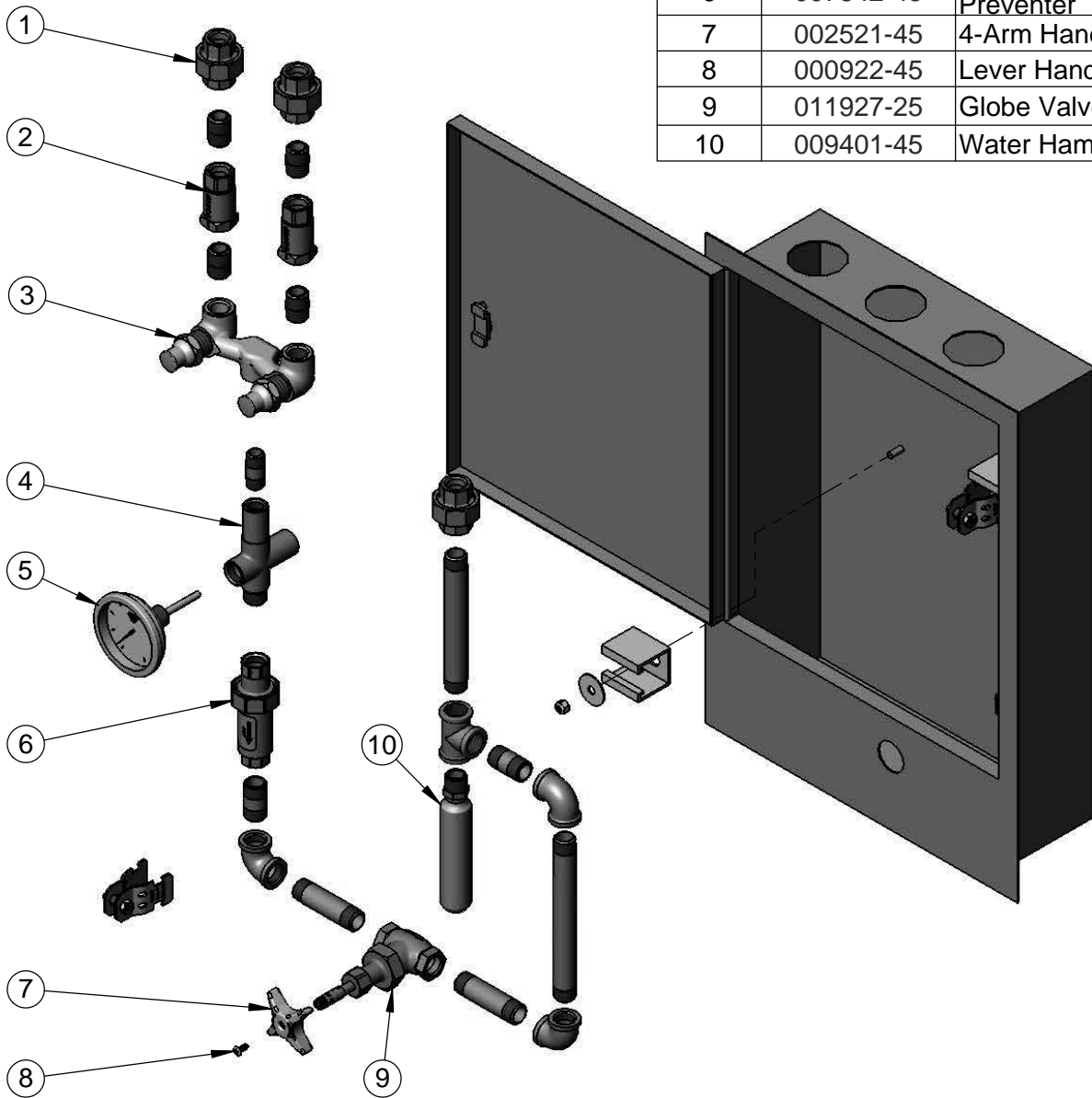
**T&S BRASS AND BRONZE WORKS, INC.**  
 2 Saddleback Cove / P.O. Box 1088  
 Travelers Rest, SC 29690

Model No.  
**B-2339-LR**

Item No.

Travelers Rest, SC: 800-476-4103 • Simi Valley, CA: 800-423-0150 • Fax: 864-834-3518 • www.tsbrass.com

ITEM NO.	SALES NO.	DESCRIPTION
1	006649-20	Union, 1/2" 250#
2	B-CVH1-2	1/2" Check Valve
3	0RK1	Mixing Valve
4	B-2339-TEE	Thermometer Tee
5	003799-45	Thermometer, Bi-Metal
6	007842-45	Dual Check Valve Backflow Preventer
7	002521-45	4-Arm Handle
8	000922-45	Lever Handle Screw
9	011927-25	Globe Valve, 1/2" NPT
10	009401-45	Water Hammer Arrestor



**Product Specifications:**  
 Water Control Cabinet w/ Control Valve, Dual Check Valves, Thermometer,  
 Water Hammer Arrestor & 1/2" NPT Female Connections

**Product Compliance:**  
 NSF 61 Exempt (Non-Potable)  
 ASSE 1024 (VB)  
 ASSE 1010 (Arrestor)