



# T&S BRASS AND BRONZE WORKS, INC.

2 Saddleback Cove / P.O. Box 1088  
Travelers Rest, SC 29690

Model No.

**B-2345-01-XX**

Item No.

Travelers Rest, SC: 800-476-4103 • Simi Valley, CA: 800-423-0150 • Fax: 864-834-3518 • www.tsbrass.com



**ADA Compliant**

This Space for Architect/Engineer Approval

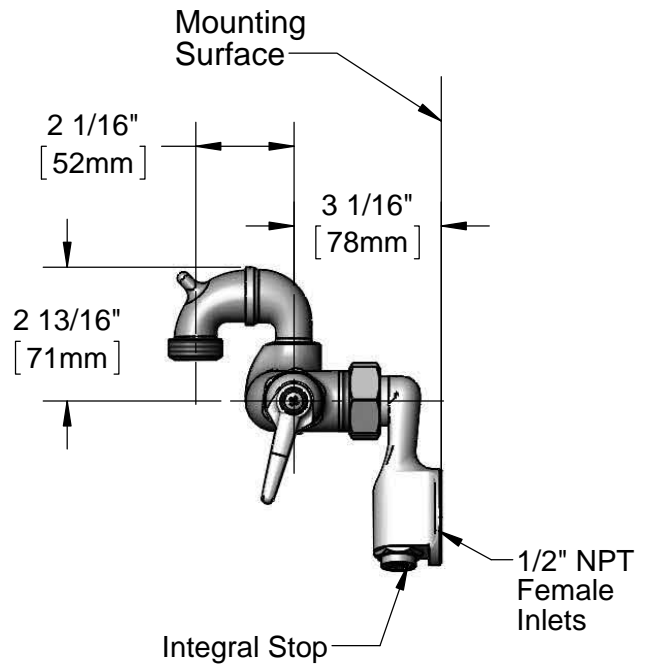
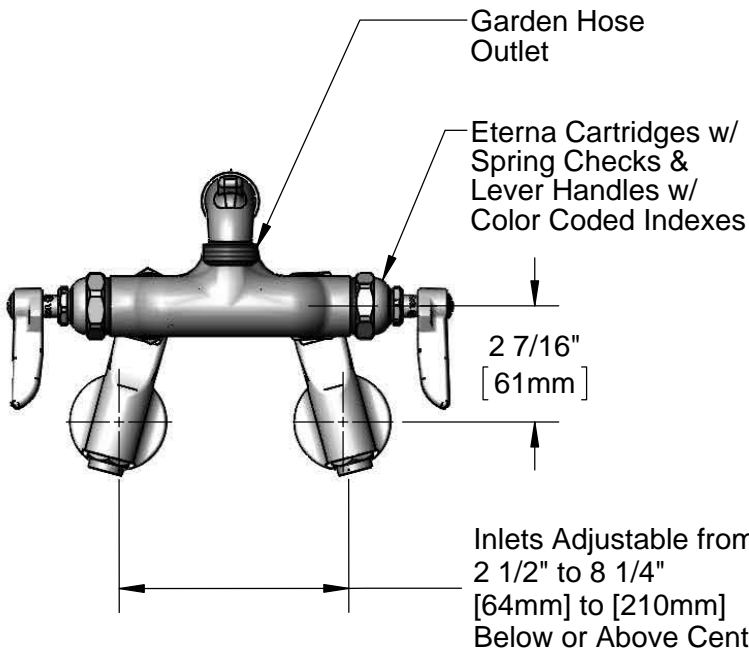
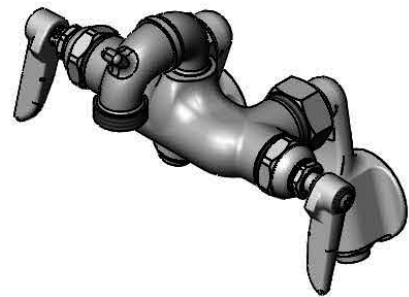
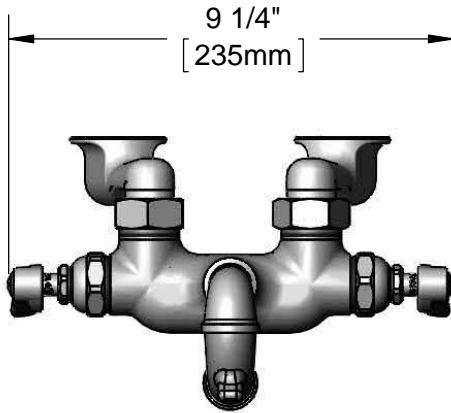
Job Name \_\_\_\_\_ Date \_\_\_\_\_

Model Specified \_\_\_\_\_ Quantity \_\_\_\_\_

Customer/Wholesaler \_\_\_\_\_

Contractor \_\_\_\_\_

Architect/Engineer \_\_\_\_\_



**Product Specifications:**

Wall Mount Polished Chrome Mixing Faucet w/ 1/2" NPT Adjustable Inlets w/ Screwdriver Stops, Lever Handles & Eterna Cartridges w/ Spring Checks

**Product Compliance:**

ASME A112.18.1 / CSA B125.1  
NSF 61 - Section 9  
NSF 372 (Low Lead Content)  
ANSI A117.1 (ADA)



# T&S BRASS AND BRONZE WORKS, INC.

2 Saddleback Cove / P.O. Box 1088  
Travelers Rest, SC 29690

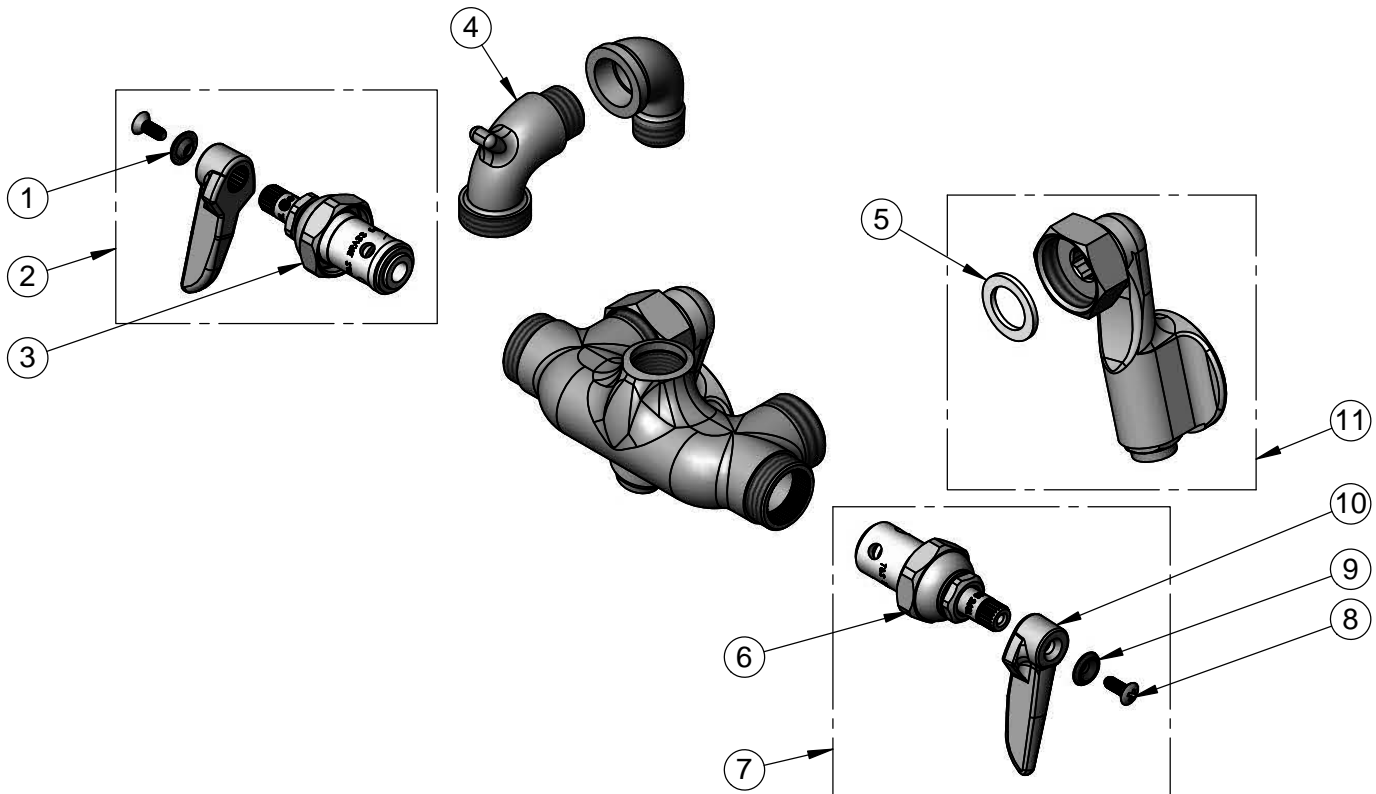
Model No.

**B-2345-01-XX**

Item No.

Travelers Rest, SC: 800-476-4103 • Simi Valley, CA: 800-423-0150 • Fax: 864-834-3518 • www.tsbrass.com

ITEM NO.	SALES NO.	DESCRIPTION
1	001661-45	Red Index-HW
2	002712-40	Eterna Cartridge, RTC w/ Spring Check, Handle, Index & Screw
3	012443-40	Eterna Cartridge, RTC w/ Spring Check
4	000270-40	Spout, Garden Hose Outlet
5	001019-45	Coupling Nut Washer
6	012442-40	Eterna Cartridge, LTC w/ Spring Check
7	002711-40	Eterna Cartridge, LTC w/ Spring Check, Handle, Index & Screw
8	000922-45	Lever Handle Screw
9	001660-45	Blue Index-CW
10	001638-45	Lever Handle
11	00XX	1/2" NPT Female Adjustable Arm Inlet w/ Screwdriver Stop



**Product Specifications:**

Wall Mount Polished Chrome Mixing Faucet w/ 1/2" NPT Adjustable Inlets w/ Screwdriver Stops, Lever Handles & Eterna Cartridges w/ Spring Checks

**Product Compliance:**

ASME A112.18.1 / CSA B125.1  
NSF 61 - Section 9  
NSF 372 (Low Lead Content)  
ANSI A117.1 (ADA)