



# T&S BRASS AND BRONZE WORKS, INC.

2 Saddleback Cove / P.O. Box 1088  
Travelers Rest, SC 29690

Model No.

**B-2345-01**

Item No.

Travelers Rest, SC: 800-476-4103 • Simi Valley, CA: 800-423-0150 • Fax: 864-834-3518 • www.tsbrass.com



**ADA Compliant**

This Space for Architect/Engineer Approval

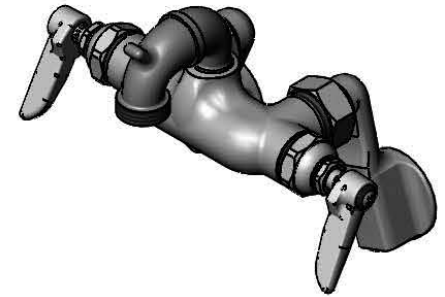
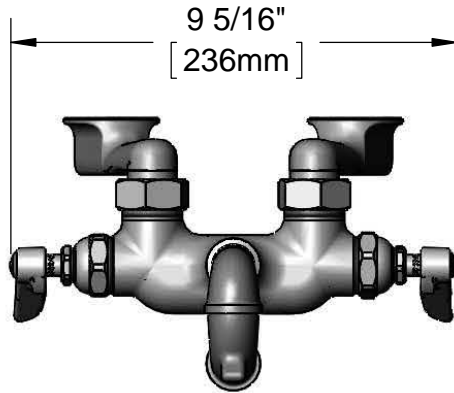
Job Name \_\_\_\_\_ Date \_\_\_\_\_

Model Specified \_\_\_\_\_ Quantity \_\_\_\_\_

Customer/Wholesaler \_\_\_\_\_

Contractor \_\_\_\_\_

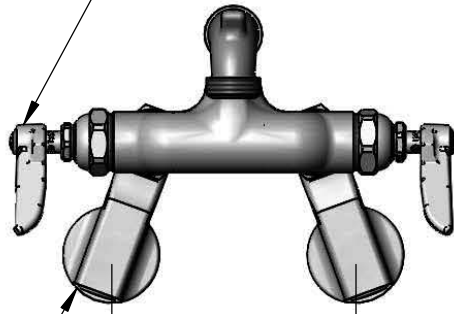
Architect/Engineer \_\_\_\_\_



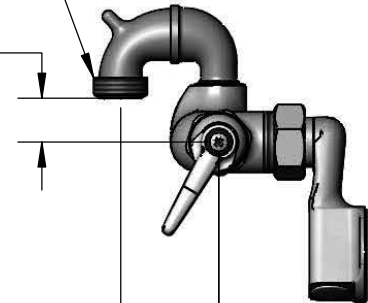
Quarter-Turn Eterna Cartridges w/ Spring Checks & Lever Handles w/ Color Coded Indexes

Male Garden Hose Outlet

Ø 2" [51mm] Flanges w/ 1/2" NPT Female Inlets



15/16" [23mm]



Adjustable from 2 1/2" to 8 1/4" [57mm to 210mm] Above or Below Centerline

2 1/16" [52mm]

3 1/16" [78mm]

Mounting Surface

**Product Specifications:**

Wall Mount Polish Chrome Mixing Faucet, Quarter-Turn Eterna Cartridges w/ Spring Checks, Lever Handles, Short Spout w/ Pail Hook & Male Garden Hose Outlet & 1/2" NPT Adjustable Inlets

**Product Compliance:**

ASME A112.18.1 / CSA B125.1  
NSF 61 - Section 9  
NSF 372 (Low Lead Content)  
ANSI A117.1 (ADA)



# T&S BRASS AND BRONZE WORKS, INC.

2 Saddleback Cove / P.O. Box 1088  
Travelers Rest, SC 29690

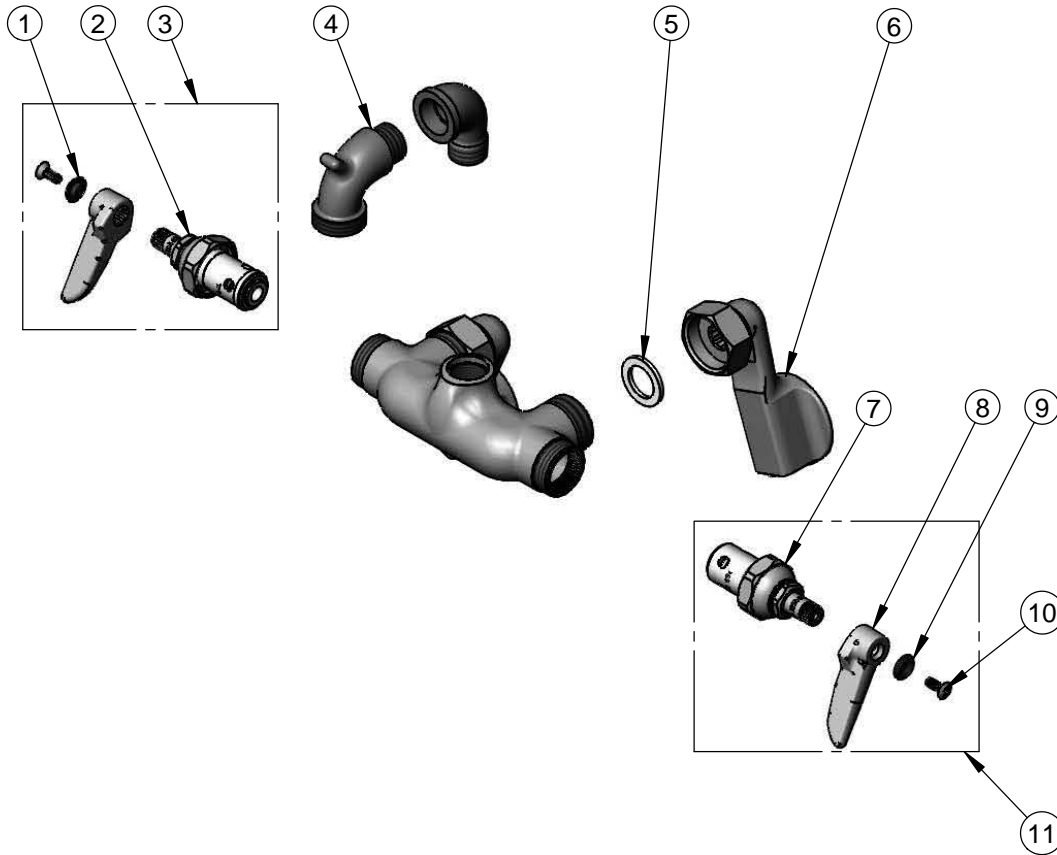
Model No.

**B-2345-01**

Item No.

Travelers Rest, SC: 800-476-4103 • Simi Valley, CA: 800-423-0150 • Fax: 864-834-3518 • www.tsbrass.com

ITEM NO.	SALES NO.	DESCRIPTION
1	001661-45	Red Index-HW
2	012443-40	Quarter-Turn Eterna Cartridge, RTC w/ Spring Check
3	002712-40	Quarter-Turn Eterna Cartridge, RTC w/ Spring Check, Handle, Index & Screw
4	000270-40	Spout, Garden Hose Outlet
5	001019-45	Coupling Nut Washer
6	00GG	1/2" NPT Female Adjustable Flange
7	012442-40	Quarter-Turn Eterna Cartridge, LTC w/ Spring Check
8	001638-45	Lever Handle
9	001660-45	Blue Index-CW
10	000922-45	Lever Handle Screw
11	002711-40	Quarter-Turn Eterna Cartridge, LTC w/ Spring Check



**Product Specifications:**

Wall Mount Polish Chrome Mixing Faucet, Quarter-Turn Eterna Cartridges w/ Spring Checks, Lever Handles, Short Spout w/ Pail Hook & Male Garden Hose Outlet & 1/2" NPT Adjustable Inlets

**Product Compliance:**

ASME A112.18.1 / CSA B125.1  
NSF 61 - Section 9  
NSF 372 (Low Lead Content)  
ANSI A117.1 (ADA)