



T&S BRASS AND BRONZE WORKS, INC.

2 Saddleback Cove / P.O. Box 1088
Travelers Rest, SC 29690

Model No.

B-2346

Item No.

Travelers Rest, SC: 800-476-4103 • Simi Valley, CA: 800-423-0150 • Fax: 864-834-3518 • www.tsbrass.com

This Space for Architect/Engineer Approval

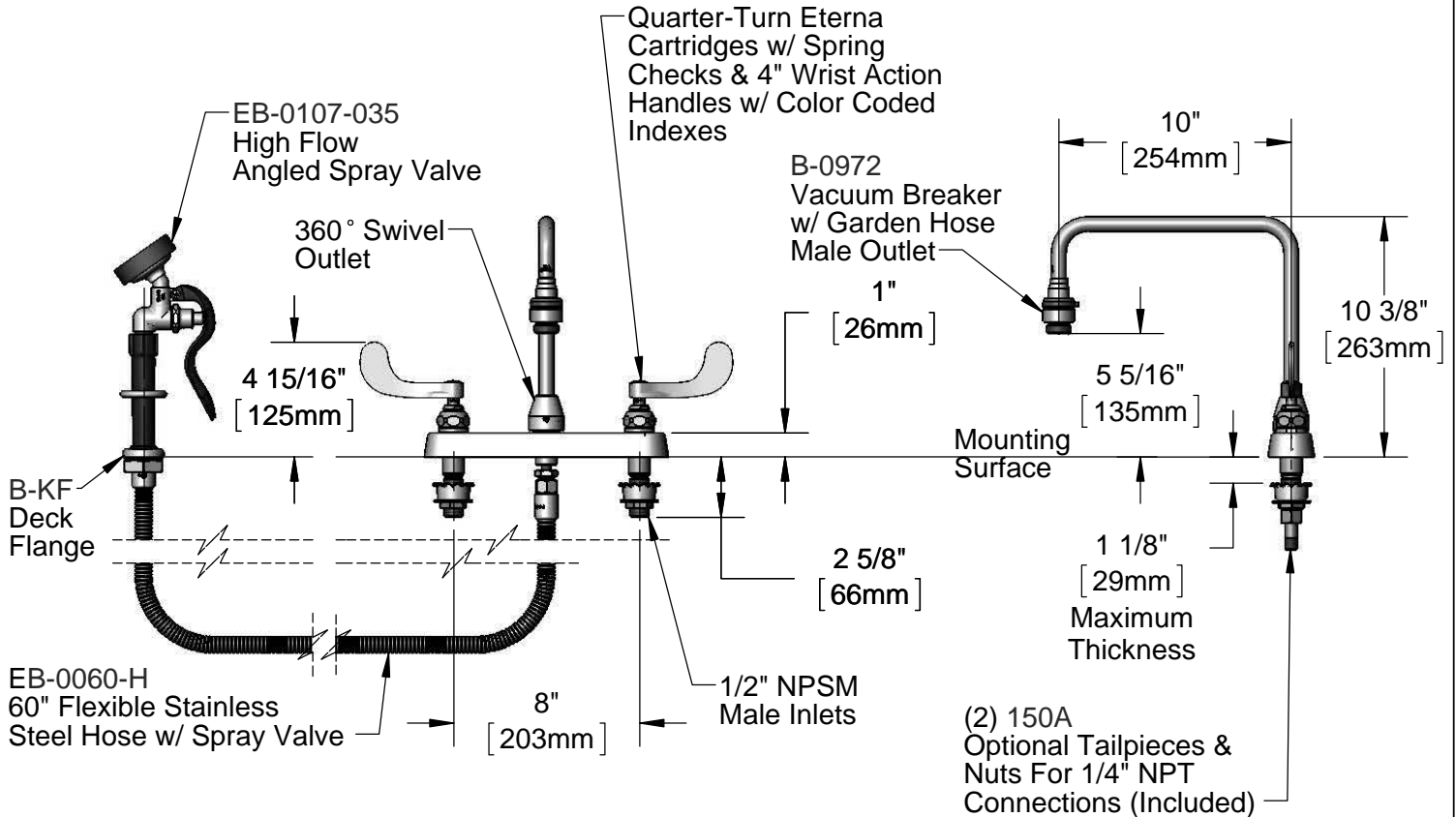
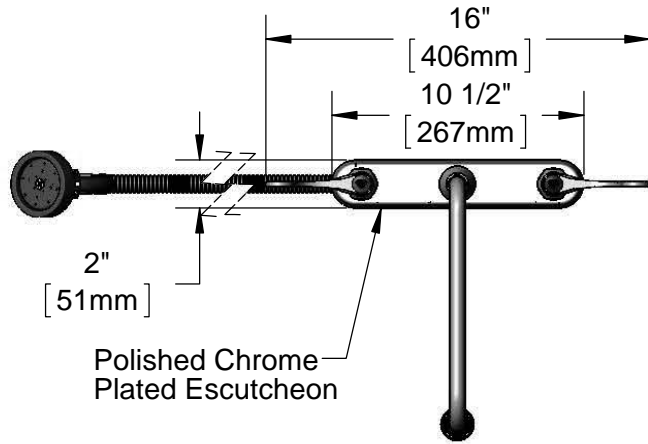
Job Name _____ Date _____

Model Specified _____ Quantity _____

Customer/Wholesaler _____

Contractor _____

Architect/Engineer _____



Rough-In Requirement:

Faucet: (3) ϕ 1" [25mm] Mounting Holes

Deck Flange: (1) ϕ 1 9/16" [40mm] Mounting Hole

Product Specifications:

8" Deck Mount Mixing Faucet w/ 60" Flexible Stainless Steel Hose, High Flow Angled Spray Valve, 4" Wrist Action Handles, Vacuum Breaker Gooseneck w/ Garden Hose Male Outlet & 1/2" NPSM Male Inlets

Product Compliance:

ASME A112.18.1 / CSA B125.1
NSF 61 - Section 9
NSF 372 (Low Lead Content)
EPA Act 2005 Non-Compliant (PRSV)
ASSE 1011 (VB)



T&S BRASS AND BRONZE WORKS, INC.

2 Saddleback Cove / P.O. Box 1088
Travelers Rest, SC 29690

Model No.

B-2346

Item No.

Travelers Rest, SC: 800-476-4103 • Simi Valley, CA: 800-423-0150 • Fax: 864-834-3518 • www.tsbrass.com

ITEM NO.	SALES NO.	DESCRIPTION
1	B-0972	Vacuum Breaker, 3/4" Garden Hose
2	000560-25	Adapter 3/4" GH X 3/8" NPSM
3	001043-45	Washer
4	009556-40	Swivel Gooseneck (Less Vacuum Breaker)
5	001486-45	Diverter Cover Screw
6	001069-45	O-ring
7	019363-45	Blue Button Index, Press-in
8	000925-45	Lab Handle Screw
9	019382-40	Quarter-Turn New Style Eterna Cartridge w/ Spring Check, LTC
10	019376-40	Escutcheon Lock Nut
11	019375-40	B-1120 Eterna Workboard Escutcheon
12	002338-45	Valve Diverter Piston
13	000542-25	1/8" NPT x 3/4-14 Male Adapter
14	010476-45	#27 Washer
15	EB-0060-H	60" Flexible Stainless Steel Hose w/ Blue Grip Handle
16	150A	1/4" NPT Tailpiece & Nut
17	002954-45	Shank Lock Nut
18	000999-45	Brass Lock Washer
19	001000-45	Rosette Washer
20	019383-40	Quarter-Turn New Style Eterna Cartridge w/ Spring Check, RTC
21	019362-45	Wrist Action Handle (New Style)
22	019364-45	Red Button Index, Press-in
23	B-KF	Protective Flange
24	000907-45	Spray Valve Hold Down Ring
25	EB-0107-035	High Flow Angled Spray Valve (Blue)

Product Specifications:
8" Deck Mount Mixing Faucet w/ 60" Flexible Stainless Steel Hose, High Flow Angled Spray Valve, 4" Wrist Action Handles, Vacuum Breaker Gooseneck w/ Garden Hose Male Outlet & 1/2" NPSM Male Inlets

Product Compliance:
ASME A112.18.1 / CSA B125.1
NSF 61 - Section 9
NSF 372 (Low Lead Content)
EPA Act 2005 Non-Compliant (PRSV)
ASSE 1011 (VB)