



**T&S BRASS AND BRONZE WORKS, INC.**

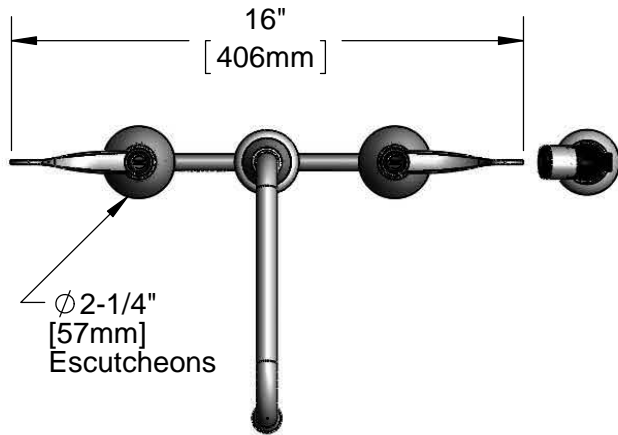
2 Saddleback Cove / P.O. Box 1088  
Travelers Rest, SC 29690

Model No.

**B-2347-02-WH4CR**

Item No.

Travelers Rest, SC: 800-476-4103 • Simi Valley, CA: 800-423-0150 • Fax: 864-834-3518 • www.tsbrass.com



This Space for Architect/Engineer Approval

Job Name \_\_\_\_\_ Date \_\_\_\_\_

Model Specified \_\_\_\_\_ Quantity \_\_\_\_\_

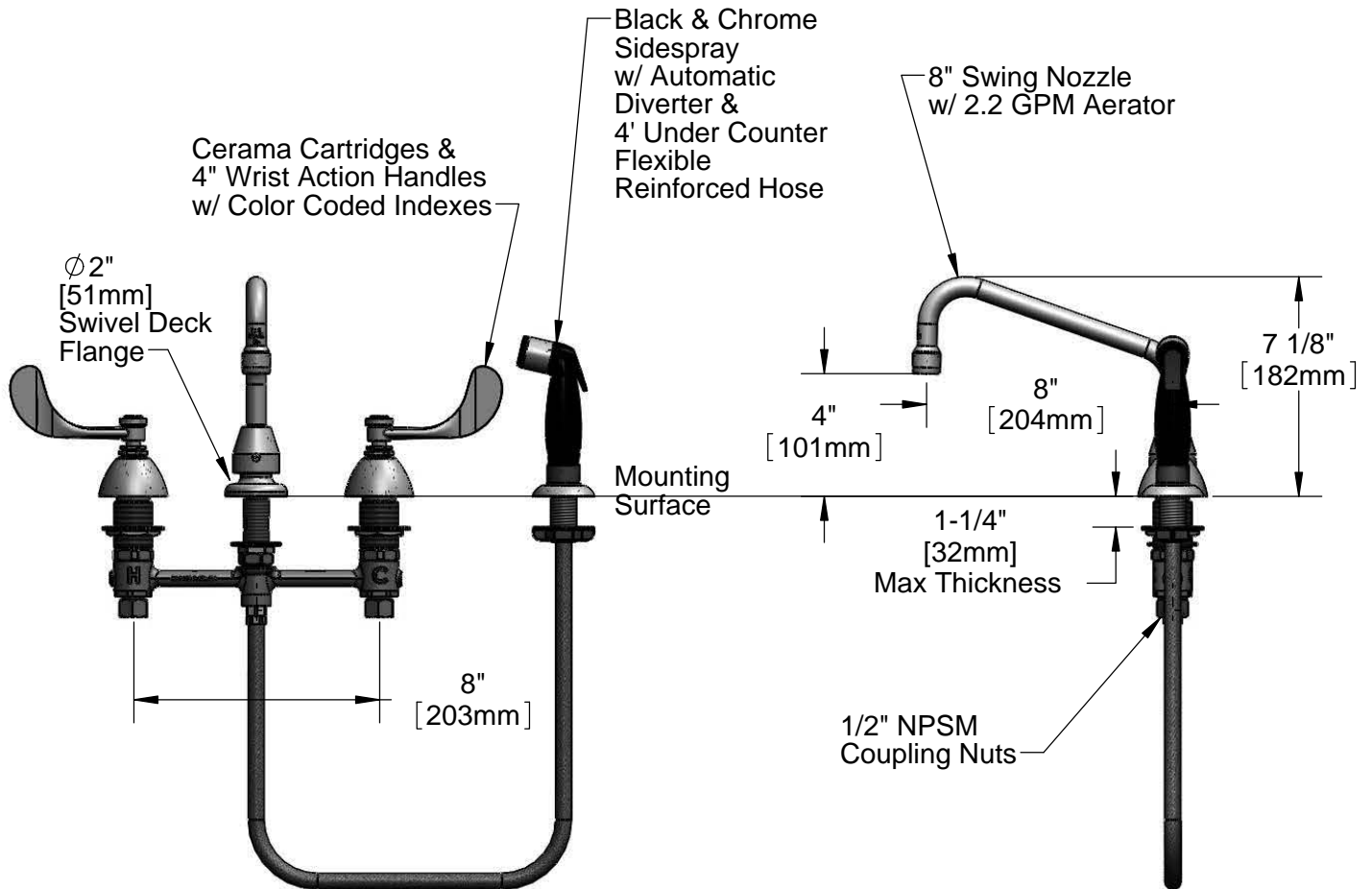
Customer/Wholesaler \_\_\_\_\_

Contractor \_\_\_\_\_

Architect/Engineer \_\_\_\_\_



**ADA Compliant**



Rough-In Requirement:  
 Ø 1" [25mm] for Center Shank  
 Ø 1-1/2" [38mm] for Hot/Cold Side

Product Specifications:

EasyInstall Faucet w/ 4' Sidespray, Swing Nozzle w/ 2.2 GPM Aerator, 4" Wrist Action Handles, Cerama Cartridges, & 8" Inlet Centers

Drawn <b>JRM</b>	Checked <b>DMH</b>	Approved <b>JHB</b>
Scale: <b>1:4</b>		Date: <b>06/21/12</b>



# T&S BRASS AND BRONZE WORKS, INC.

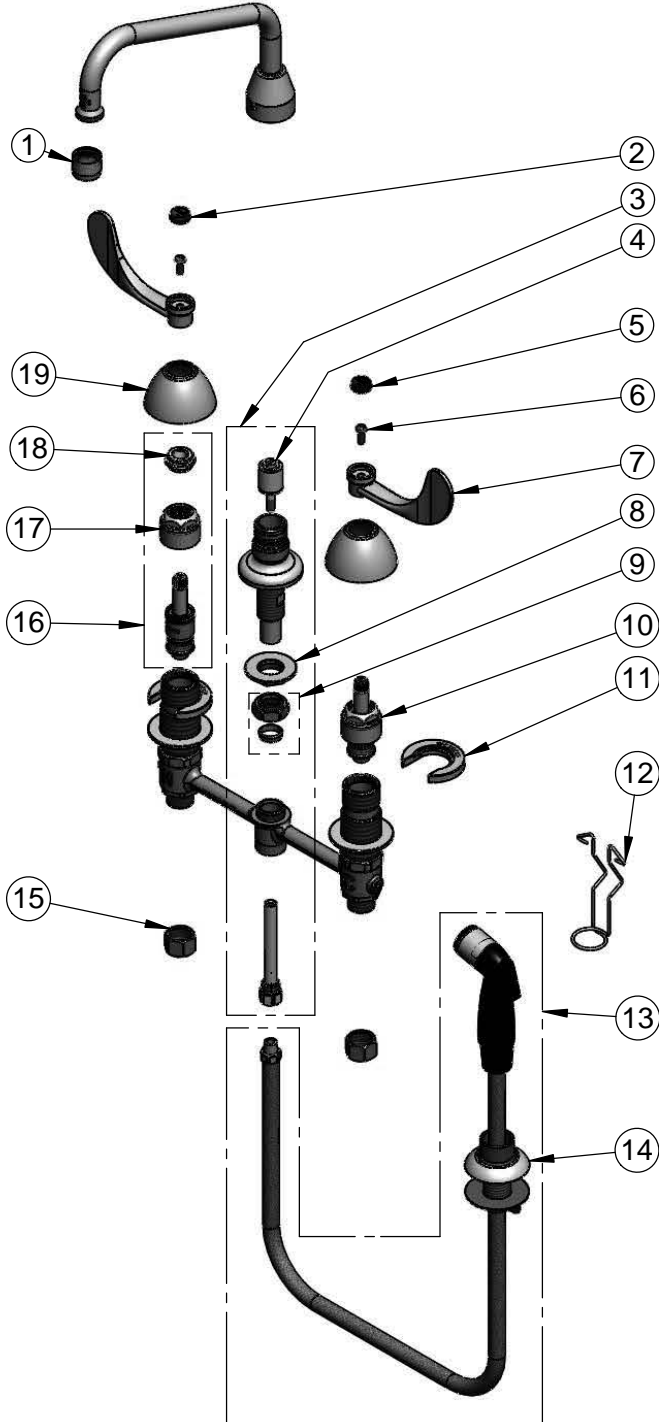
2 Saddleback Cove / P.O. Box 1088  
Travelers Rest, SC 29690

Model No.

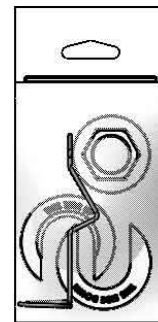
**B-2347-02-WH4CR**

Item No.

Travelers Rest, SC: 800-476-4103 • Simi Valley, CA: 800-423-0150 • Fax: 864-834-3518 • www.tsbrass.com



ITEM NO.	SALES NO.	DESCRIPTION
1	B-0199-01	2.2 GPM Aerator
2	001194-45	Red HW Index
3	017208-40	Center Body Diverter Asy
4	002338-45	Diverter
5	001686-45	Blue CW Index
6	000925-45	Lab Handle Screw
7	B-WH4	4" Wrist Action Handle
8	016742-45	Center Flange Nut
9	016745-45	Compression Nut & Fitting
10	016767-25	EasyInstall CWS LTC Cerama
11	016749-45	C-Washer
12	016777-45	CWS Hanger
13	001495-45	4' Side Spray w/ Hose Guide
14	001496-45	Hose Guide
15	000958-20	Coupling Nut
16	016768-25	EasyInstall CWS RTC Cerama
17	016743-25	CWS Bonnet Assembly
18	009002-25	Packing Assembly
19	001257-40	Bell Escutcheon



017245-40  
Installation Repair Kit  
Includes #8, (2)#11, & #12

**Product Specifications:**

EasyInstall Faucet w/ 4' Sidespray, Swing Nozzle w/ 2.2 GPM Aerator, 4" Wrist Action Handles, Cerama Cartridges, & 8" Inlet Centers

Drawn <b>JRM</b>	Checked <b>DMH</b>	Approved <b>JHB</b>
Scale: <b>NTS</b>		Date: <b>06/21/12</b>