



# T&S BRASS AND BRONZE WORKS, INC.

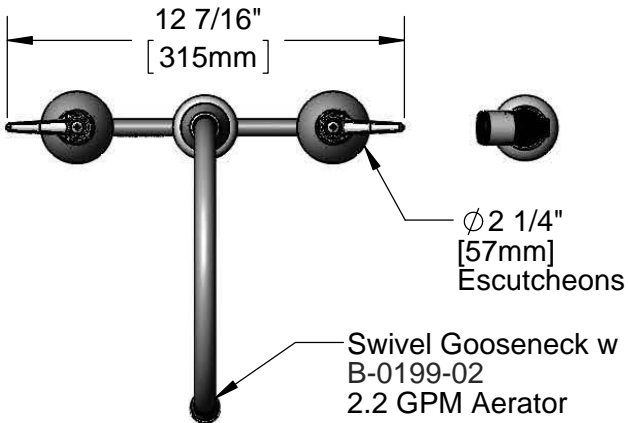
2 Saddleback Cove / P.O. Box 1088  
Travelers Rest, SC 29690

Model No.

**B-2347-05-LVR**

Item No.

Travelers Rest, SC: 800-476-4103 • Simi Valley, CA: 800-423-0150 • Fax: 864-834-3518 • www.tsbrass.com



This Space for Architect/Engineer Approval

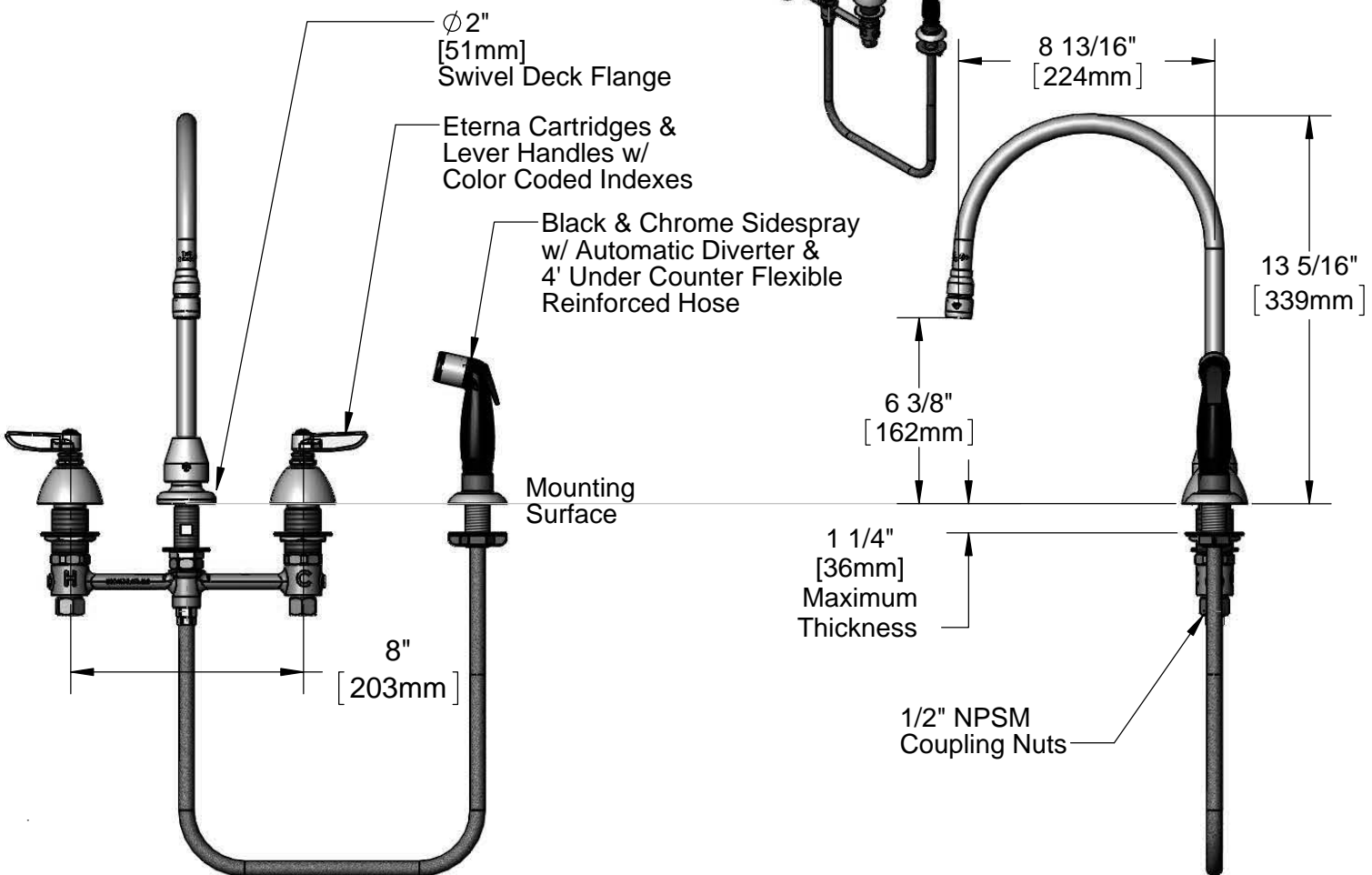
Job Name \_\_\_\_\_ Date \_\_\_\_\_

Model Specified \_\_\_\_\_ Quantity \_\_\_\_\_

Customer/Wholesaler \_\_\_\_\_

Contractor \_\_\_\_\_

Architect/Engineer \_\_\_\_\_



**Rough-In Requirement:**  
 Ø 1" [25mm] for Center Shank  
 Ø 1 1/2" [38mm] for Hot/Cold Side

**Product Specifications:**  
 EasyInstall 8" Concealed Widespread Mixing Faucet, 4' Sidespray, Lever Handles, Eterna Cartridges & Gooseneck w/ 2.2 GPM Aerator

**Product Compliance:**  
 ASME A112.18.1 / CSA B125.1  
 NSF 61 - Section 9  
 NSF 372 (Low Lead Content)  
 ANSI A117.1 (ADA)



# T&S BRASS AND BRONZE WORKS, INC.

2 Saddleback Cove / P.O. Box 1088  
Travelers Rest, SC 29690

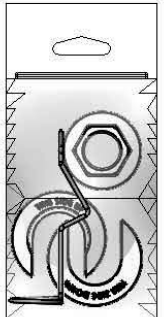
Model No.

**B-2347-05-LVR**

Item No.

Travelers Rest, SC: 800-476-4103 • Simi Valley, CA: 800-423-0150 • Fax: 864-834-3518 • www.tsbrass.com

| ITEM NO. | SALES NO. | DESCRIPTION                         |
|----------|-----------|-------------------------------------|
| 1        | B-0199-02 | 2.2 GPM Male Aerator                |
| 2        | B-0199-01 | 2.2 GPM Female Aerator              |
| 3        | 044A      | Male Aerator Adapter                |
| 4        | 001043-45 | Washer                              |
| 5        | 002338-45 | Diverter                            |
| 6        | 017208-40 | Center Body Diverter                |
| 7        | 016742-45 | Center Flange Nut                   |
| 8        | 016745-45 | Compression Nut & Fitting           |
| 9        | 000922-45 | Lever Handle Screw                  |
| 10       | 001660-45 | Blue Index-CW                       |
| 11       | 001638-45 | Lever Handle                        |
| 12       | 016752-40 | EasyInstall CWS LTC Eterna (Teflon) |
| 13       | 016749-45 | C-Washer                            |
| 14       | 016777-45 | CWS Hanger                          |
| 15       | 001494-45 | 4' Side Spray w/ Hose Guide         |
| 16       | 001496-45 | Hose Guide                          |
| 17       | 000958-20 | Coupling Nut                        |
| 18       | 016753-40 | EasyInstall CWS RTC Eterna (Teflon) |
| 19       | 016743-25 | CWS Bonnet Assembly                 |
| 20       | 009002-25 | Packing Assembly                    |
| 21       | 001257-40 | Bell Escutcheon                     |
| 22       | 001661-45 | Red Index-HW                        |



**017245-40**  
Installation Repair Kit  
Includes #7, (2)#13, & #14

**Product Specifications:**  
EasyInstall 8" Concealed Widespread Mixing Faucet, 4' Sidespray, Lever Handles, Eterna Cartridges & Gooseneck w/ 2.2 GPM Aerator

**Product Compliance:**  
ASME A112.18.1 / CSA B125.1  
NSF 61 - Section 9  
NSF 372 (Low Lead Content)  
ANSI A117.1 (ADA)