



T&S BRASS AND BRONZE WORKS, INC.

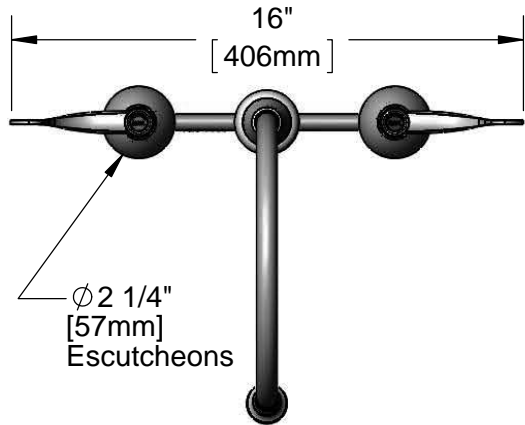
2 Saddleback Cove / P.O. Box 1088
Travelers Rest, SC 29690

Model No.

B-2347

Item No.

Travelers Rest, SC: 800-476-4103 • Simi Valley, CA: 800-423-0150 • Fax: 864-834-3518 • www.tsbrass.com



This Space for Architect/Engineer Approval

Job Name _____ Date _____

Model Specified _____ Quantity _____

Customer/Wholesaler _____

Contractor _____

Architect/Engineer _____

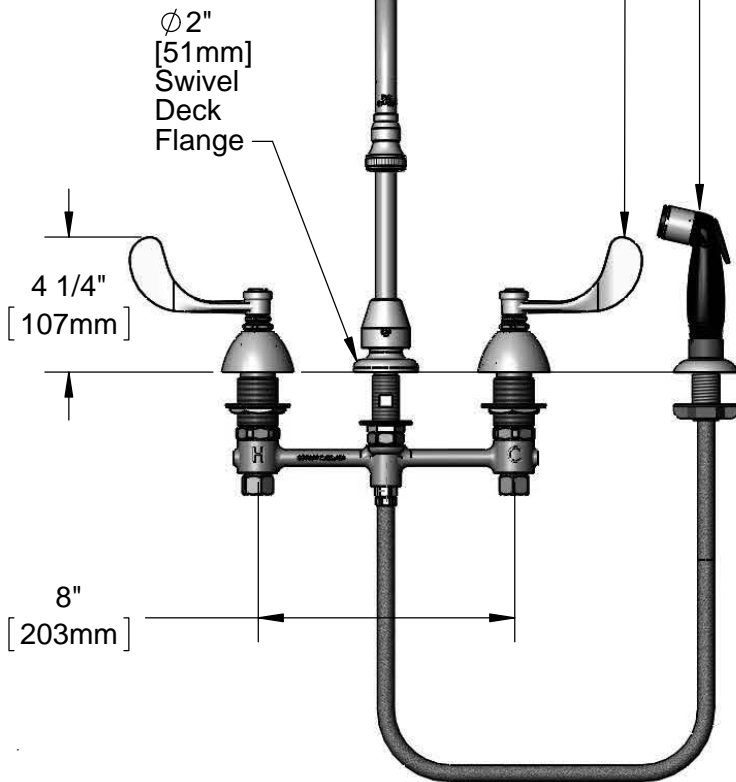


ADA Compliant

Swivel Gooseneck w/
B-0103
Rosespray Outlet

Eterna Cartridges &
4" Wrist Action Handles
w/ Color Coded Indexes

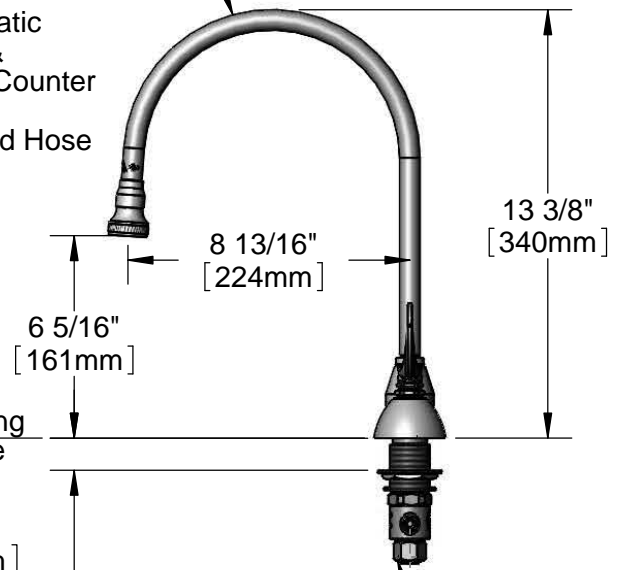
Black & Chrome
Sidespray
w/ Automatic
Diverter &
4' Under Counter
Flexible
Reinforced Hose



Mounting
Surface

1"
[26mm]
Maximum
Thickness

1/2" NPSM Male Inlets
w/ Coupling Nuts



Rough-In Requirement:

$\phi 1$ " [25mm] for Center Shank

$\phi 1 \frac{1}{2}$ " [38mm] for Hot/Cold Side

Product Specifications:

8" Deck Mount EasyInstall Mixing Faucet, 4' Sidespray, Eterna Cartridges, 4" Wrist Action Handles, Gooseneck w/ Rosespray Outlet & 1/2" NPSM Male Inlets w/ Coupling Nuts

Product Compliance:

ASME A112.18.1 / CSA B125.1
NSF 61 - Section 9
NSF 372 (Low Lead Content)
ANSI A117.1 (ADA)



T&S BRASS AND BRONZE WORKS, INC.

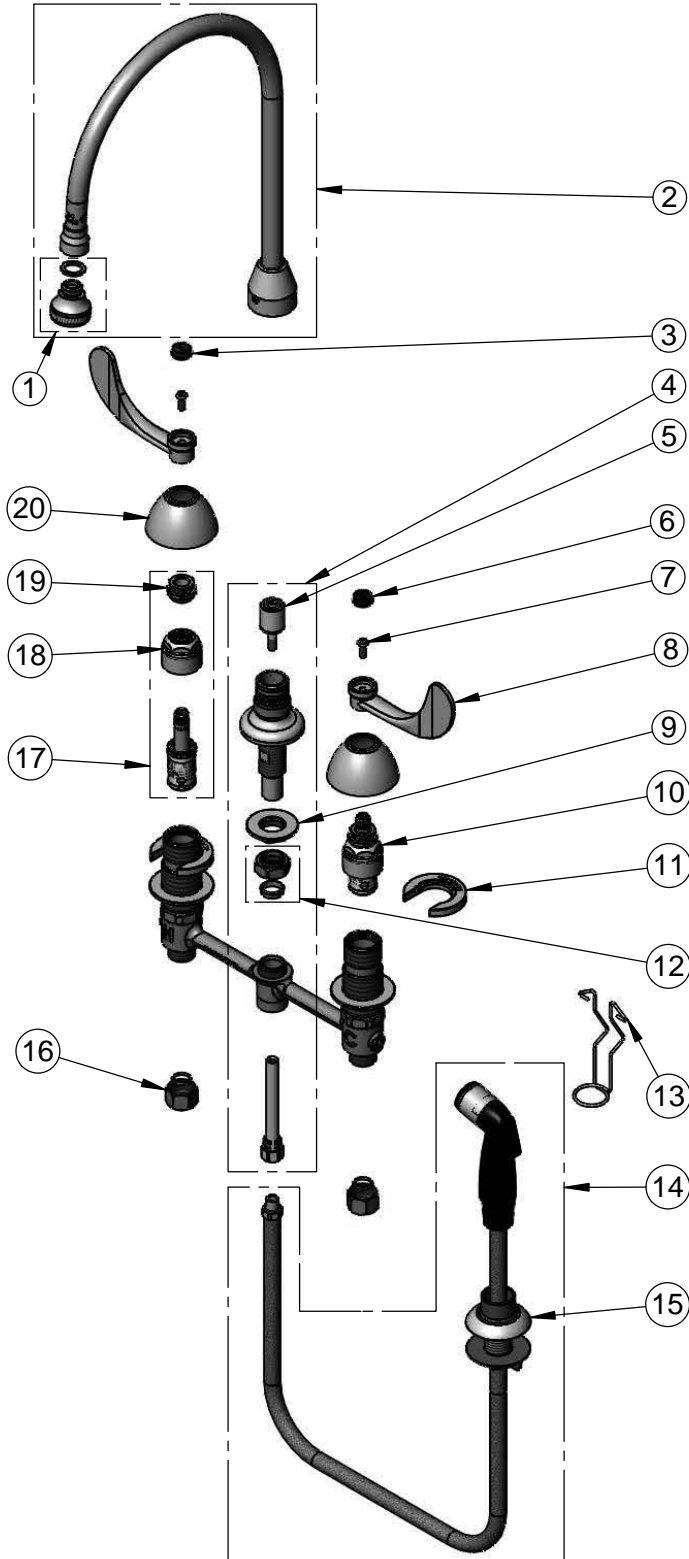
2 Saddleback Cove / P.O. Box 1088
Travelers Rest, SC 29690

Model No.

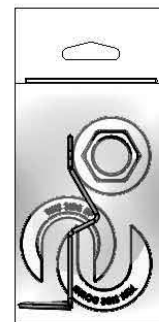
B-2347

Item No.

Travelers Rest, SC: 800-476-4103 • Simi Valley, CA: 800-423-0150 • Fax: 864-834-3518 • www.tsbrass.com



ITEM NO.	SALES NO.	DESCRIPTION
1	B-0103	Rosespray Outlet
2	009436-40	Gooseneck w/ Rosespray Outlet
3	001194-45	Red Index - HW
4	017208-40	Center Body Diverter
5	002338-45	Diverter
6	001686-45	Blue Index - CW
7	000925-45	Lab Handle Screw
8	B-WH4	4" Wrist Action Handle
9	016742-45	Center Flange Nut
10	016752-40	EasyInstall CWS LTC Eterna (Teflon)
11	016749-45	C-Washer
12	016745-45	Compression Nut & Fitting
13	016777-45	CWS Hanger
14	001495-45	4' Side Spray w/ Hose Guide
15	001496-45	Hose Guide
16	000958-20	Coupling Nut
17	016753-40	EasyInstall CWS RTC Eterna (Teflon)
18	016743-25	CWS Bonnet
19	009002-25	Packing
20	001257-40	Bell Escutcheon



017245-40
Installation Repair Kit
Includes #9, (2)#11, & #13

Product Specifications:

8" Deck Mount EasyInstall Mixing Faucet, 4' Sidespray, Eterna Cartridges, 4" Wrist Action Handles, Gooseneck w/ Rosespray Outlet & 1/2" NPSM Male Inlets w/ Coupling Nuts

Product Compliance:

ASME A112.18.1 / CSA B125.1
NSF 61 - Section 9
NSF 372 (Low Lead Content)
ANSI A117.1 (ADA)