



# T&S BRASS AND BRONZE WORKS, INC.

2 Saddleback Cove / P.O. Box 1088  
Travelers Rest, SC 29690



REG. #A2601  
ISO #9001

Model No.

B-2414-CR-SC

Item No.

Travelers Rest, SC: 800-476-4103 Simi Valley, CA: 800-423-0150 Fax: 864-834-3518 www.tsbrass.com

This Space for Architect/Engineer Approval

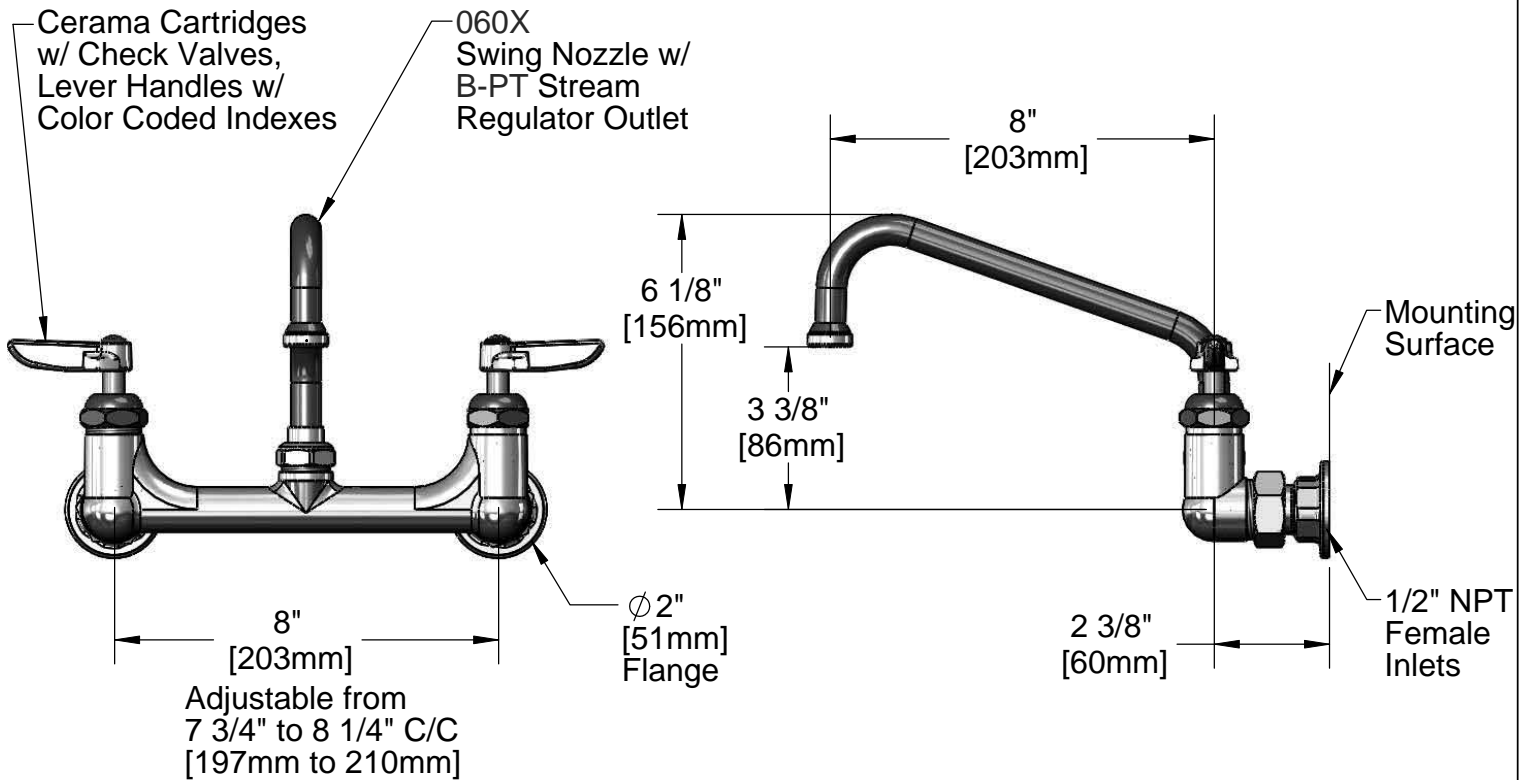
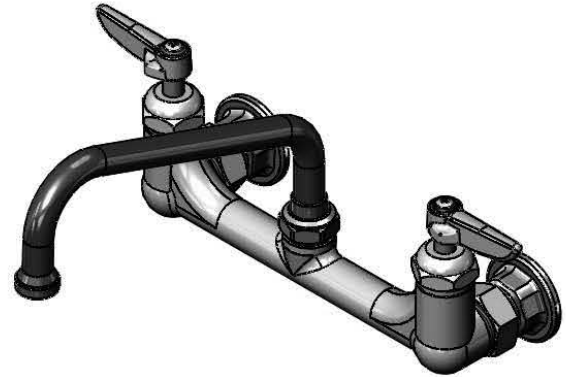
Job Name \_\_\_\_\_ Date \_\_\_\_\_

Model Specified \_\_\_\_\_ Quantity \_\_\_\_\_

Customer/Wholesaler \_\_\_\_\_

Contractor \_\_\_\_\_

Architect/Engineer \_\_\_\_\_



Product Specifications:

8" c/c Wall Mount Mixing Faucet w/ Cerama Cartridges w/ Check Valves, 8" Swing Nozzle, B-PT Stream Regulator Outlet & 1/2" NPT Female Inlets

Drawn KJG	Checked DMH	Approved JHB
Scale: 1:4		Date: 10/08/10



**T&S BRASS AND BRONZE WORKS, INC.**

2 Saddleback Cove / P.O. Box 1088  
Travelers Rest, SC 29690



REG. #A2601  
ISO #9001

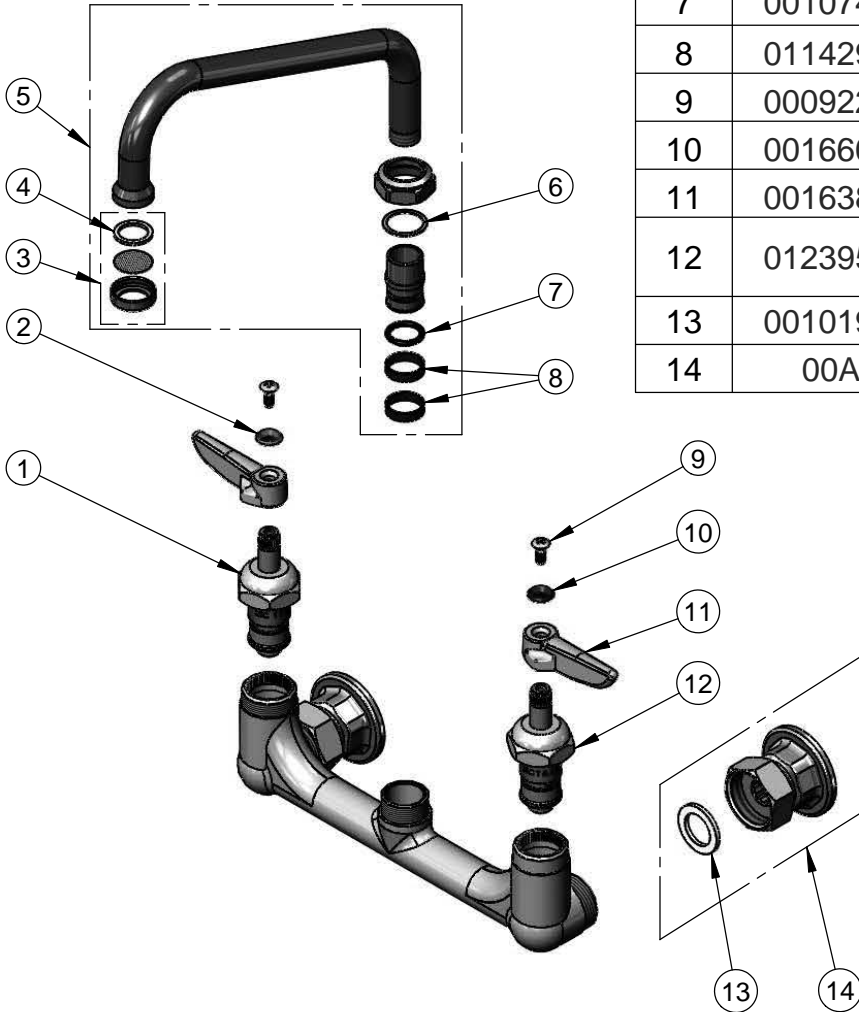
Model No.

B-2414-CR-SC

Item No.

Travelers Rest, SC: 800-476-4103 Simi Valley, CA: 800-423-0150 Fax: 864-834-3518 www.tsbrass.com

ITEM NO.	SALES NO.	DESCRIPTION
1	012394-25	Cerama Cartridge, RTC w/ Check Valve
2	001661-45	Red Index-HW
3	B-PT	Stream Regulator Outlet
4	001048-45	Nozzle Tip Washer
5	060X	8" Swing Nozzle Assembly
6	009538-45	Swivel Washer
7	001074-45	O-Ring
8	011429-45	Swivel Sleeves (2)
9	000922-45	Lever Handle Screw
10	001660-45	Blue Index-CW
11	001638-45	Lever Handle
12	012395-25	Cerama Cartridge, LTC w/ Check Valve
13	001019-45	Coupling Nut Washer
14	00AA	Flange Assembly



Product Specifications:

8" c/c Wall Mount Mixing Faucet w/ Cerama Cartridges w/ Check Valves, 8" Swing Nozzle, B-PT Stream Regulator Outlet & 1/2" NPT Female Inlets

Drawn KJG	Checked DMH	Approved JHB
Scale: NTS		Date: 10/08/10