



T&S BRASS AND BRONZE WORKS, INC.

2 Saddleback Cove / P.O. Box 1088
Travelers Rest, SC 29690



REG. #A2601
ISO #9001

Model No.

B-2414-SC

Item No.

Travelers Rest, SC: 800-476-4103 Simi Valley, CA: 800-423-0150 Fax: 864-834-3518 www.tsbrass.com

This Space for Architect/Engineer Approval

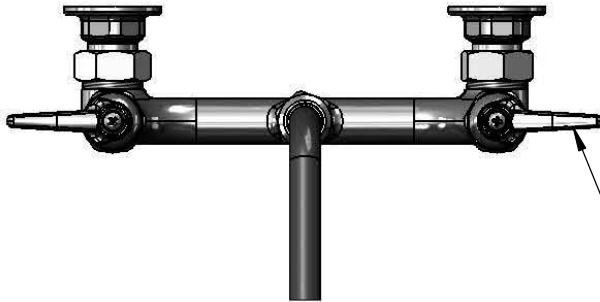
Job Name _____ Date _____

Model Specified _____ Quantity _____

Customer/Wholesaler _____

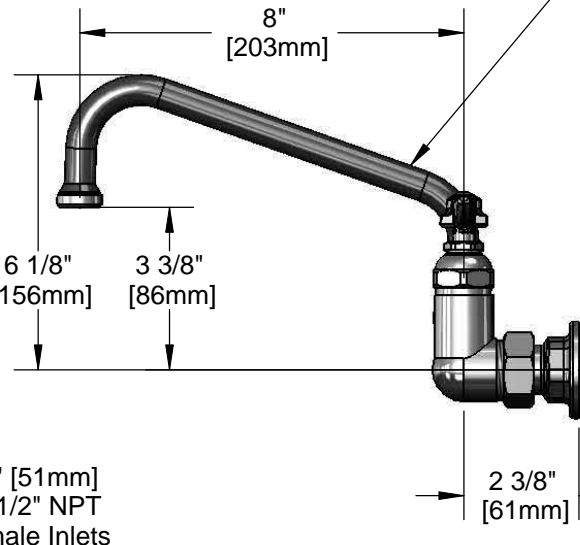
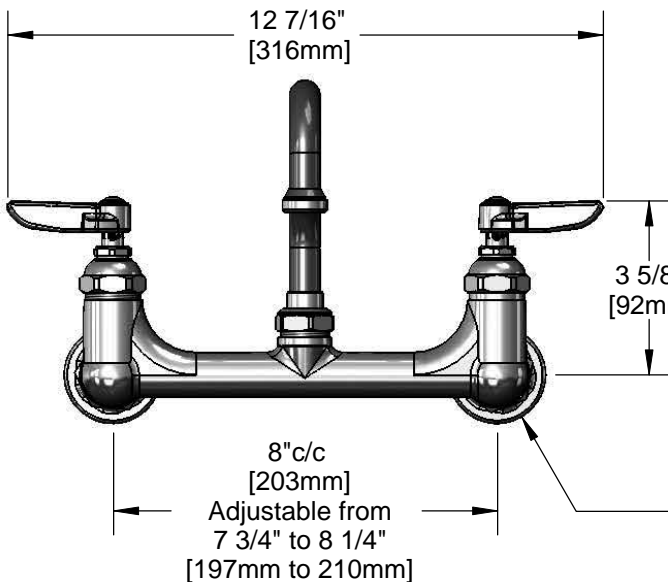
Contractor _____

Architect/Engineer _____



Eterna Cartridge w/
Spring Checks &
Lever Handles
w/ Color Coded
Indexes

060X
Swing Nozzle w/
B-PT
Stream Regulator



Product Specifications:

8" c/c Wall Mount Mixing Faucet w/ 1/2" NPT Female Inlet Flanges, Eterna Cartridges w/ Spring Checks & Lever Handles & 060X Swing Nozzle

Drawn
DHL

Checked
KJG

Approved
JHB

Scale:

1:4

Date:

09/02/10



T&S BRASS AND BRONZE WORKS, INC.

2 Saddleback Cove / P.O. Box 1088
Travelers Rest, SC 29690



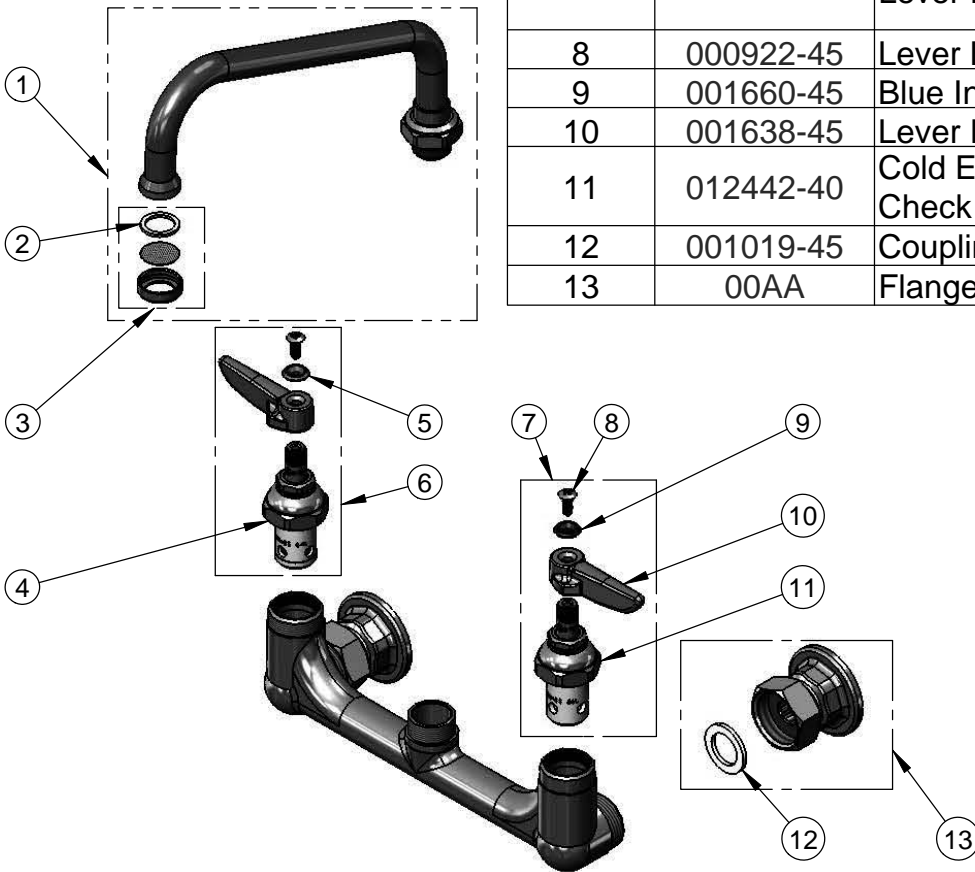
REG. #A2601
ISO #9001

Model No.
B-2414-SC

Item No.

Travelers Rest, SC: 800-476-4103 Simi Valley, CA: 800-423-0150 Fax: 864-834-3518 www.tsbrass.com

ITEM NO.	SALES NO.	DESCRIPTION
1	060X	8" Swing Nozzle
2	001048-45	Nozzle Tip Washer
3	B-PT	Stream Regulator Outlet
4	012443-40	Hot Eterna Spindle Assembly w/ Spring Check
5	001661-45	Red Index-HW
6	002712-40	Hot Spindle Assembly w/ Sping Check, Lever Handle, Index and Screw
7	002711-40	Cold Spindle Assembly w/ Sping Check, Lever Handle, Index and Screw
8	000922-45	Lever Handle Screw
9	001660-45	Blue Index-CW
10	001638-45	Lever Handle
11	012442-40	Cold Eterna Spindle Assembly w/ Spring Check
12	001019-45	Coupling Nut Washer
13	00AA	Flange Coupling Nut



Product Specifications:

8" c/c Wall Mount Mixing Faucet w/ 1/2" NPT Female Inlet Flanges, Eterna Cartridges w/ Spring Checks & Lever Handles & 060X Swing Nozzle

Drawn DHL	Checked KJG	Approved JHB
Scale: 1:2		Date: 09/02/10