



T&S BRASS AND BRONZE WORKS, INC.
 2 Saddleback Cove / P.O. Box 1088
 Travelers Rest, SC 29690

Model No.
B-2443-F1-CR-SC

Item No.

Travelers Rest, SC: 800-476-4103 • Simi Valley, CA: 800-423-0150 • Fax: 864-834-3518 • www.tsbrass.com

This Space for Architect/Engineer Approval

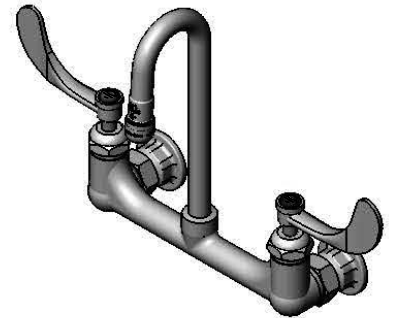
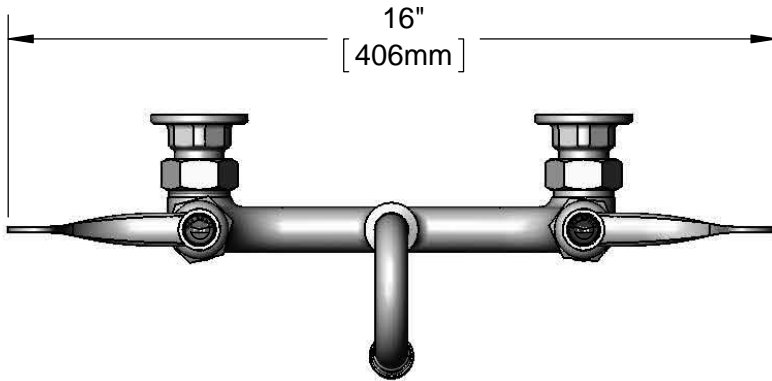
Job Name _____ Date _____

Model Specified _____ Quantity _____

Customer/Wholesaler _____

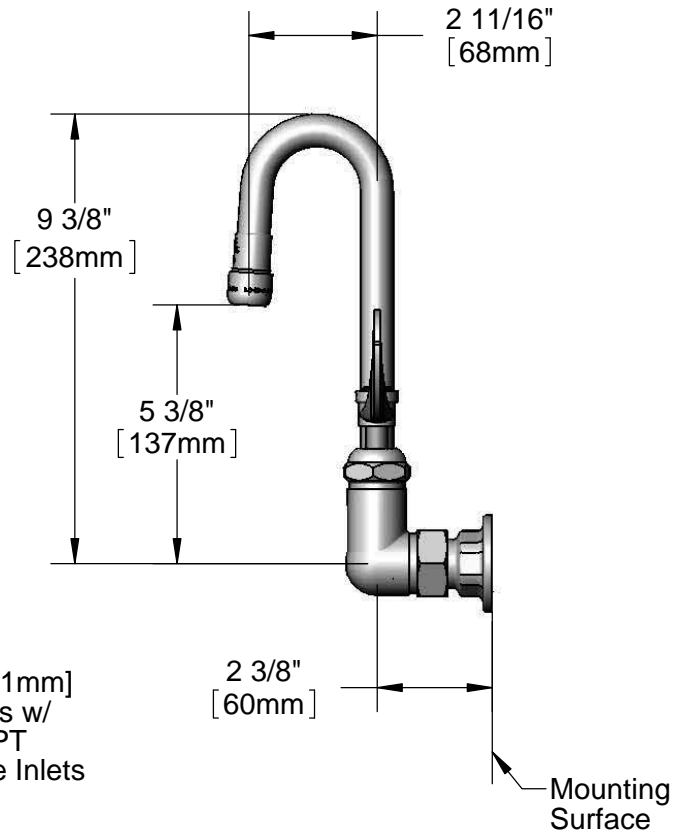
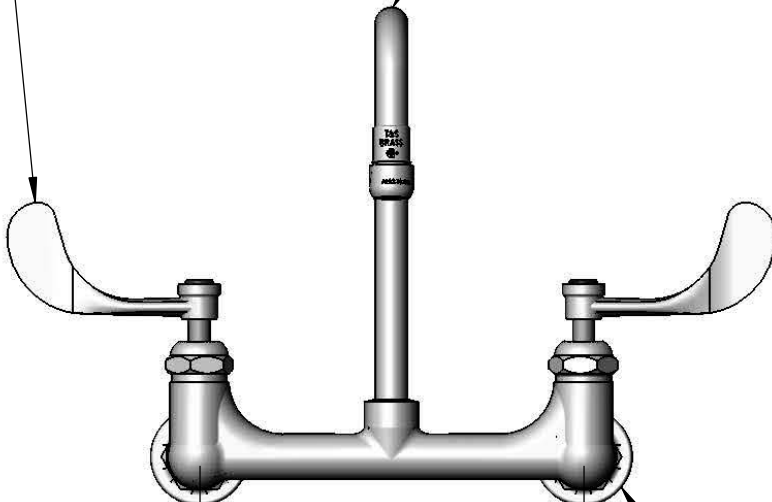
Contractor _____

Architect/Engineer _____



Cerama Cartridges
 w/ Check Valves &
 4" Wrist Action Handles
 w/ Color Coded Indexes

Rigid Gooseneck w/
 B-0199-01-F10
 1.0 GPM Aerator



8" [203mm]
 Adjustable From
 7 3/4" to 8 1/4"
 [197mm to 210mm]

Ø 2" [51mm]
 Flanges w/
 1/2" NPT
 Female Inlets

Mounting
 Surface

Product Specifications:
 8" Wall Mount Mixing Faucet w/ Cerama Cartridges w/
 Check Valves, 4" Wrist Action Handles, Rigid Gooseneck,
 1.0 GPM Aerator, & 1/2" NPT Female Inlets

Drawn
KJG

Checked
DMH

Approved
JHB

Scale:
1:4

Date:
06/08/12



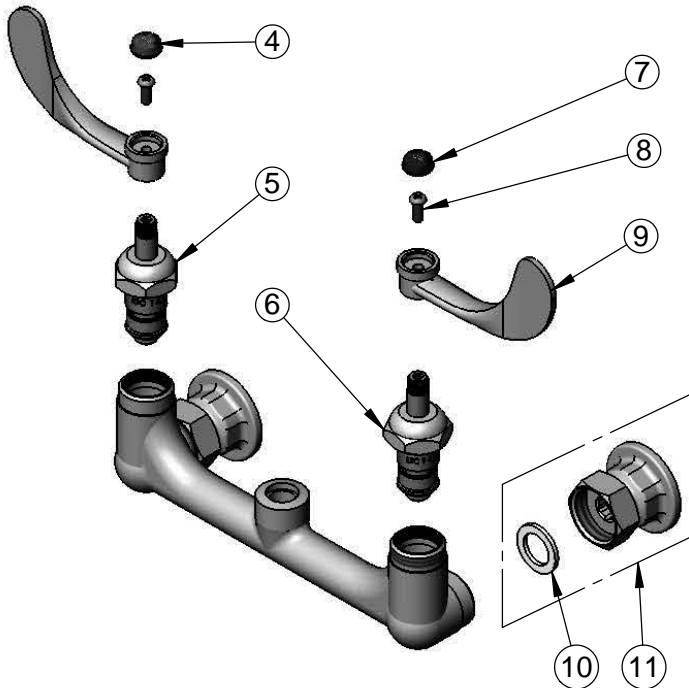
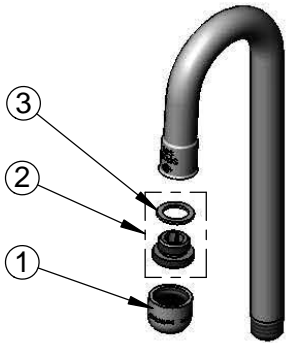
T&S BRASS AND BRONZE WORKS, INC.
 2 Saddleback Cove / P.O. Box 1088
 Travelers Rest, SC 29690

Model No.
B-2443-F1-CR-SC

Item No.

Travelers Rest, SC: 800-476-4103 • Simi Valley, CA: 800-423-0150 • Fax: 864-834-3518 • www.tsbrass.com

ITEM NO.	SALES NO.	DESCRIPTION
1	B-0199-01-F10	1.0 GPM Aerator, 15/16"-27UN Female
2	044A	3/8" to Aerator Adapter
3	001043-45	Washer
4	001194-45	Red HW Index
5	012394-25	Cerama Cartridge, RTC w/ Check Valve
6	012395-25	Cerama Cartridge, LTC w/ Check Valve
7	001686-45	Blue CW Index
8	000925-45	Lab Handle Screw
9	B-WH4	4" Wrist Action Handle
10	001019-45	Coupling Nut Washer
11	00AA	Flange Assembly



Product Specifications:
 8" Wall Mount Mixing Faucet w/ Cerama Cartridges w/
 Check Valves, 4" Wrist Action Handles, Rigid Gooseneck,
 1.0 GPM Aerator, & 1/2" NPT Female Inlets

Drawn KJG	Checked DMH	Approved JHB
Scale: NTS		Date: 06/08/12