



# T&S BRASS AND BRONZE WORKS, INC.

2 Saddleback Cove / P.O. Box 1088  
Travelers Rest, SC 29690

Model No.

**B-2443-F10**

Item No.

Travelers Rest, SC: 800-476-4103 • Simi Valley, CA: 800-423-0150 • Fax: 864-834-3518 • www.tsbrass.com

This Space for Architect/Engineer Approval

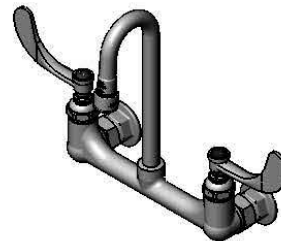
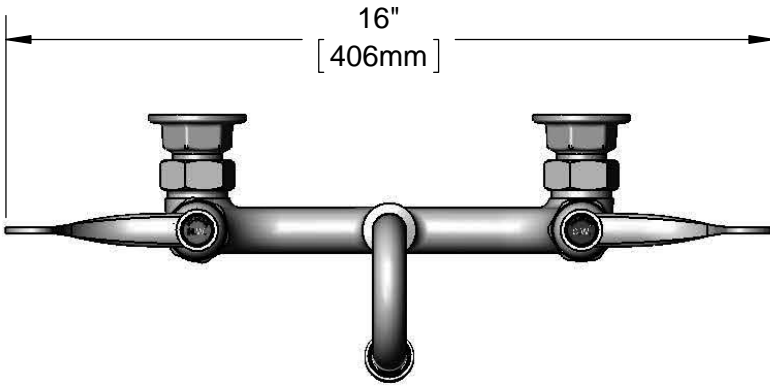
Job Name \_\_\_\_\_ Date \_\_\_\_\_

Model Specified \_\_\_\_\_ Quantity \_\_\_\_\_

Customer/Wholesaler \_\_\_\_\_

Contractor \_\_\_\_\_

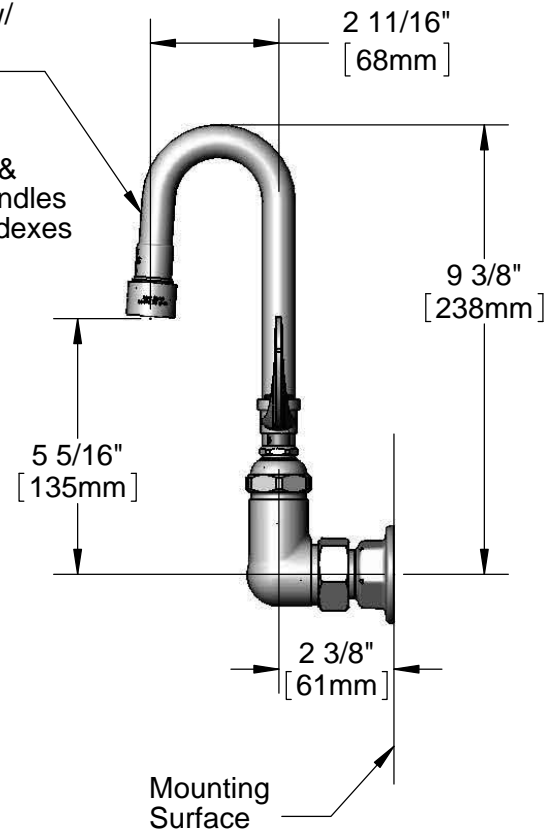
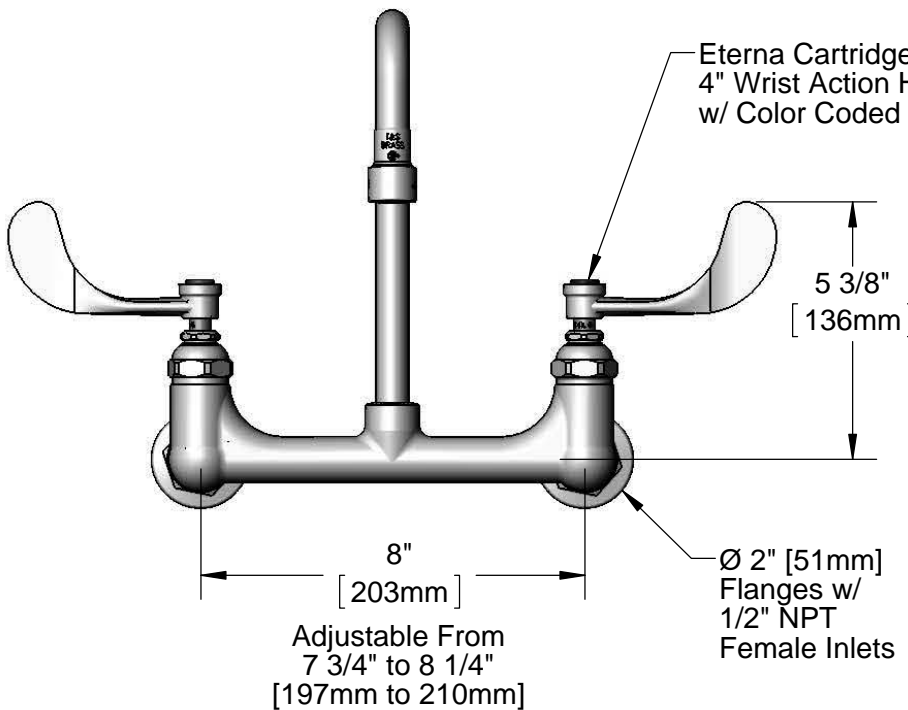
Architect/Engineer \_\_\_\_\_



**ADA Compliant**

Rigid Gooseneck w/  
B-0199-02-F10  
1.0 GPM Aerator

Eterna Cartridges &  
4" Wrist Action Handles  
w/ Color Coded Indexes



Ø 2" [51mm]  
Flanges w/  
1/2" NPT  
Female Inlets

Mounting  
Surface

### Product Specifications:

8" Wall Mount Mixing Faucet, Eterna Cartridges, 4" Wrist Action Handles, Rigid Gooseneck w/ 1.0 GPM Aerator & 1/2" NPT Female Inlets

### Product Compliance:

ASME A112.18.1 / CSA B125.1  
NSF 61 - Section 9  
NSF 372 (Low Lead Content)  
ANSI A117.1 (ADA)



# T&S BRASS AND BRONZE WORKS, INC.

2 Saddleback Cove / P.O. Box 1088  
Travelers Rest, SC 29690

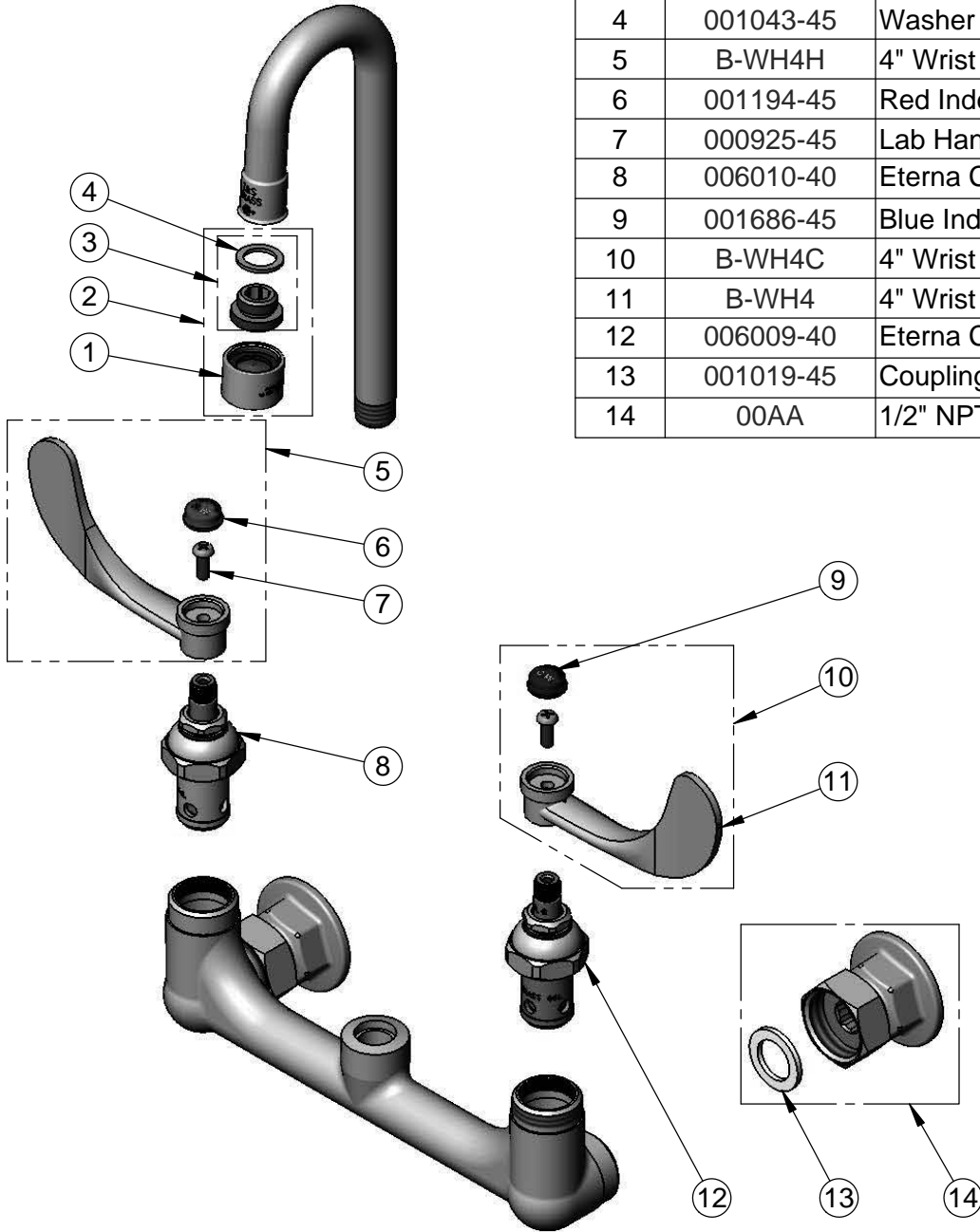
Model No.

**B-2443-F10**

Item No.

Travelers Rest, SC: 800-476-4103 • Simi Valley, CA: 800-423-0150 • Fax: 864-834-3518 • www.tsbrass.com

| ITEM NO. | SALES NO.     | DESCRIPTION                                |
|----------|---------------|--|
| 1        | B-0199-01-F10 | 1.0 GPM Aerator, 55/64-27 UN Female        |
| 2        | B-0199-02-F10 | 1.0 GPM Aerator, 3/8" NPSM Male            |
| 3        | 044A          | 3/8" NPSM Male x Aerator Adapter           |
| 4        | 001043-45     | Washer                                     |
| 5        | B-WH4H        | 4" Wrist Action Handle, Screw & Hot Index  |
| 6        | 001194-45     | Red Index - HW                             |
| 7        | 000925-45     | Lab Handle Screw                           |
| 8        | 006010-40     | Eterna Cartridge, RTC (Teflon)             |
| 9        | 001686-45     | Blue Index - CW                            |
| 10       | B-WH4C        | 4" Wrist Action Handle, Screw & Cold Index |
| 11       | B-WH4         | 4" Wrist Action Handle                     |
| 12       | 006009-40     | Eterna Cartridge, LTC (Teflon)             |
| 13       | 001019-45     | Coupling Nut Washer                        |
| 14       | 00AA          | 1/2" NPT Female Eccentric Flange           |



**Product Specifications:**

8" Wall Mount Mixing Faucet, Eterna Cartridges, 4" Wrist Action Handles, Rigid Gooseneck w/ 1.0 GPM Aerator & 1/2" NPT Female Inlets

**Product Compliance:**

ASME A112.18.1 / CSA B125.1  
NSF 61 - Section 9  
NSF 372 (Low Lead Content)  
ANSI A117.1 (ADA)