



T&S BRASS AND BRONZE WORKS, INC.

2 Saddleback Cove / P.O. Box 1088
Travelers Rest, SC 29690

Model No.

B-2443

Item No.

Travelers Rest, SC: 800-476-4103 • Simi Valley, CA: 800-423-0150 • Fax: 864-834-3518 • www.tsbrass.com



ADA Compliant

This Space for Architect/Engineer Approval

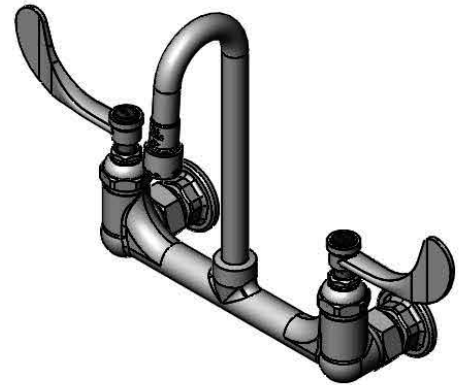
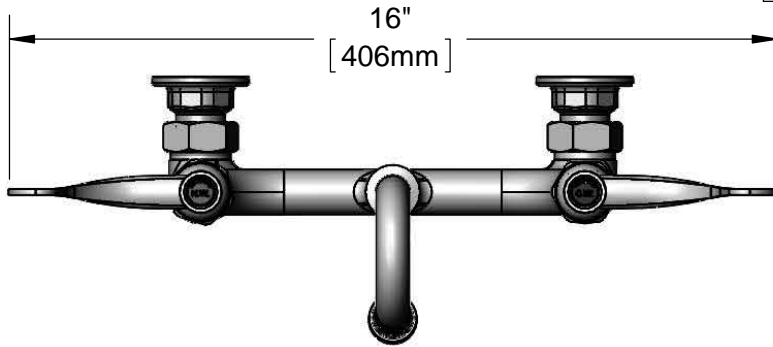
Job Name _____ Date _____

Model Specified _____ Quantity _____

Customer/Wholesaler _____

Contractor _____

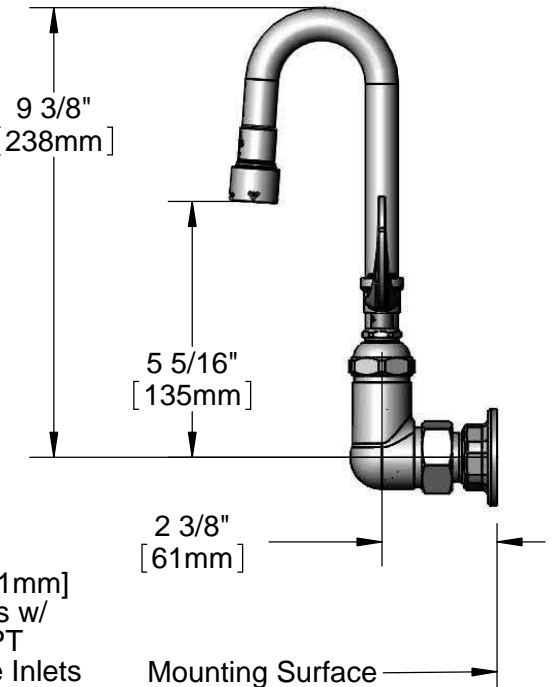
Architect/Engineer _____



Eterna Cartridges & 4" Wrist Action Handles w/ Color Coded Indexes

Rigid Gooseneck w/ B-0199-07 2.2 GPM Vandal Resistant Aerator

5 7/16" [138mm]

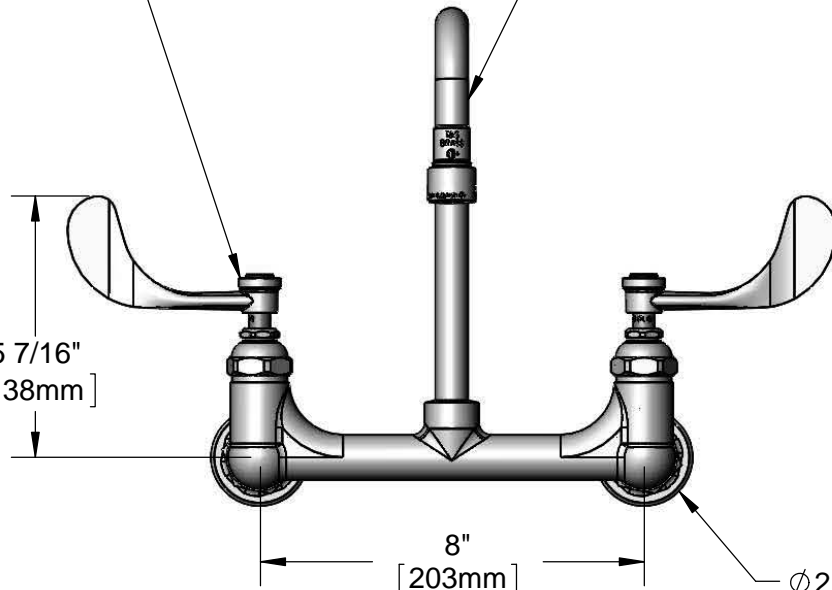


9 3/8" [238mm]

5 5/16" [135mm]

2 3/8" [61mm]

Mounting Surface



8" [203mm]
Adjustable From 7 3/4" to 8 1/4" [197mm to 210mm]

Ø2" [51mm] Flanges w/ 1/2" NPT Female Inlets

Product Specifications:

8" Wall Mount Mixing Faucet, Eterna Cartridges, 4" Wrist Action Handles, Rigid Gooseneck w/ 2.2 GPM Vandal Resistant Aerator & 1/2" NPT Female Inlets

Product Compliance:

ASME A112.18.1 / CSA B125.1
NSF 61 - Section 9
NSF 372 (Low Lead Content)
ANSI A117.1 (ADA)



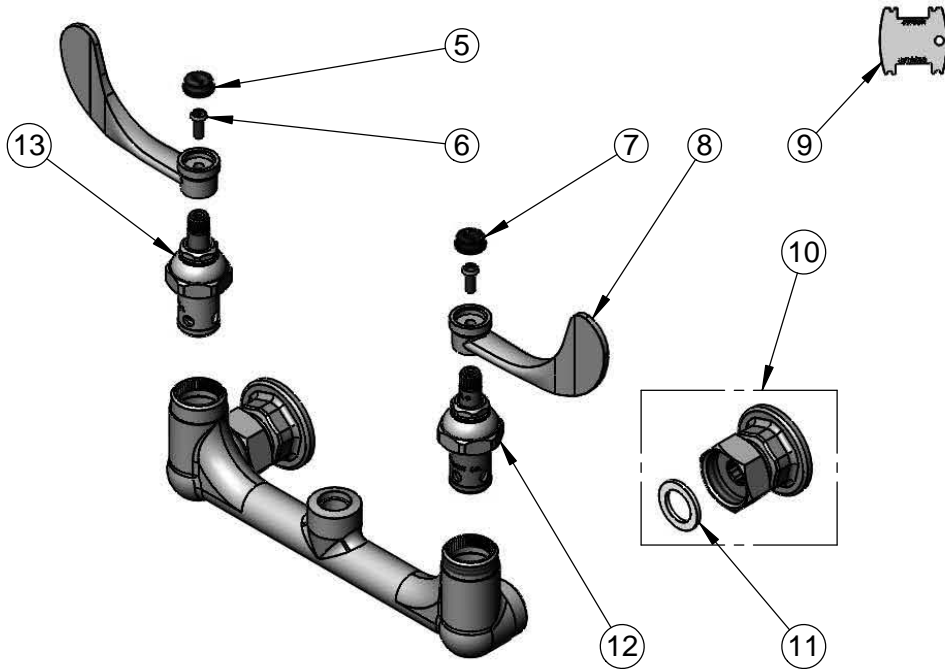
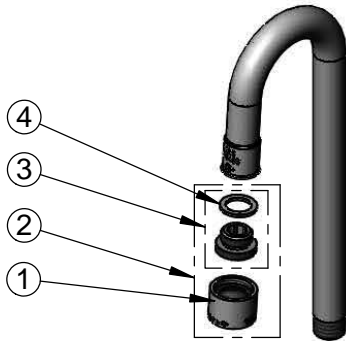
T&S BRASS AND BRONZE WORKS, INC.
 2 Saddleback Cove / P.O. Box 1088
 Travelers Rest, SC 29690

Model No.
B-2443

Item No.

Travelers Rest, SC: 800-476-4103 • Simi Valley, CA: 800-423-0150 • Fax: 864-834-3518 • www.tsbrass.com

ITEM NO.	SALES NO.	DESCRIPTION
1	B-0199-06	VR 2.2 GPM Aerator w/ Key
2	B-0199-07	VR 2.2 GPM Aerator, 3/8" NPSM Male w/ Key
3	044A	3/8" to Aerator Adapter
4	001043-45	Washer
5	001194-45	Red HW Index
6	000925-45	Lab Handle Screw
7	001686-45	Blue CW Index
8	B-WH4	4" Wrist Action Handle
9	015425-45	Vandal Resistant Key
10	00AA	1/2" NPT Female Eccentric Flange
11	001019-45	Coupling Nut Washer
12	006009-40	Eterna Cartridge, LTC (Teflon)
13	006010-40	Eterna Cartridge, RTC (Teflon)



Product Specifications:

8" Wall Mount Mixing Faucet, Eterna Cartridges, 4" Wrist Action Handles, Rigid Gooseneck w/ 2.2 GPM Vandal Resistant Aerator & 1/2" NPT Female Inlets

Product Compliance:

ASME A112.18.1 / CSA B125.1
 NSF 61 - Section 9
 NSF 372 (Low Lead Content)
 ANSI A117.1 (ADA)