



**T&S BRASS AND BRONZE WORKS, INC.**  
 2 Saddleback Cove / P.O. Box 1088  
 Travelers Rest, SC 29690

Model No.  
**B-2455-CR-C**

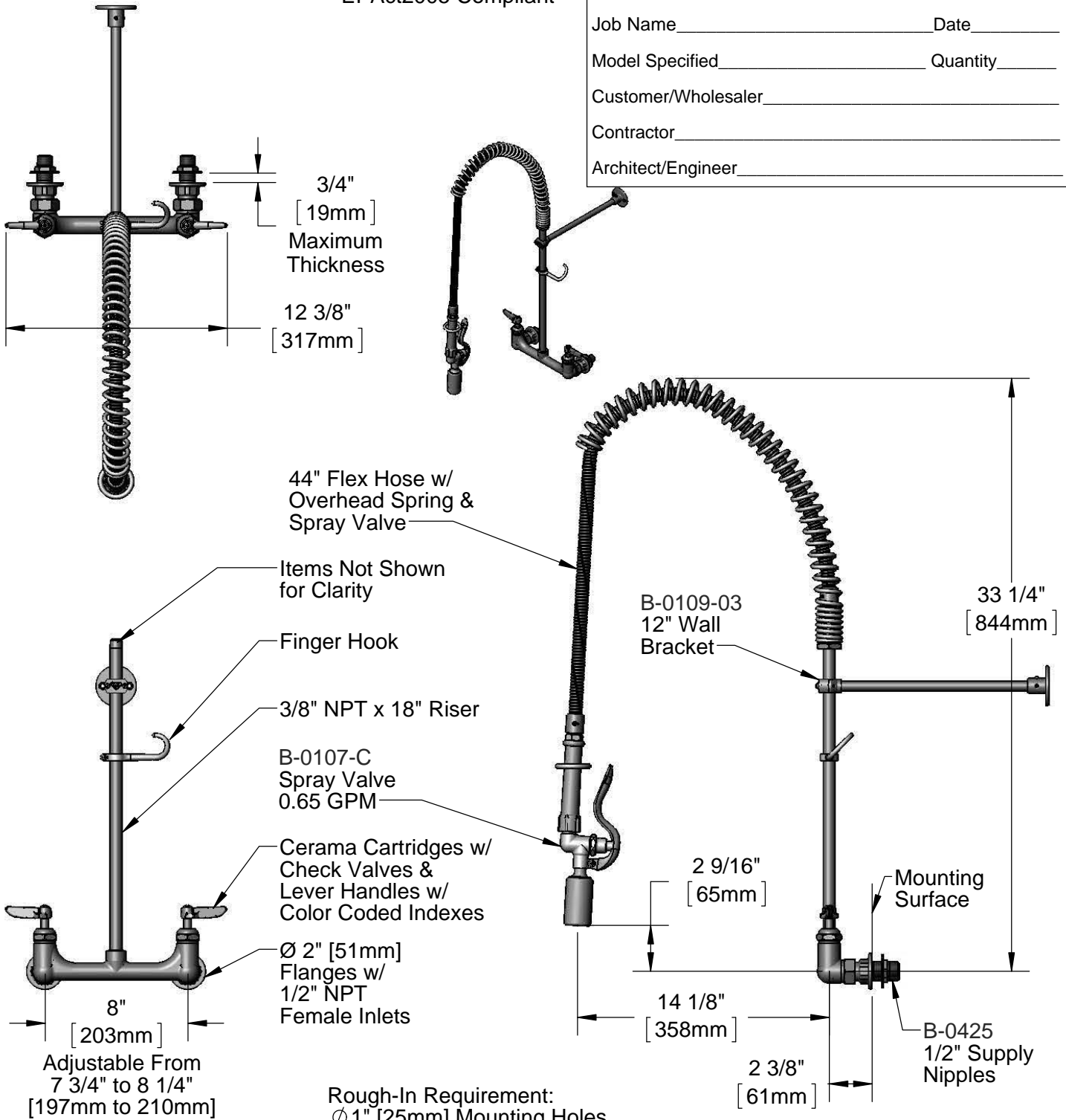
Item No.

Travelers Rest, SC: 800-476-4103 • Simi Valley, CA: 800-423-0150 • Fax: 864-834-3518 • www.tsbrass.com

EPAct2005 Compliant

This Space for Architect/Engineer Approval

Job Name \_\_\_\_\_ Date \_\_\_\_\_  
 Model Specified \_\_\_\_\_ Quantity \_\_\_\_\_  
 Customer/Wholesaler \_\_\_\_\_  
 Contractor \_\_\_\_\_  
 Architect/Engineer \_\_\_\_\_



Product Specifications:

**Pre-Rinse Unit:**  
 8" Wall Mount Mixing Faucet, 1/2" NPT Female Inlets, 1/2" Supply Nipples, Cerama Cartridges w/ Check Valves, 18" Riser, Overhead Spring, 44" Flex Hose, 12" Wall Bracket & 0.65 GPM Spray Valve

Drawn <b>KJG</b>	Checked <b>DMH</b>	Approved <b>JHB</b>
Scale: <b>1:16</b>		Date: <b>06/28/12</b>



# T&S BRASS AND BRONZE WORKS, INC.

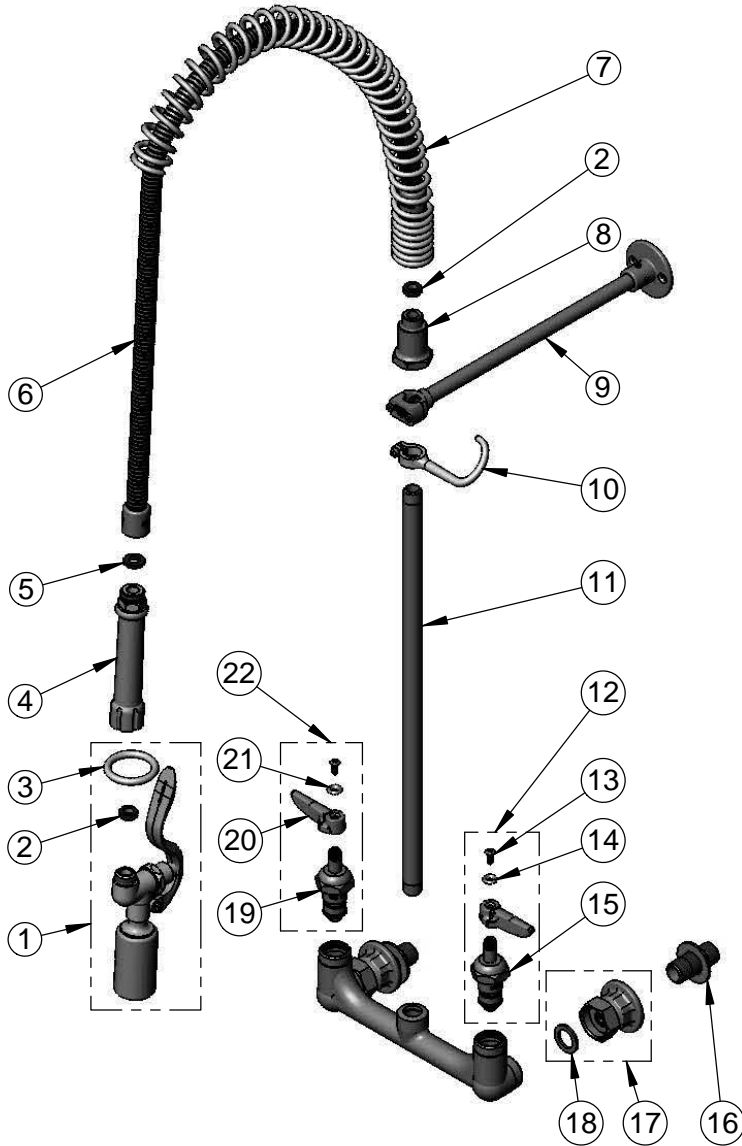
2 Saddleback Cove / P.O. Box 1088  
Travelers Rest, SC 29690

Model No.

**B-2455-CR-C**

Item No.

Travelers Rest, SC: 800-476-4103 • Simi Valley, CA: 800-423-0150 • Fax: 864-834-3518 • www.tsbrass.com



ITEM NO.	SALES NO.	DESCRIPTION
1	B-0107-C	0.65 GPM Spray Valve w/ Hold Down Ring & Washer
2	010476-45	#27 Washer
3	000907-45	Spray Valve Hold Down Ring
4	002987-40	Handle Grip
5	001014-45	Washer, B-0100 Hose Barrel
6	B-0044-H2A	44" SS Flex Hose Less Handle
7	000888-45	EasyInstall Overhead Spring
8	000821-40	Spring Body
9	B-0109-03	12" Wall Bracket
10	004R	Finger Hook Assembly
11	000369-40	3/8" NPT x 18" Riser
12	012447-25	Cerama Cartridge, LTC w/ Check Valve, Handle, Index & Screw
13	000922-45	Lever Handle Screw
14	001660-45	Blue Index-CW
15	012395-25	Cerama Cartridge, LTC w/ Bonnet & Check Valve
16	B-0425	Supply Nipple Asm, 1/2" x 2" Long
17	00AA	1/2" NPT Female Eccentric Flange
18	001019-45	Coupling Nut Washer
19	012394-25	Cerama Cartridge, RTC w/ Bonnet & Check Valve
20	001638-45	Lever Handle
21	001661-45	Red Index-HW
22	012446-25	Cerama Cartridge, RTC w/ Check Valve, Handle, Index & Screw

**Product Specifications:**

**Pre-Rinse Unit:**

8" Wall Mount Mixing Faucet, 1/2" NPT Female Inlets, 1/2" Supply Nipples, Cerama Cartridges w/ Check Valves, 18" Riser, Overhead Spring, 44" Flex Hose, 12" Wall Bracket & 0.65 GPM Spray Valve

Drawn

**KJG**

Checked

**DMH**

Approved

**JHB**

Scale:

**NTS**

Date:

**06/28/12**