



T&S BRASS AND BRONZE WORKS, INC.

2 Saddleback Cove / P.O. Box 1088
Travelers Rest, SC 29690

Model No.

B-2455

Item No.

Travelers Rest, SC: 800-476-4103 • Simi Valley, CA: 800-423-0150 • Fax: 864-834-3518 • www.tsbrass.com

This Space for Architect/Engineer Approval

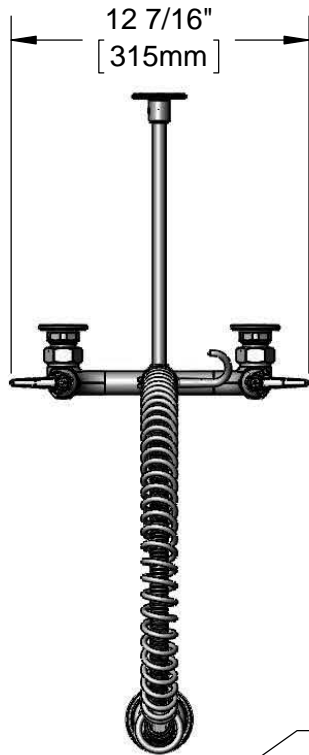
Job Name _____ Date _____

Model Specified _____ Quantity _____

Customer/Wholesaler _____

Contractor _____

Architect/Engineer _____



44" Flexible Stainless Steel Hose w/ Spring & Spray Valve

Items Not Shown For Clarity

Finger Hook

3/8" NPT x 18" Riser

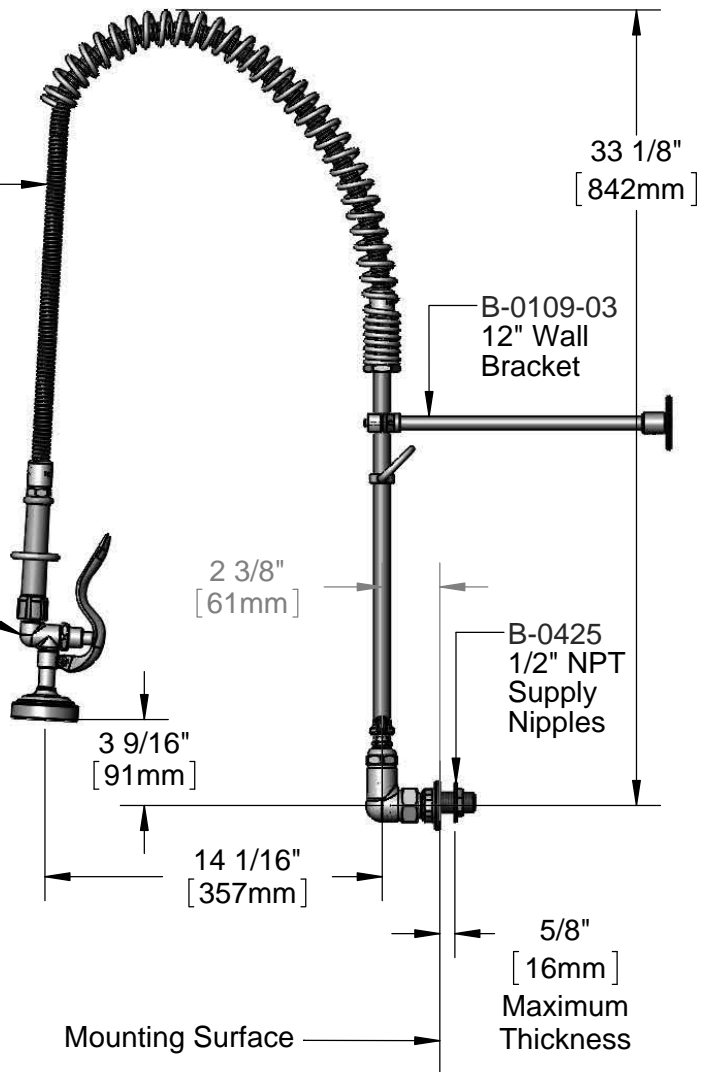
B-0107
1.42 GPM
Spray Valve

Eterna Cartridges w/
Spring Checks &
Lever Handles w/
Color Coded Indexes

3 11/16"
[94mm]

8"
[203mm]
Adjustable From
7 3/4" to 8 1/4"
[197mm to 210mm]

Ø2"
[51mm]
Flanges w/
1/2" NPT
Female Inlets



33 1/8"
[842mm]

B-0109-03
12" Wall
Bracket

2 3/8"
[61mm]

B-0425
1/2" NPT
Supply
Nipples

3 9/16"
[91mm]

14 1/16"
[357mm]

5/8"
[16mm]
Maximum
Thickness

Mounting Surface

Rough-In Requirement:
(2) Ø 1" [25mm] Mounting Holes

Product Specifications:

Pre-Rinse Unit: 8" Wall Mount Mixing Faucet, Eterna Cartridges w/ Spring Checks, Lever Handles, 44" Flexible Stainless Steel Hose, 1.42 GPM Spray Valve, 12" Wall Bracket & 1/2" NPT Female Inlets

Product Compliance:

ASME A112.18.1 / CSA B125.1
NSF 61 - Section 9
NSF 372 (Low Lead Content)
EPA Act 2005 (PRSV)



T&S BRASS AND BRONZE WORKS, INC.

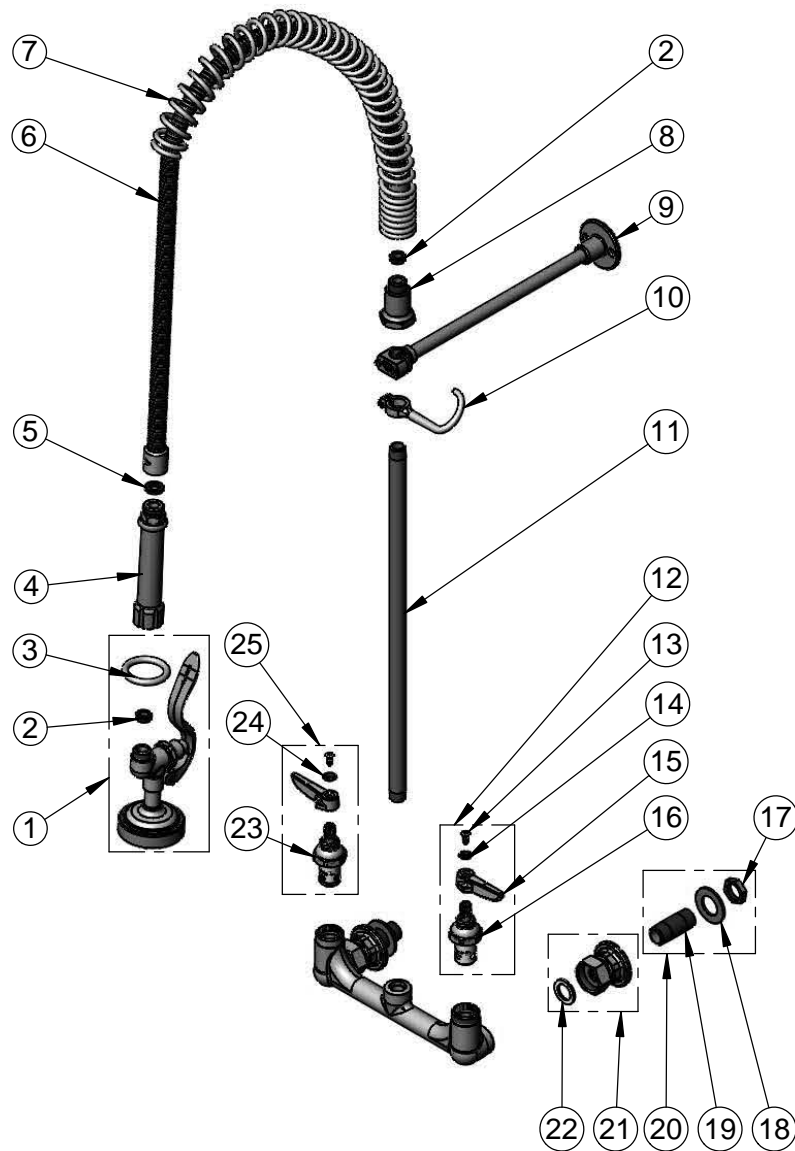
2 Saddleback Cove / P.O. Box 1088
Travelers Rest, SC 29690

Model No.

B-2455

Item No.

Travelers Rest, SC: 800-476-4103 • Simi Valley, CA: 800-423-0150 • Fax: 864-834-3518 • www.tsbrass.com



ITEM NO.	SALES NO.	DESCRIPTION
1	B-0107	1.42 GPM Spray Valve
2	010476-45	#27 Washer
3	000907-45	Spray Valve Hold Down Ring
4	002987-40	Grip Handle
5	001014-45	Washer, B-0100 Hose Barrel
6	B-0044-H2A	44" Flexible Stainless Steel Hose, Less Handle
7	000888-45	EasyInstall Overhead Spring
8	000821-40	Spring Body
9	B-0109-03	12" Wall Bracket
10	004R	Finger Hook
11	000369-40	3/8" NPT x 18" Riser
12	002711-40	Eterna Cartridge, LTC w/ Spring Check, Handle, Index & Screw
13	000922-45	Lever Handle Screw
14	001660-45	Blue Index-CW
15	001638-45	Lever Handle
16	012442-40	Eterna Cartridge, LTC w/ Spring Check
17	002954-45	Shank Lock Nut
18	000999-45	Brass Lock Washer
19	000422-20	1/2" NPT x 2" Nipple
20	B-0425	1/2" NPT Supply Nipple Kit
21	00AA	1/2" NPT Female Eccentric Flange
22	001019-45	Coupling Nut Washer
23	012443-40	Eterna Cartridge, RTC w/ Spring Check
24	001661-45	Red Index-HW
25	002712-40	Eterna Cartridge, RTC w/ Spring Check, Handle, Index & Screw

Product Specifications:

Pre-Rinse Unit: 8" Wall Mount Mixing Faucet, Eterna Cartridges w/ Spring Checks, Lever Handles, 44" Flexible Stainless Steel Hose, 1.42 GPM Spray Valve, 12" Wall Bracket & 1/2" NPT Female Inlets

Product Compliance:

ASME A112.18.1 / CSA B125.1
NSF 61 - Section 9
NSF 372 (Low Lead Content)
EPA Act 2005 (PRSV)