



T&S BRASS AND BRONZE WORKS, INC.
 2 Saddleback Cove / P.O. Box 1088
 Travelers Rest, SC 29690

Model No.
B-2465

Item No.

Travelers Rest, SC: 800-476-4103 • Simi Valley, CA: 800-423-0150 • Fax: 864-834-3518 • www.tsbrass.com



ADA Compliant

This Space for Architect/Engineer Approval

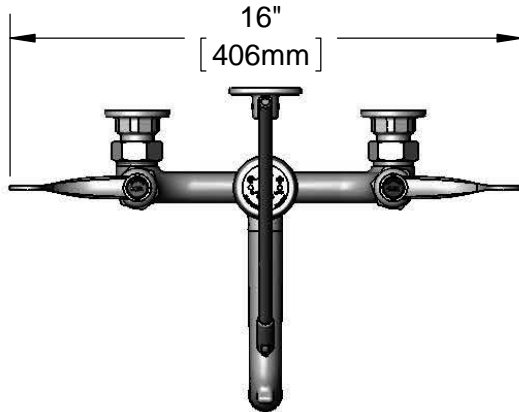
Job Name _____ Date _____

Model Specified _____ Quantity _____

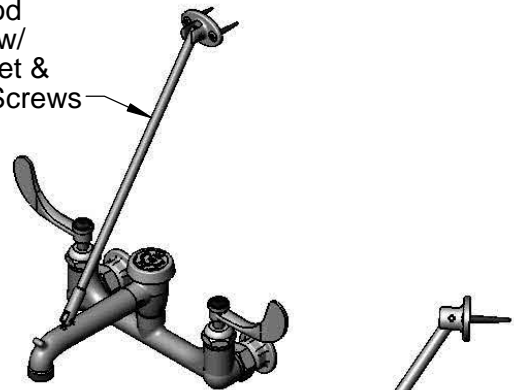
Customer/Wholesaler _____

Contractor _____

Architect/Engineer _____



Support Rod
 Furnished w/
 Wall Bracket &
 Mounting Screws



B-0969
 1/2" Vacuum
 Breaker

Wall Brace
 Not Shown
 For Clarity

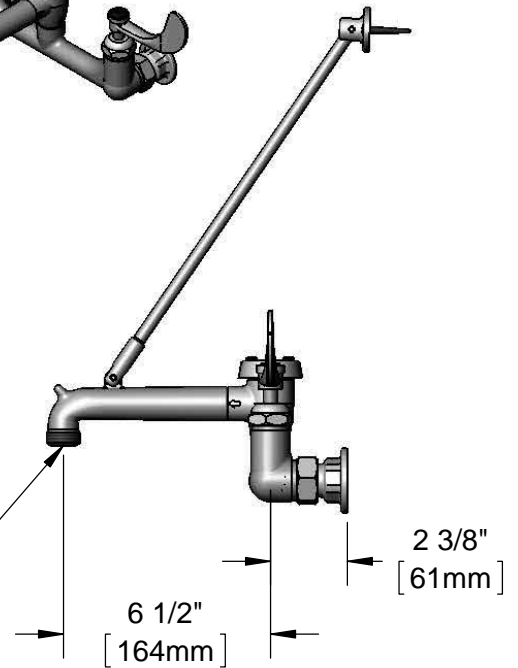
5 5/16"
 [135mm]

Cerama Cartridges
 w/ Check Valves &
 4" Wrist Action
 Handles w/ Color
 Coded Indexes

8"
 [203mm]
 Adjustable From
 7 3/4" to 8 1/4"
 [197mm to 210mm]

Male Garden
 Hose Outlet

Ø2" [51mm]
 Flanges w/
 1/2" NPT
 Female Inlets



48" Black Rubber Flexible Hose w/
 Female Garden Hose Connector (1) End

Product Specifications:

8" Wall Mount Service Sink Mixing Faucet, Cerama Cartridges w/ Check Valves, 4" Wrist Action Handles, 1/2" NPT Vacuum Breaker, Upper Wall Brace, 48" Black Rubber Flexible Hose & 1/2" NPT Female Inlets

Product Compliance:

ASME A112.18.1 / CSA B125.1
 NSF 61 Exempt (Non-Potable)
 ANSI A117.1 (ADA)
 ASSE 1001



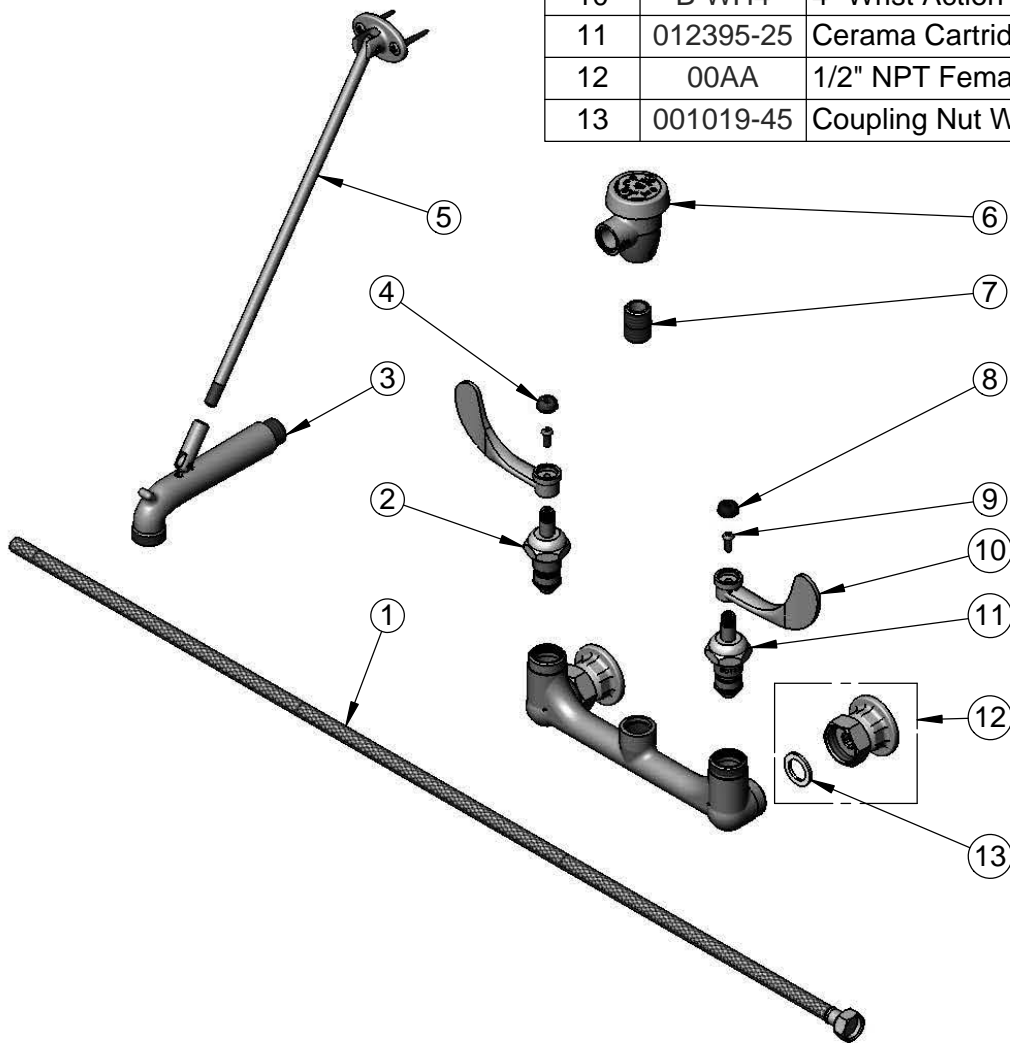
T&S BRASS AND BRONZE WORKS, INC.
 2 Saddleback Cove / P.O. Box 1088
 Travelers Rest, SC 29690

Model No.
B-2465

Item No.

Travelers Rest, SC: 800-476-4103 • Simi Valley, CA: 800-423-0150 • Fax: 864-834-3518 • www.tsbrass.com

ITEM NO.	SALES NO.	DESCRIPTION
1	B-0618-02	48" Black Rubber Hose w/ GH Inlet
2	012394-25	Cerama Cartridge, RTC w/ Check Valve
3	009545-40	Nozzle, Polish Chrome w/ Top Support Clevis
4	001194-45	Red Index - HW
5	009546-40	Upper Support Rod, Polish Chrome w/ Mounting Screws
6	B-0969	Vacuum Breaker, 1/2"
7	002534-25	Close Nipple, 1/2" NPT
8	001686-45	Blue Index - CW
9	000925-45	Lab Handle Screw
10	B-WH4	4" Wrist Action Handle
11	012395-25	Cerama Cartridge, LTC w/ Check Valve
12	00AA	1/2" NPT Female Eccentric Flange
13	001019-45	Coupling Nut Washer



Product Specifications:

8" Wall Mount Service Sink Mixing Faucet, Cerama Cartridges w/ Check Valves, 4" Wrist Action Handles, 1/2" NPT Vacuum Breaker, Upper Wall Brace, 48" Black Rubber Flexible Hose & 1/2" NPT Female Inlets

Product Compliance:

ASME A112.18.1 / CSA B125.1
 NSF 61 Exempt (Non-Potable)
 ANSI A117.1 (ADA)
 ASSE 1001