



T&S BRASS AND BRONZE WORKS, INC.

2 Saddleback Cove / P.O. Box 1088
Travelers Rest, SC 29690

Model No.

B-2466

Item No.

Travelers Rest, SC: 800-476-4103 • Simi Valley, CA: 800-423-0150 • Fax: 864-834-3518 • www.tsbrass.com

This Space for Architect/Engineer Approval

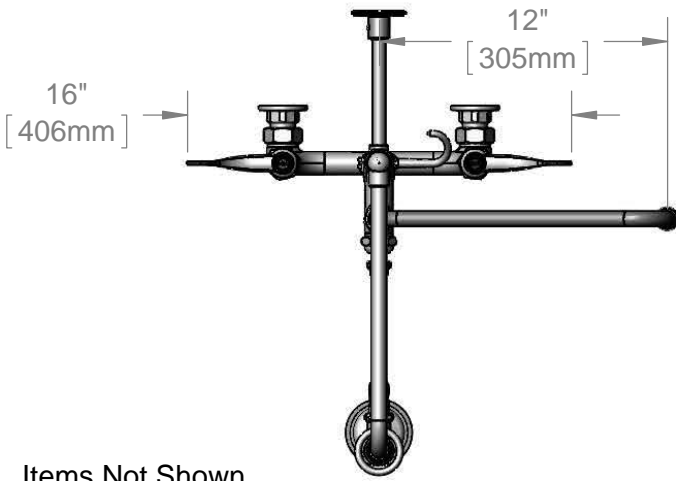
Job Name _____ Date _____

Model Specified _____ Quantity _____

Customer/Wholesaler _____

Contractor _____

Architect/Engineer _____



Items Not Shown
For Clarity

3/8" NPT
x 26" Riser

Finger Hook

Rigid Add-On Faucet
w/ Cerama & Lever
Handle

20" Flexible
Stainless Steel
Hose

062X
12" Swing Nozzle
w/ Stream Regulator
Outlet

B-0107
1.42 GPM
Spray Valve

360°
Swivel
Joint

(2) B-0109-01
Wall Bracket

11 7/8"
[301mm]

9 1/8"
[231mm]

5 5/16"
[134mm]

4 7/8"
[123mm]

2 3/8"
[61mm]

34"
[863mm]

8"
[203mm]
Adjustable From
7 3/4" to 8 1/4"
[197mm to 210mm]

Cerama Cartridges w/
Check Valves & 4" Wrist
Action Handles w/
Color Coded Indexes

11 1/4"
[285mm]

Ø 2" [51mm]
Flanges w/
1/2" NPT
Female Inlets

Product Specifications:

Pre-Rinse Unit: 8" Wall Mount Mixing Faucet, Cerama Cartridges w/ Check Valves, 4" Wrist Handles, 26" Riser, Overhead Swivel, 20" Flexible Stainless Steel Hose, 1.42 GPM Spray Valve, (2) 6" Wall Brackets & 1/2" NPT Female Inlets

Product Compliance:

ASME A112.18.1 / CSA B125.1
NSF 61 - Section 9
NSF 372 (Low Lead Content)
EPA Act 2005 (PRSV)



T&S BRASS AND BRONZE WORKS, INC.

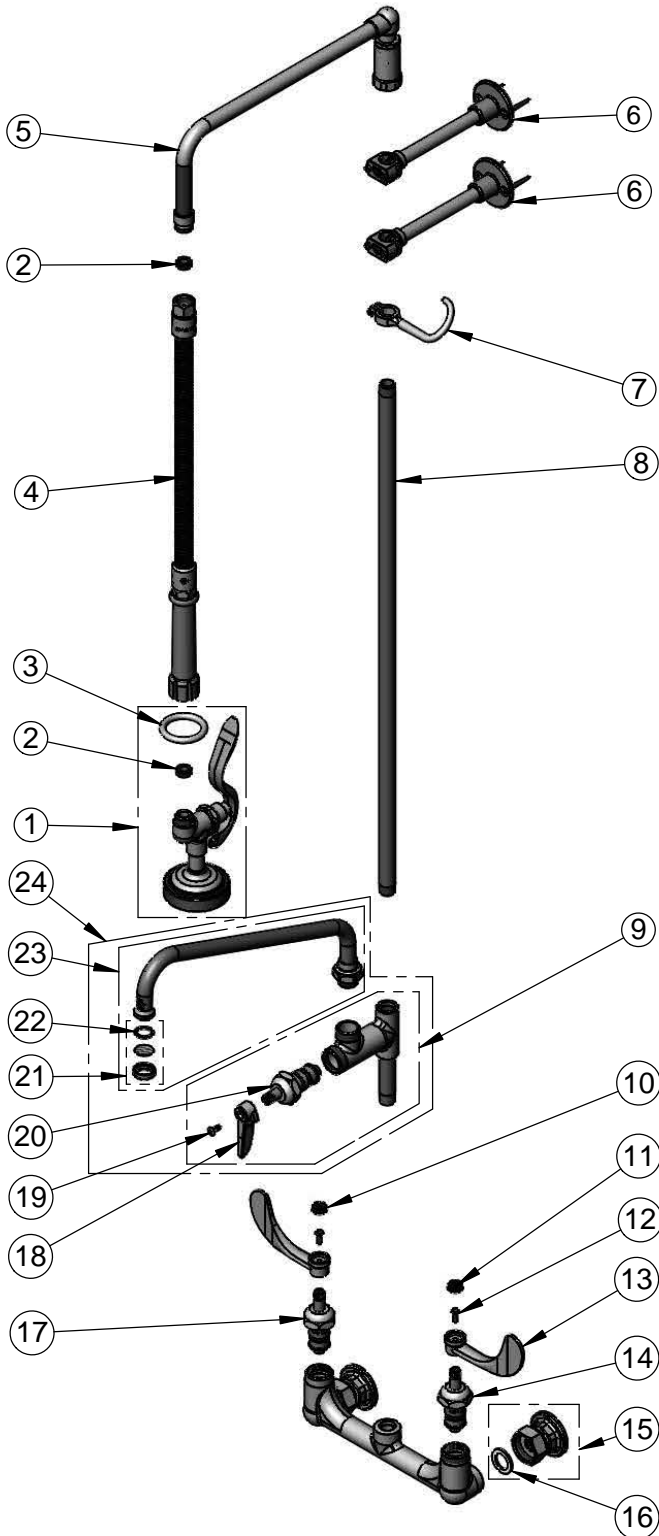
2 Saddleback Cove / P.O. Box 1088
Travelers Rest, SC 29690

Model No.

B-2466

Item No.

Travelers Rest, SC: 800-476-4103 • Simi Valley, CA: 800-423-0150 • Fax: 864-834-3518 • www.tsbrass.com



ITEM NO.	SALES NO.	DESCRIPTION
1	B-0107	1.42 GPM Spray Valve
2	010476-45	#27 Washer
3	000907-45	Spray Valve Hold Down Ring
4	B-0020-H	20" Flexible Stainless Steel Hose
5	002882-40	L-Tube Assembly, 12"
6	B-0109-01	6" Wall Bracket
7	004R	Finger Hook
8	000373-40	3/8" NPT x 26" Riser
9	B-0155-CR-LN	Add-On Faucet w/ Cerama & Less Nozzle
10	001194-45	Red Index - HW
11	001686-45	Blue Index - CW
12	000925-45	Lab Handle Screw
13	B-WH4	4" Wrist Action Handle
14	012395-25	Cerama Cartridge, LTC w/ Check Valve
15	00AA	1/2" NPT Female Eccentric Flange
16	001019-45	Coupling Nut Washer
17	012394-25	Cerama Cartridge, RTC w/ Check Valve
18	001638-45	Lever Handle
19	000922-45	Lever Handle Screw
20	011278-25	Cerama Cartridge, RTC
21	B-PT	Stream Regulator Outlet
22	001048-45	Nozzle Tip Washer
23	062X	12" Swing Nozzle
24	B-0156-CR	Add-On Faucet w/ Cerama & 12" Swing Nozzle

Product Specifications:

Pre-Rinse Unit: 8" Wall Mount Mixing Faucet, Cerama Cartridges w/ Check Valves, 4" Wrist Handles, 26" Riser, Overhead Swivel, 20" Flexible Stainless Steel Hose, 1.42 GPM Spray Valve, (2) 6" Wall Brackets & 1/2" NPT Female Inlets

Product Compliance:

ASME A112.18.1 / CSA B125.1
NSF 61 - Section 9
NSF 372 (Low Lead Content)
EPA Act 2005 (PRSV)