



# T&S BRASS AND BRONZE WORKS, INC.

2 Saddleback Cove / P.O. Box 1088  
Travelers Rest, SC 29690

Model No.

**B-2484**

Item No.

Travelers Rest, SC: 800-476-4103 • Simi Valley, CA: 800-423-0150 • Fax: 864-834-3518 • www.tsbrass.com

This Space for Architect/Engineer Approval

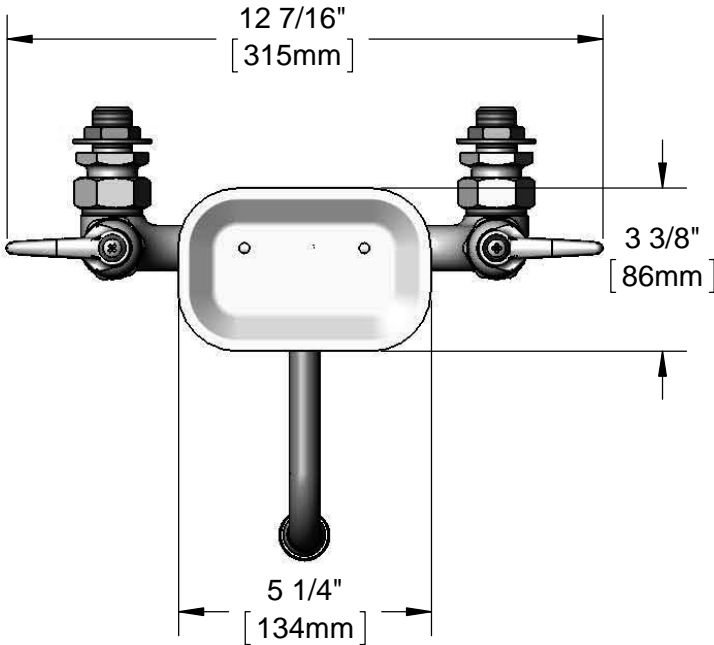
Job Name \_\_\_\_\_ Date \_\_\_\_\_

Model Specified \_\_\_\_\_ Quantity \_\_\_\_\_

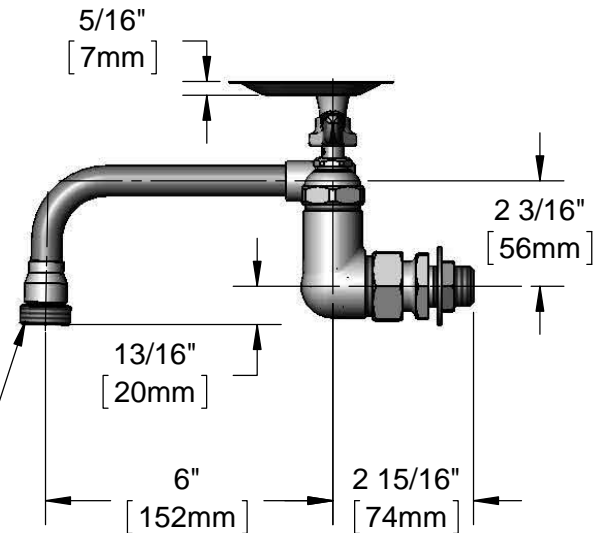
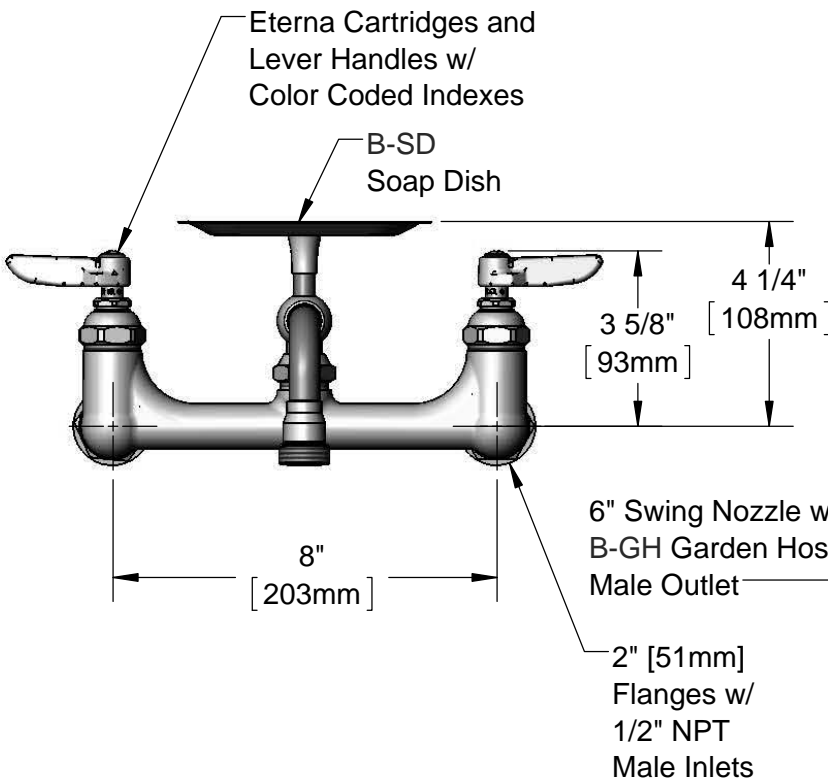
Customer/Wholesaler \_\_\_\_\_

Contractor \_\_\_\_\_

Architect/Engineer \_\_\_\_\_



**ADA Compliant**



**Product Specifications:**

8" Wall Mount Mixing Faucet, Eterna Cartridges, 6" Swing Nozzle w/ Garden Hose Male Outlet, Soap Dish, Lever Handles and 1/2" NPT Male Inlets

**Product Compliance:**

ASME A112.18.1 / CSA B125.1  
NSF 61 - Section 9  
NSF 372 (Low Lead Content)  
ANSI A117.1 (ADA)

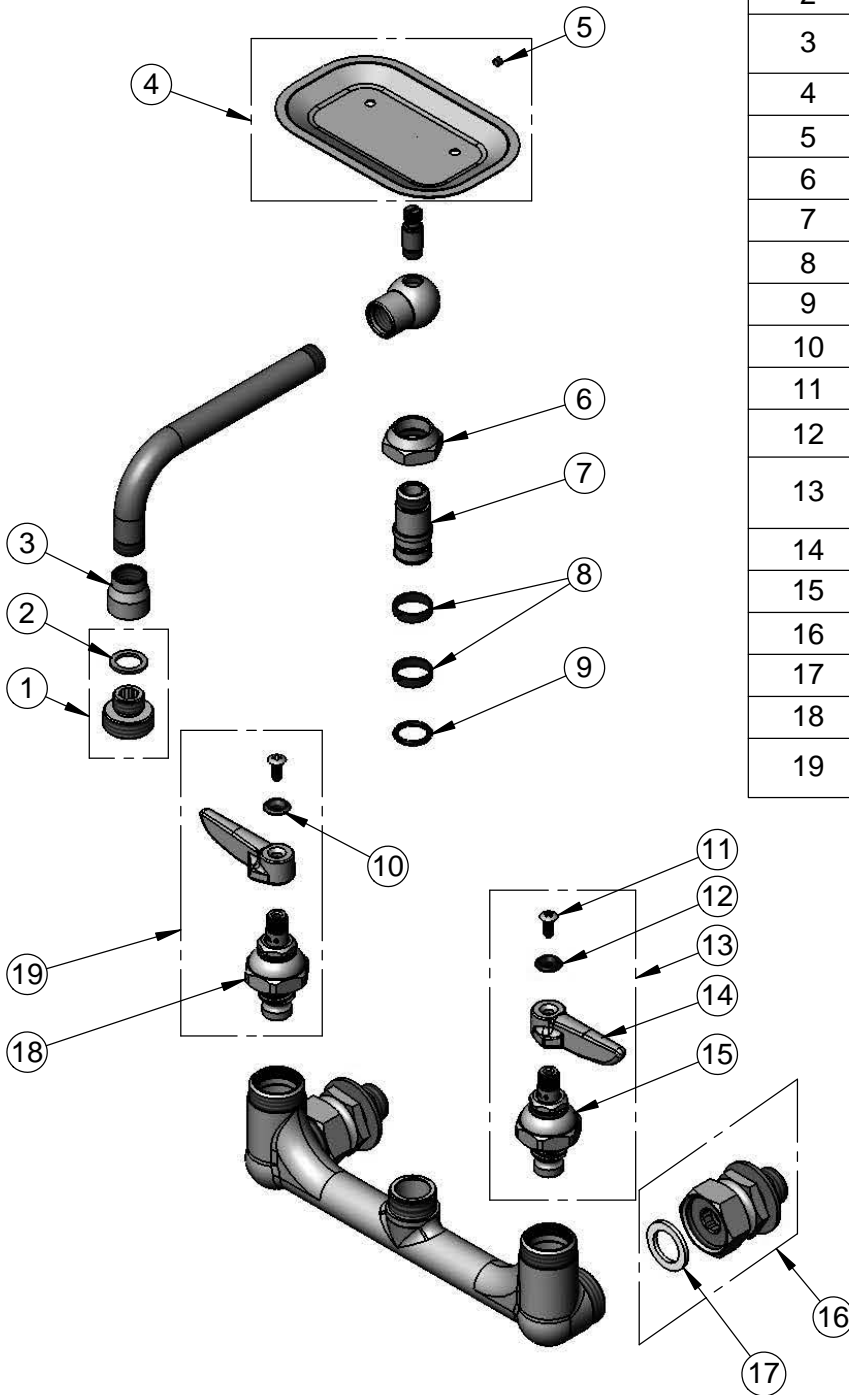


**T&S BRASS AND BRONZE WORKS, INC.**  
 2 Saddleback Cove / P.O. Box 1088  
 Travelers Rest, SC 29690

Model No.  
**B-2484**  
 Item No.

Travelers Rest, SC: 800-476-4103 • Simi Valley, CA: 800-423-0150 • Fax: 864-834-3518 • www.tsbrass.com

ITEM NO.	SALES NO.	DESCRIPTION
1	B-GH	Garden Hose Male Outlet
2	001043-45	Washer
3	000557-25	Bell Adapter, 5/8-27 UN Female x 3/8" NPSM Female
4	B-SD	Soap Dish w/ Set Screw
5	000939-45	Escutcheon, Set Screw
6	000711-40	Swivel Nut
7	000843-25	Swivel Body
8	011429-45	Swivel Sleeves (2)
9	001074-45	O-Ring
10	001661-45	Red Index-HW
11	000922-45	Lever Handle Screw
12	001660-45	Blue Index-CW
13	010016-40	Eterna Cartridge, LTC w/ Handle, Index & Screw
14	001638-45	Lever Handle
15	005959-40	Eterna Cartridge, LTC
16	00CC	1/2" NPT Male Inlet
17	001019-45	Coupling Nut Washer
18	005960-40	Eterna Cartridge, RTC
19	010015-40	Eterna Cartridge, RTC w/ Handle, Index & Screw



**Product Specifications:**  
 8" Wall Mount Mixing Faucet, Eterna Cartridges, 6" Swing Nozzle w/ Garden Hose Male Outlet, Soap Dish, Lever Handles and 1/2" NPT Male Inlets

Drawn: JBC    Checked: JRM    Approved: JHB    Date: 10/21/15

**Product Compliance:**  
 ASME A112.18.1 / CSA B125.1  
 NSF 61 - Section 9  
 NSF 372 (Low Lead Content)  
 ANSI A117.1 (ADA)

Scale: NTS    Sheet: 2 of 2