



T&S BRASS AND BRONZE WORKS, INC.
 2 Saddleback Cove / P.O. Box 1088
 Travelers Rest, SC 29690

Model No.
B-2487

Item No.

Travelers Rest, SC: 800-476-4103 • Simi Valley, CA: 800-423-0150 • Fax: 864-834-3518 • www.tsbrass.com



ADA Compliant

This Space for Architect/Engineer Approval

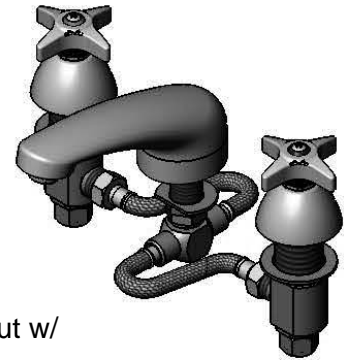
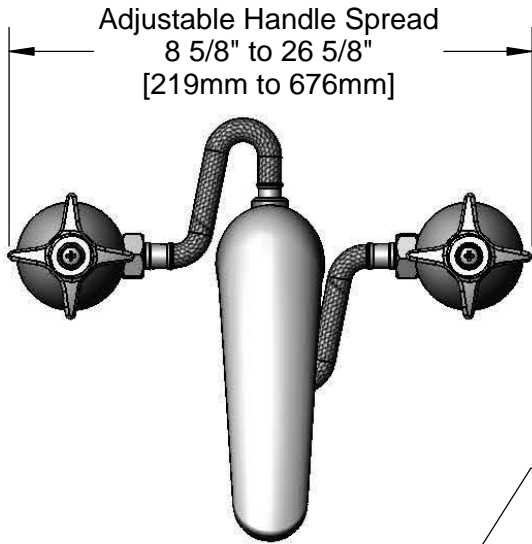
Job Name _____ Date _____

Model Specified _____ Quantity _____

Customer/Wholesaler _____

Contractor _____

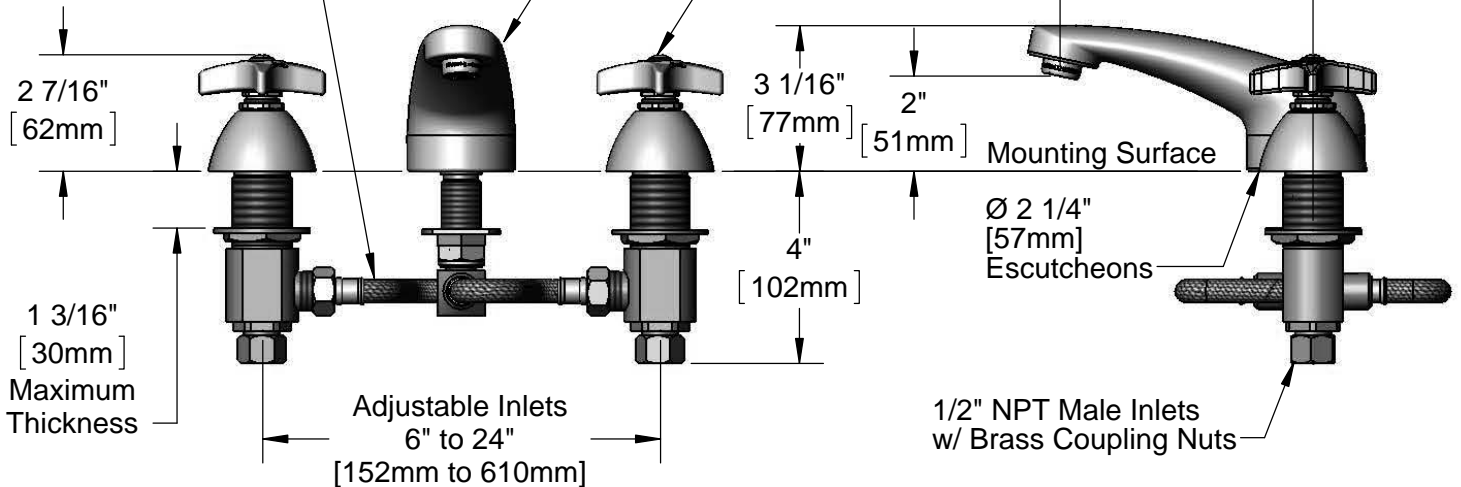
Architect/Engineer _____



5" Cast Spout w/
 B-0199-03
 2.2 GPM Aerator

Eterna Cartridges
 & 4-Arm Handles
 w/ Color Coded Indexes

12" Flexible Supply
 Hoses



Rough-In Requirements:
 Center Shank: ϕ 1" [25mm] Mounting Hole
 Hot/Cold Bodies: ϕ 1 1/2" [38mm] Mounting Holes

Product Specifications:
 Adjustable Deck Mount Mixing Faucet, Eterna Cartridges, 4-Arm Handles,
 5" Cast Spout w/ 2.2 GPM Aerator, 12" Flexible Supply Hoses & 1/2" NPT
 Inlets w/ Brass Coupling Nuts

Product Compliance:
 ASME A112.18.1 / CSA B125.1
 NSF 61 - Section 9
 NSF 372 (Low Lead Content)
 ANSI A117.1 (ADA)



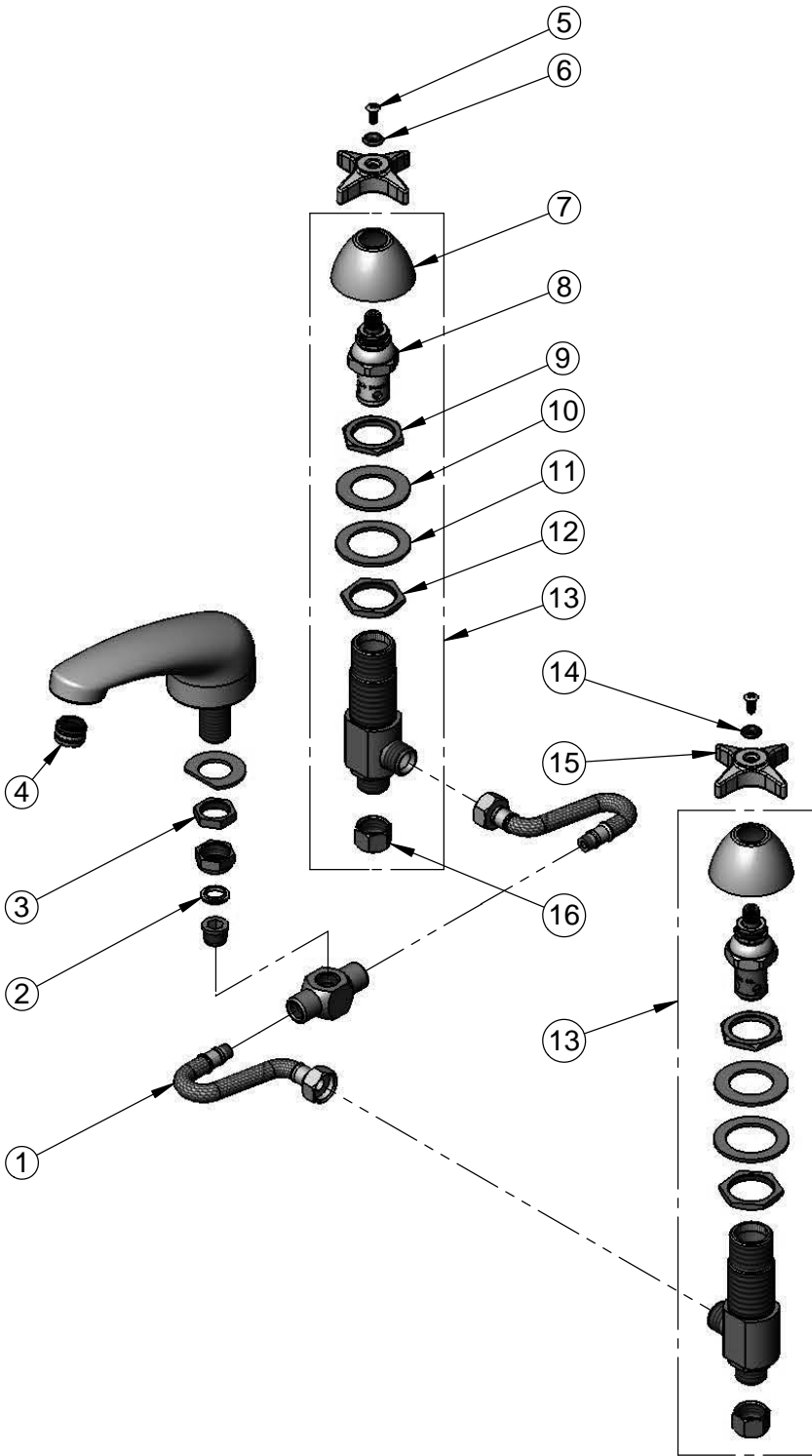
T&S BRASS AND BRONZE WORKS, INC.
 2 Saddleback Cove / P.O. Box 1088
 Travelers Rest, SC 29690

Model No.
B-2487

Item No.

Travelers Rest, SC: 800-476-4103 • Simi Valley, CA: 800-423-0150 • Fax: 864-834-3518 • www.tsbrass.com

ITEM NO.	SALES NO.	DESCRIPTION
1	011649-45	12" Flexible Supply Hose (2)
2	012702-45	Washer, Cross Body
3	002954-45	Shank Lock Nut
4	B-0199-03	2.2 GPM Aerator
5	000922-45	Lever Handle Screw
6	001661-45	Red Index-HW
7	001257-40	Bell Escutcheon
8	006478-40	Eterna Cartridge, RTC (Teflon) w/ Escutcheon Bonnet
9	000959-20	Side Body Top Lock Nut
10	002290-45	Lock Washer
11	001006-45	Washer
12	000960-20	Side Body Bottom Lock Nut
13	162A	Eterna Cartridge Side Body, RTC (Teflon) Less Handle
14	001660-45	Blue Index-CW
15	002521-45	4-Arm Handle
16	000958-20	Coupling Nut



Product Specifications:

Adjustable Deck Mount Mixing Faucet, Eterna Cartridges, 4-Arm Handles, 5" Cast Spout w/ 2.2 GPM Aerator, 12" Flexible Supply Hoses & 1/2" NPT Inlets w/ Brass Coupling Nuts

Product Compliance:

ASME A112.18.1 / CSA B125.1
 NSF 61 - Section 9
 NSF 372 (Low Lead Content)
 ANSI A117.1 (ADA)