



T&S BRASS AND BRONZE WORKS, INC.

2 Saddleback Cove / P.O. Box 1088
Travelers Rest, SC 29690

Model No.

B-2488

Item No.

Travelers Rest, SC: 800-476-4103 • Simi Valley, CA: 800-423-0150 • Fax: 864-834-3518 • www.tsbrass.com



ADA Compliant

This Space for Architect/Engineer Approval

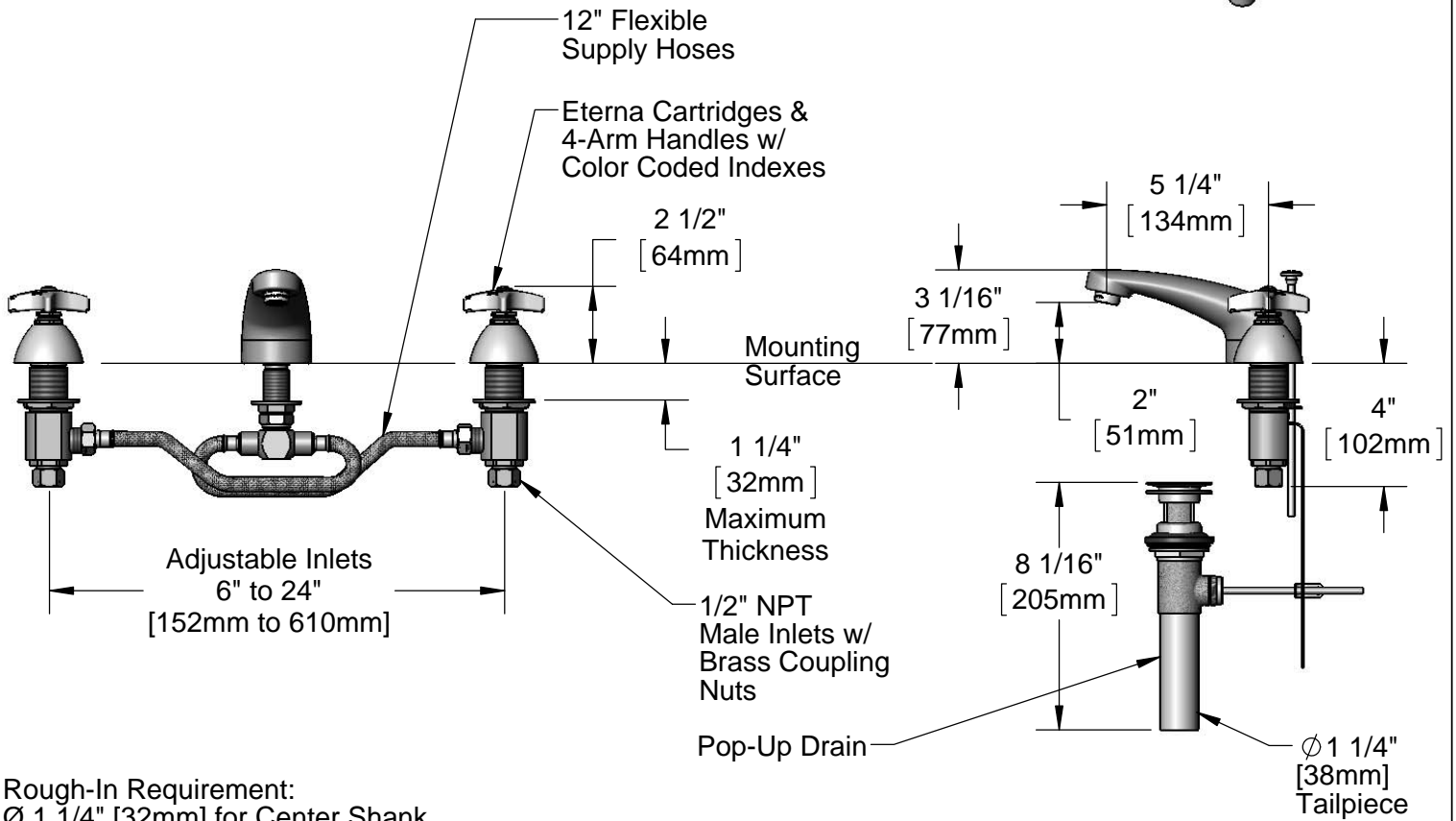
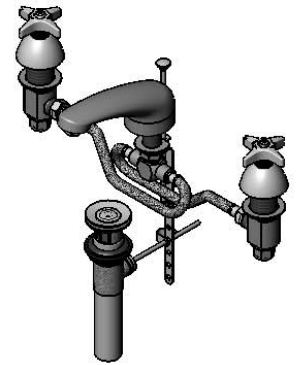
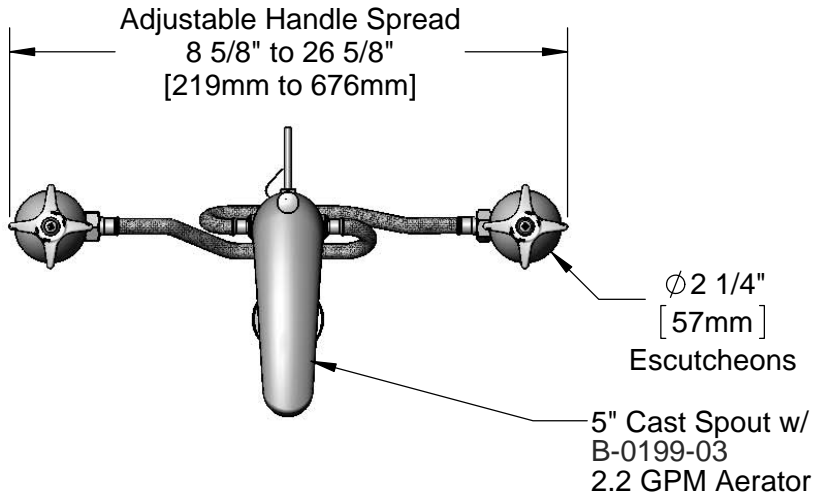
Job Name _____ Date _____

Model Specified _____ Quantity _____

Customer/Wholesaler _____

Contractor _____

Architect/Engineer _____



Rough-In Requirement:
Ø 1 1/4" [32mm] for Center Shank
Ø 1 1/2" [38mm] for Hot/Cold Side

Product Specifications:
Adjustable Deck Mount Mixing Faucet, Eterna Cartridges, 4-Arm Handles, 5" Cast Spout, 2.2 GPM Aerator, Pop-Up Drain, 12" Flexible Supply Hoses & 1/2" NPT Inlets w/ Coupling Nuts

Product Compliance:
ASME A112.18.1 / CSA B125.1
NSF 61 - Section 9
NSF 372 (Low Lead Content)
ANSI A117.1 (ADA)



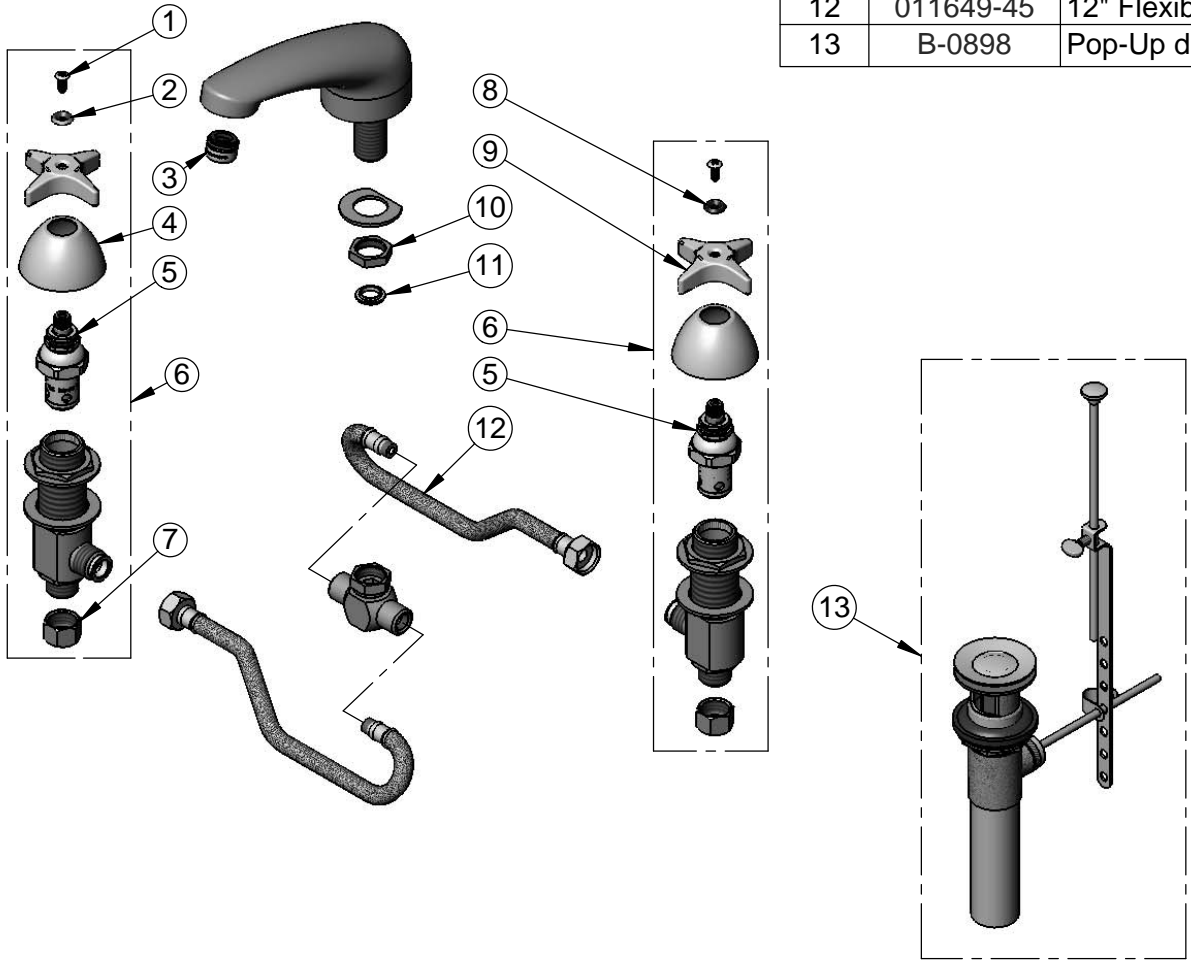
T&S BRASS AND BRONZE WORKS, INC.
 2 Saddleback Cove / P.O. Box 1088
 Travelers Rest, SC 29690

Model No.
B-2488

Item No.

Travelers Rest, SC: 800-476-4103 • Simi Valley, CA: 800-423-0150 • Fax: 864-834-3518 • www.tsbrass.com

ITEM NO.	SALES NO.	DESCRIPTION
1	000922-45	Lever Handle Screw
2	001661-45	Red Index-HW
3	B-0199-03	2.2 GPM Aerator
4	001257-40	Bell Escutcheon
5	006478-40	Eterna Cartridge, RTC (Teflon) w/ Escutcheon Bonnet
6	162A	B-0850 Side Body, RTC
7	000958-20	Coupling Nut
8	001660-45	Blue Index-CW
9	002521-45	4-Arm Handle
10	002954-45	Shank Lock Nut
11	012702-45	Washer
12	011649-45	12" Flexible Supply Hoses (2)
13	B-0898	Pop-Up drain



Product Specifications:
 Adjustable Deck Mount Mixing Faucet, Eterna Cartridges, 4-Arm Handles, 5" Cast Spout, 2.2 GPM Aerator, Pop-Up Drain, 12" Flexible Supply Hoses & 1/2" NPT Inlets w/ Coupling Nuts

Product Compliance:
 ASME A112.18.1 / CSA B125.1
 NSF 61 - Section 9
 NSF 372 (Low Lead Content)
 ANSI A117.1 (ADA)