



T&S BRASS AND BRONZE WORKS, INC.

2 Saddleback Cove / P.O. Box 1088
Travelers Rest, SC 29690

Model No.

B-2492

Item No.

Travelers Rest, SC: 800-476-4103 • Simi Valley, CA: 800-423-0150 • Fax: 864-834-3518 • www.tsbrass.com



ADA Compliant

This Space for Architect/Engineer Approval

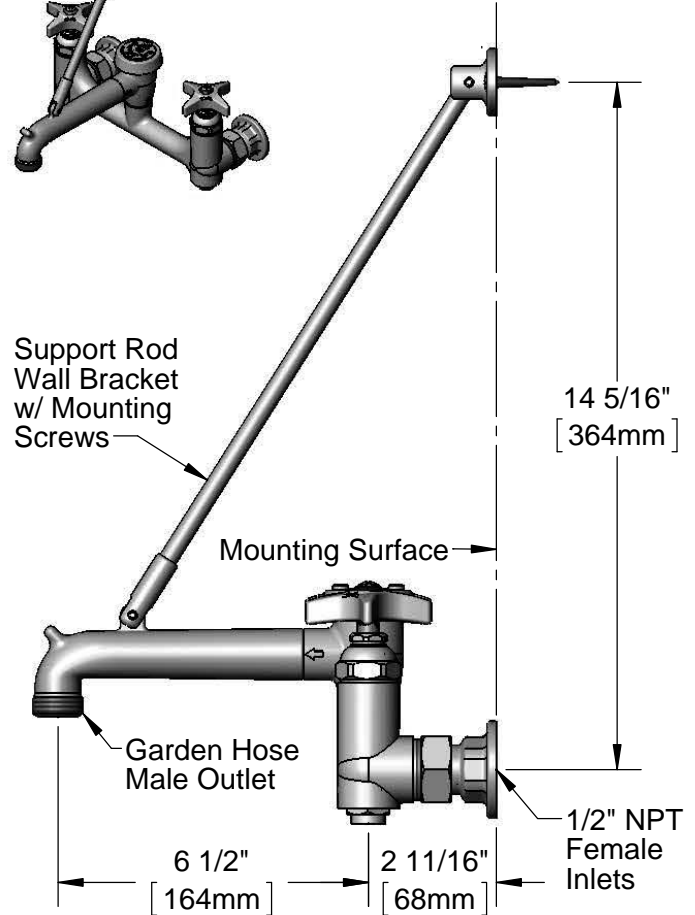
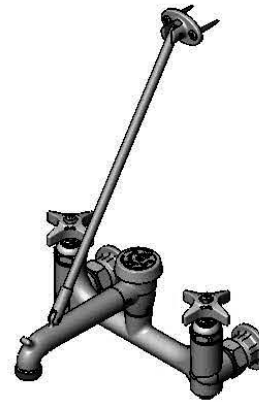
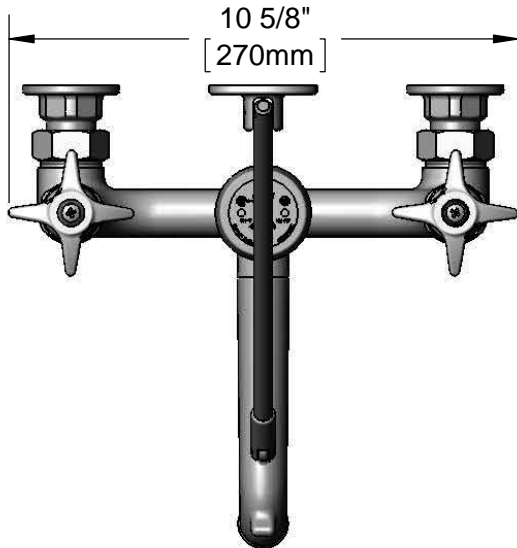
Job Name _____ Date _____

Model Specified _____ Quantity _____

Customer/Wholesaler _____

Contractor _____

Architect/Engineer _____



Eterna Cartridges w/
Spring Checks &
4-Arm Handles w/
Color Coded Indexes

B-0969
1/2" Vacuum
Breaker

Items Not Shown
for Clarity

Rough Chrome
Finish on Faucet
Body & Spout

Ø2"
[51mm]
Flanges

8"
[203mm]
Adjustable From
7 3/4" to 8 1/4"
[197mm to 210mm]

Integral
Service Stops

Support Rod
Wall Bracket
w/ Mounting
Screws

Mounting Surface

Garden Hose
Male Outlet

14 5/16"
[364mm]

1/2" NPT
Female
Inlets

6 1/2"
[164mm]

2 11/16"
[68mm]

Product Specifications:

8" Wall Mount Rough Chrome Service Sink Faucet, Eterna Cartridges w/ Spring Checks, 4-Arm Handles, Vacuum Breaker, Integral Service Stops & 1/2" NPT Female Inlets

Product Compliance:

ASME A112.18.1 / CSA B125.1
NSF 61 Exempt (Non-Potable)
ANSI A117.1 (ADA)
ASSE 1001 (VB)

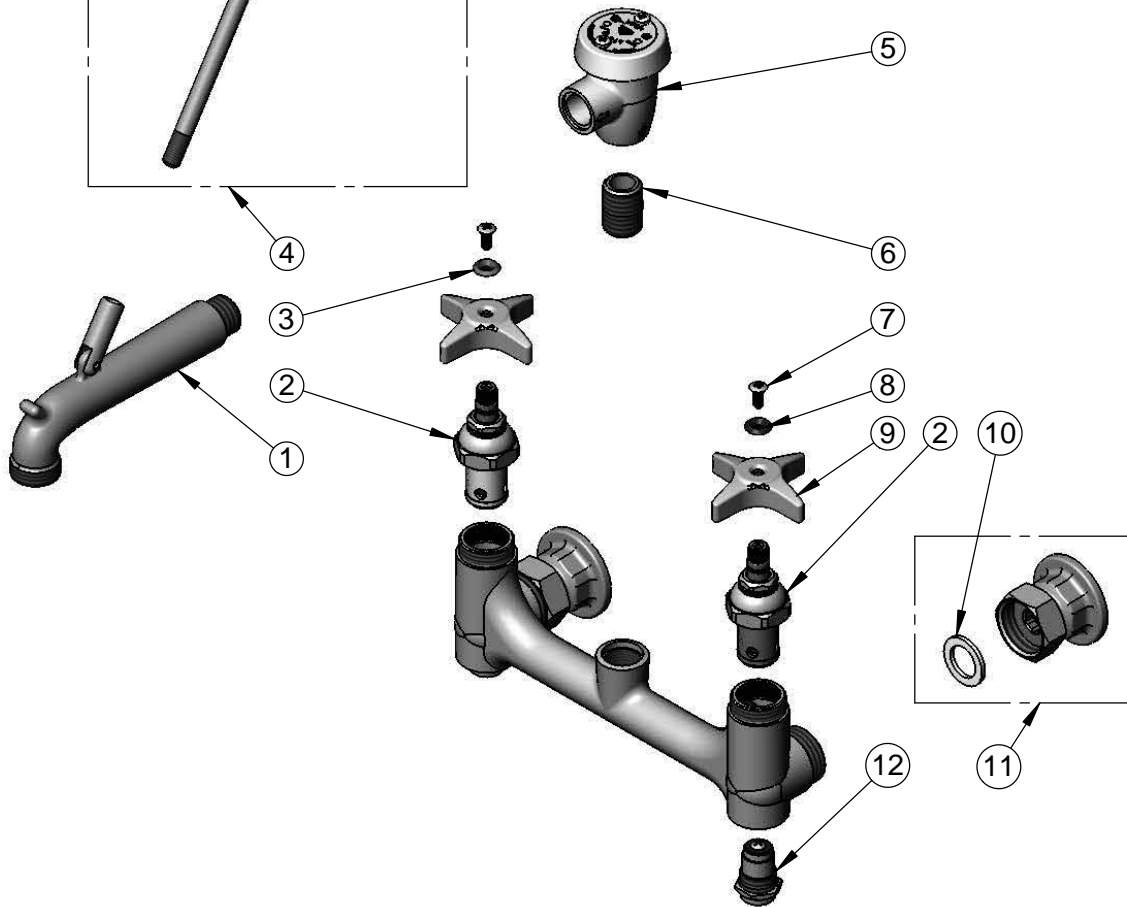
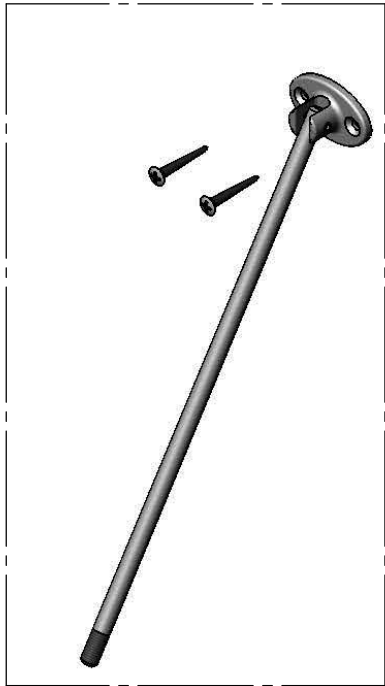


T&S BRASS AND BRONZE WORKS, INC.
 2 Saddleback Cove / P.O. Box 1088
 Travelers Rest, SC 29690

Model No.
B-2492
 Item No.

Travelers Rest, SC: 800-476-4103 • Simi Valley, CA: 800-423-0150 • Fax: 864-834-3518 • www.tsbrass.com

ITEM NO.	SALES NO.	DESCRIPTION
1	009545-25	Spout w/ Male GH Outlet & Upper Clevis - Rough Chrome
2	012443-40	Eterna Cartridge, RTC w/ Spring Check
3	001661-45	Red Index - HW
4	009546-40	Upper Support Rod
5	B-0969	1/2" NPT Vacuum Breaker
6	002534-25	Close Nipple, 1/2" NPT
7	000922-45	Lever Handle Screw
8	001660-45	Blue Index - CW
9	002521-45	4-Arm Handle
10	001019-45	Coupling Nut Washer
11	00AA	1/2" NPT Female Eccentric Flange
12	163A	Built-in Service Stop



Product Specifications:
 8" Wall Mount Rough Chrome Service Sink Faucet, Eterna Cartridges w/ Spring Checks, 4-Arm Handles, Vacuum Breaker, Integral Service Stops & 1/2" NPT Female Inlets

Product Compliance:
 ASME A112.18.1 / CSA B125.1
 NSF 61 Exempt (Non-Potable)
 ANSI A117.1 (ADA)
 ASSE 1001 (VB)