



T&S BRASS AND BRONZE WORKS, INC.
 2 Saddleback Cove / P.O. Box 1088
 Travelers Rest, SC 29690

Model No.
B-2501-CR

Item No.

Travelers Rest, SC: 800-476-4103 • Simi Valley, CA: 800-423-0150 • Fax: 864-834-3518 • www.tsbrass.com



ADA Compliant

This Space for Architect/Engineer Approval

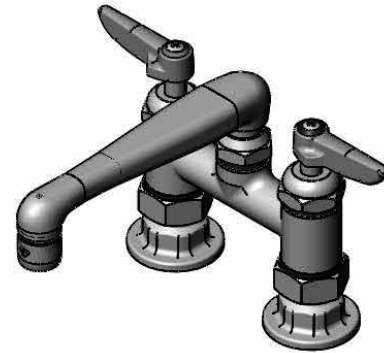
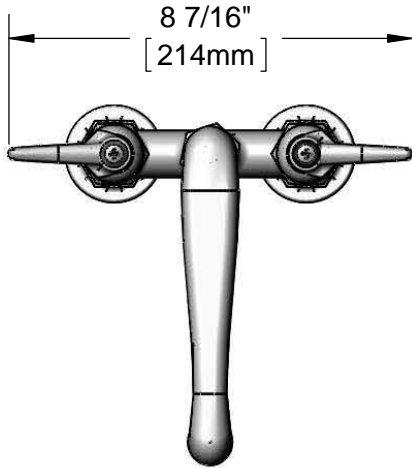
Job Name _____ Date _____

Model Specified _____ Quantity _____

Customer/Wholesaler _____

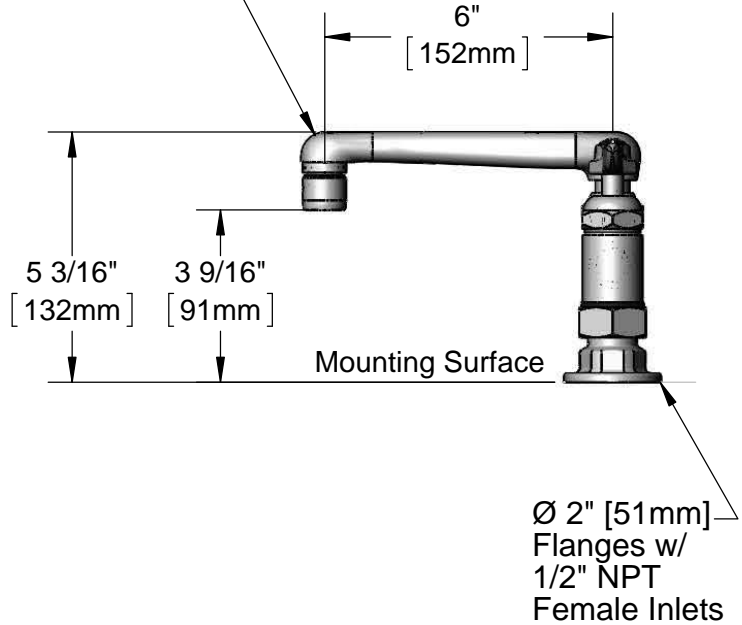
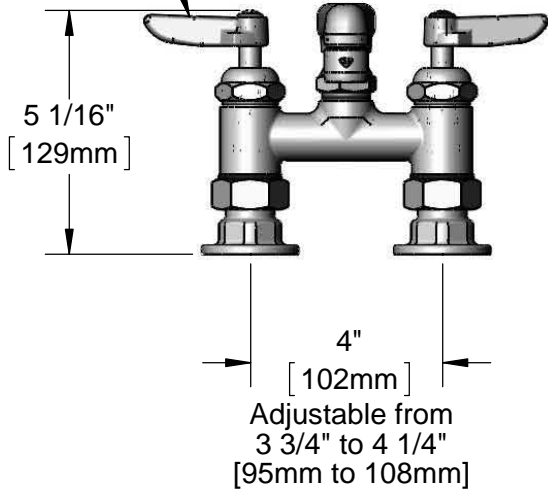
Contractor _____

Architect/Engineer _____



Cerama Cartridges
 & Lever Handles w/
 Color Coded Indexes

6" Swivel Cast Spout
 w/ 2.2 GPM Aerator



Product Specifications:

4" Deck Mount Mixing Faucet, Cerama Cartridges, Lever Handles,
 6" Cast Spout & 1/2" NPT Female Inlets

Drawn

DHL

Checked

DMH

Approved

JHB

Scale:

1:8

Date:

05/22/13



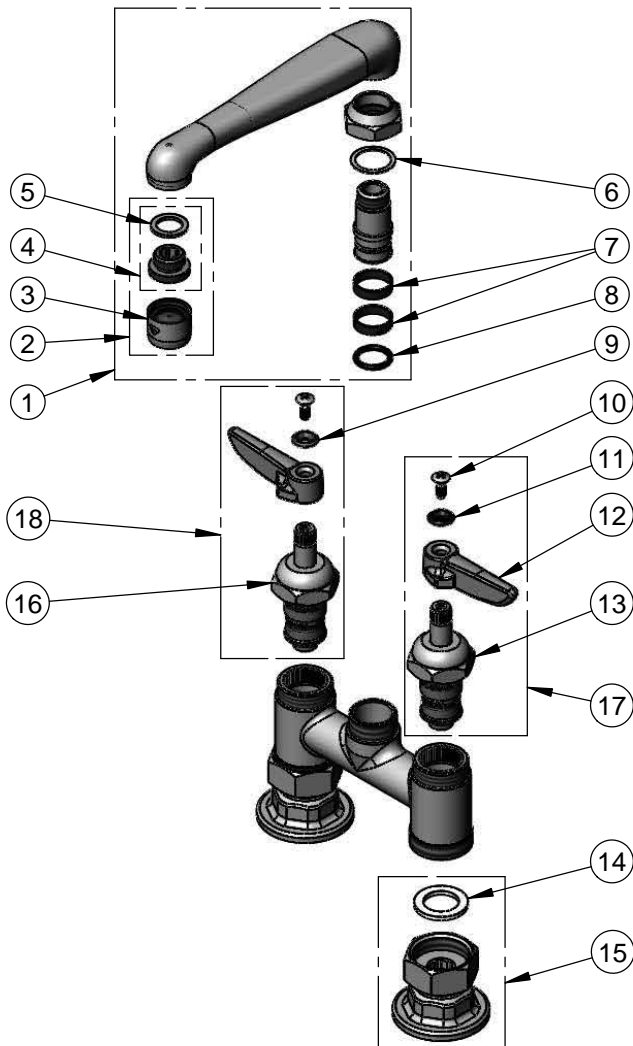
T&S BRASS AND BRONZE WORKS, INC.
 2 Saddleback Cove / P.O. Box 1088
 Travelers Rest, SC 29690

Model No.
B-2501-CR

Item No.

Travelers Rest, SC: 800-476-4103 • Simi Valley, CA: 800-423-0150 • Fax: 864-834-3518 • www.tsbrass.com

ITEM NO.	SALES NO.	DESCRIPTION
1	0CS6	6" Swivel Cast Spout w/ 2.2 GPM Aerator
2	B-0199-02	2.2 GPM Aerator, 3/8" NPSM Male
3	B-0199-01	2.2 GPM Aerator, 55/64"-27 UN Female
4	044A	3/8" to Aerator Adapter w/ Washer
5	001043-45	Washer
6	009E	Plastic Washer
7	011429-45	Swivel Sleeves (2)
8	001074-45	O-Ring
9	001661-45	Red Index-HW
10	000922-45	Lever Handle Screw
11	001660-45	Blue Index-CW
12	001638-45	Lever Handle
13	011279-25	Cerama Cartridge, LTC
14	001019-45	Coupling Nut Washer
15	00AA	1/2" NPT Female Eccentric Flange
16	011278-25	Cerama Cartridge, RTC
17	012445-25	Cerama Cartridge, LTC w/ Handle, Index & Screw
18	012444-25	Cerama Cartridge, RTC w/ Handle, Index & Screw



Product Specifications:
 4" Deck Mount Mixing Faucet, Cerama Cartridges, Lever Handles,
 6" Cast Spout & 1/2" NPT Female Inlets

Drawn DHL	Checked DMH	Approved JHB
Scale: NTS		Date: 05/22/13