



T&S BRASS AND BRONZE WORKS, INC.

2 Saddleback Cove / P.O. Box 1088
Travelers Rest, SC 29690

Model No.

B-2742-A22

Item No.

Travelers Rest, SC: 800-476-4103 • Simi Valley, CA: 800-423-0150 • Fax: 864-834-3518 • www.tsbrass.com

This Space for Architect/Engineer Approval

Job Name _____ Date _____

Model Specified _____ Quantity _____

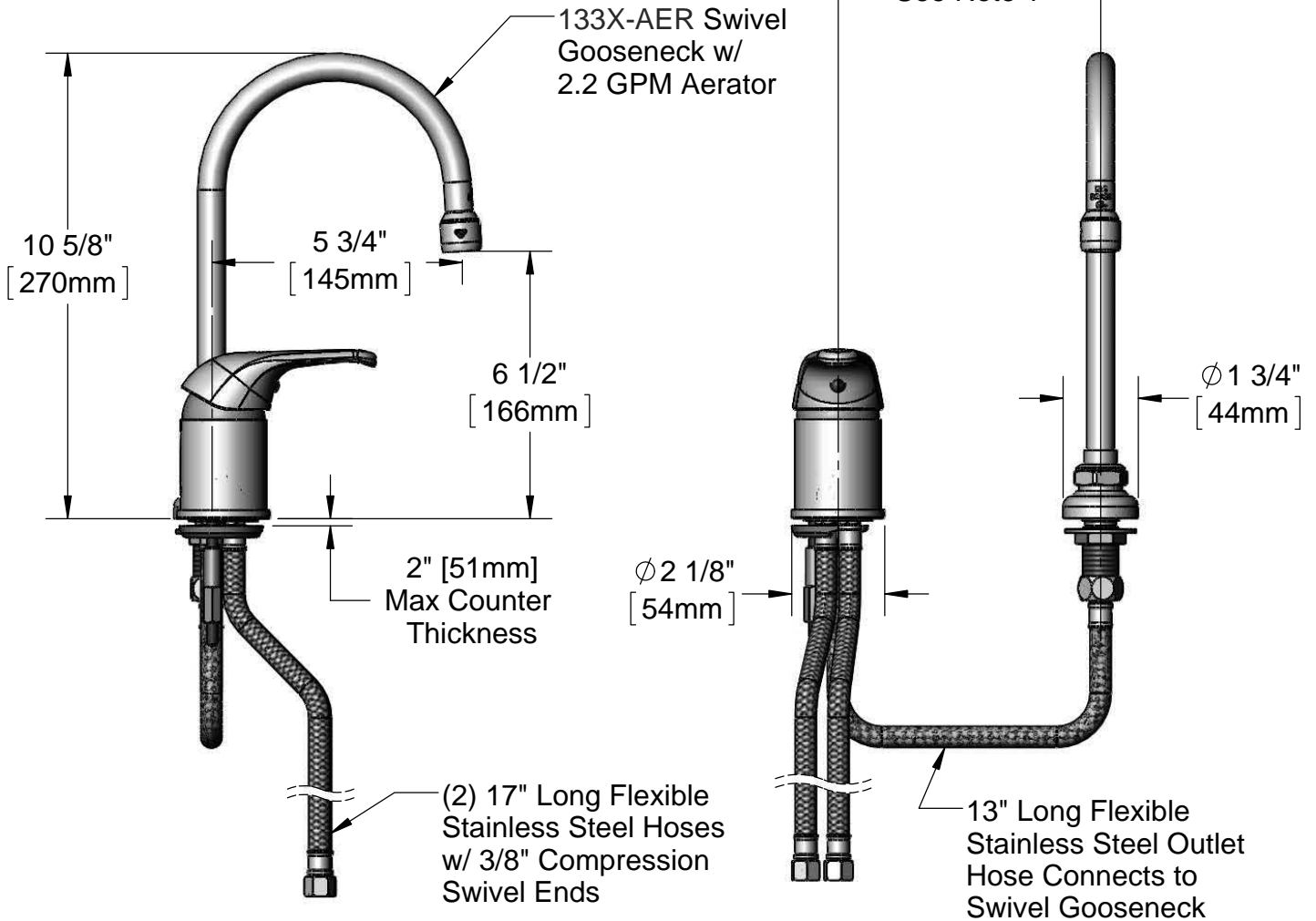
Customer/Wholesaler _____

Contractor _____

Architect/Engineer _____



ADA Compliant



Rough-in Requirements:

- Ø 1 1/2" [38mm] Hole for Sidemount
- Ø 1" [25mm] Hole for Gooseneck Shank

Notes:

- Flex hose may kink if 6" Max is exceeded.

Product Specifications:

Side Mount Faucet, Remote Control Base w/ Flexible Stainless Steel Water Connectors w/ Ceramic Cartridge, Swivel Gooseneck & 2.2 GPM Aerator

Drawn

DMH

Checked

KJG

Approved

JHB

Scale:

1:4

Date:

02/24/12



T&S BRASS AND BRONZE WORKS, INC.

2 Saddleback Cove / P.O. Box 1088

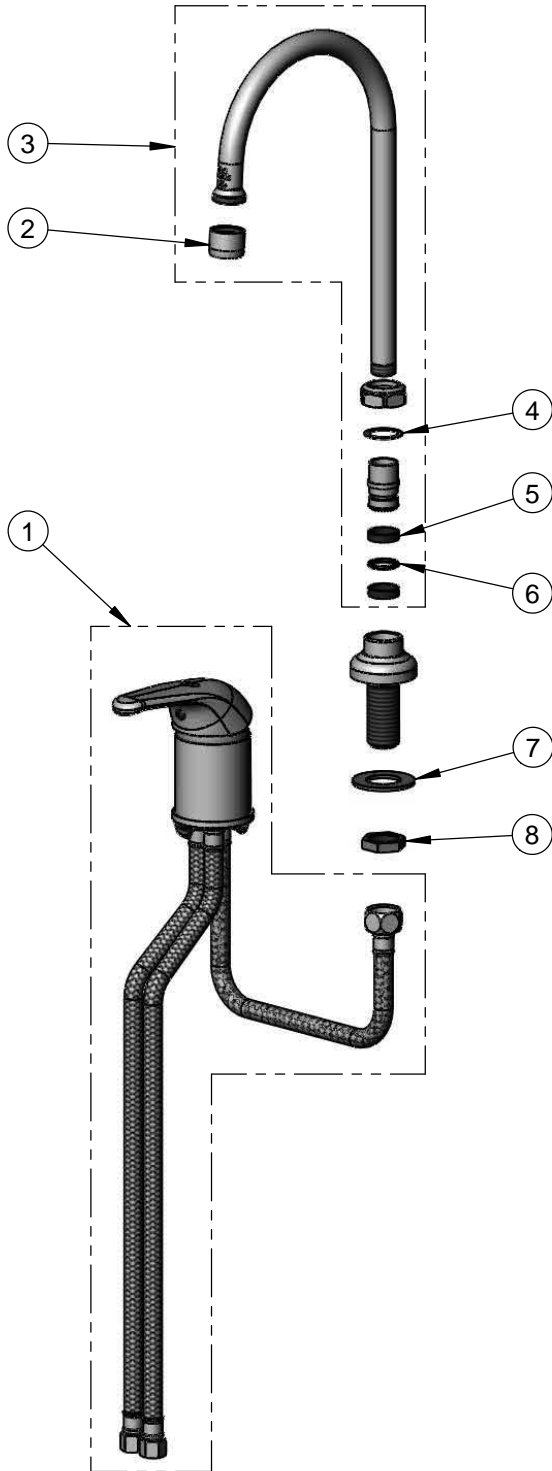
Travelers Rest, SC 29690

Model No.

B-2742-A22

Item No.

Travelers Rest, SC: 800-476-4103 • Simi Valley, CA: 800-423-0150 • Fax: 864-834-3518 • www.tsbrass.com



ITEM NO.	SALES NO.	DESCRIPTION
1	B-2740	Faucet Base, B-2740
2	B-0199-01	2.2 GPM Aerator, Female
3	133X-AER	133X Swivel Gooseneck w/ Aerator
4	009538-45	Swivel Washer
5	011429-45	Swivel Sleeves (2)
6	001074-45	O-Ring
7	000999-45	Brass Lock Washer
8	002954-45	Shank Lock Nut

Product Specifications:

Side Mount Faucet, Remote Control Base w/ Flexible Stainless Steel Water Connectors w/ Ceramic Cartridge, Swivel Gooseneck & 2.2 GPM Aerator

Drawn

DMH

Checked

KJG

Approved

JHB

Scale:

NTS

Date:

02/24/12