



T&S BRASS AND BRONZE WORKS, INC.

2 Saddleback Cove / P.O. Box 1088
Travelers Rest, SC 29690



REG. #A2601
ISO #9001

Model No.
B-2742-LH

Item No.

Travelers Rest, SC: 800-476-4103 Simi Valley, CA: 800-423-0150 Fax: 864-834-3518 www.tsbrass.com

This Space for Architect/Engineer Approval

Job Name _____ Date _____

Model Specified _____ Quantity _____

Customer/Wholesaler _____

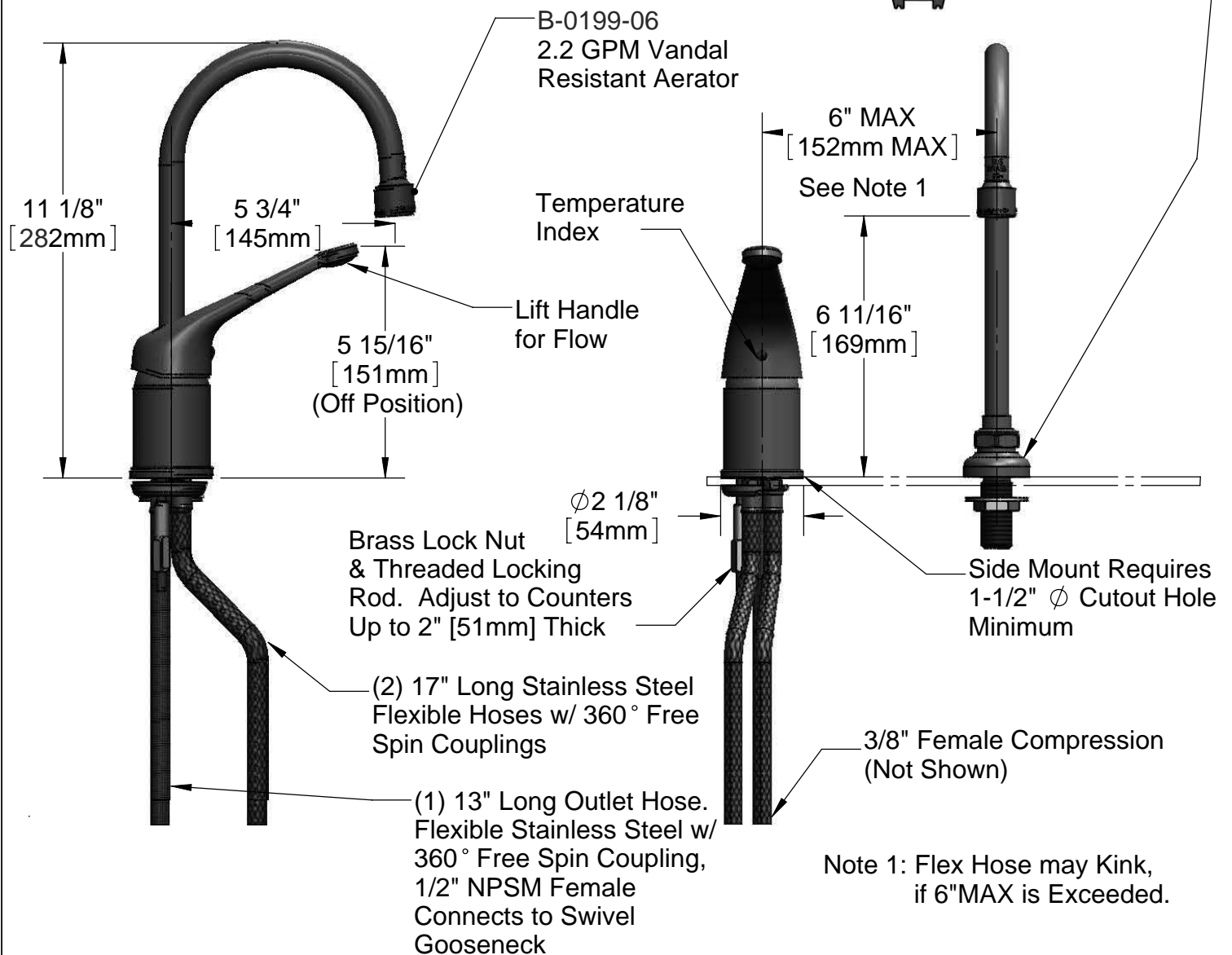
Contractor _____

Architect/Engineer _____



1 11/16" Swivel Deck Mount
Requires 1" ϕ Cutout Hole
Minimum

Vandal Resistant
Key



Product Specifications:
Side Mount Faucet, Remote Control Base, Long Handle w/ Flexible Stainless Steel Water Connectors w/ Ceramic Cartridge, Swivel Gooseneck & Vandal Resistant Aerator

Drawn ARH	Checked DHL	Approved JHB
Scale: 1:4		Date: 03/20/09



T&S BRASS AND BRONZE WORKS, INC.

2 Saddleback Cove / P.O. Box 1088
Travelers Rest, SC 29690



REG. #A2601
ISO #9001

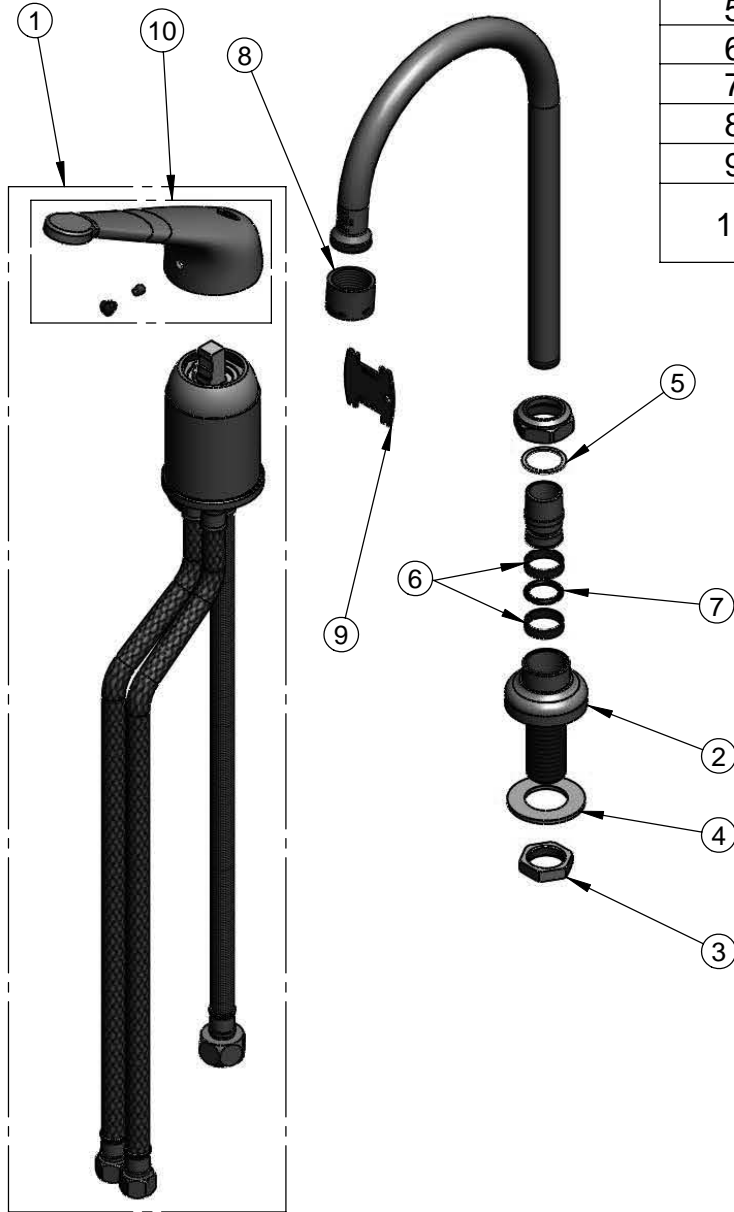
Model No.

B-2742-LH

Item No.

Travelers Rest, SC: 800-476-4103 Simi Valley, CA: 800-423-0150 Fax: 864-834-3518 www.tsbrass.com

ITEM NO.	SALES NO.	DESCRIPTION
1	B-2740	Base, B-2740 Side Mount
2	000137-40	Flange, Swivel Center
3	002954-45	Shank Lock Nut
4	000999-45	Brass Lock Washer
5	009538-45	Swivel Washer
6	011429-45	Swivel Sleeve (2)
7	001074-45	O-Ring
8	B-0199-06	VR Aerator w/ Key
9	Q015425-45	Vandal Resistant Key
10	013429-45	B-2710 Long Handle, Single Lever, w/ Setscrew



Product Specifications:

Side Mount Faucet, Remote Control Base, Long Handle
w/ Flexible Stainless Steel Water Connectors
w/ Ceramic Cartridge, Swivel Gooseneck & Vandal
Resistant Aerator

Drawn ARH	Checked DHL	Approved JHB
Scale: 1:4		Date: 03/20/09