



T&S BRASS AND BRONZE WORKS, INC.

2 Saddleback Cove / P.O. Box 1088
Travelers Rest, SC 29690

Model No.

B-2742

Item No.

Travelers Rest, SC: 800-476-4103 • Simi Valley, CA: 800-423-0150 • Fax: 864-834-3518 • www.tsbrass.com



ADA Compliant

This Space for Architect/Engineer Approval

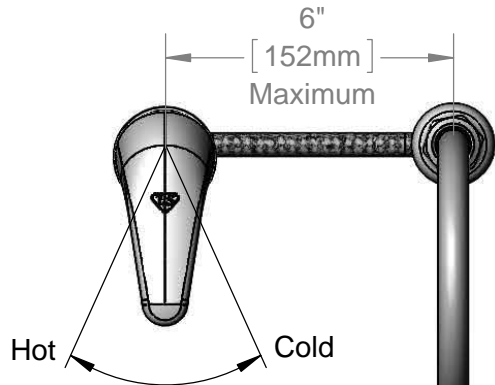
Job Name _____ Date _____

Model Specified _____ Quantity _____

Customer/Wholesaler _____

Contractor _____

Architect/Engineer _____



6" Swivel
Gooseneck w/
B-0199-06
VR 2.2 GPM Aerator

Ceramic Cartridge w/
Temperature Limit Stop

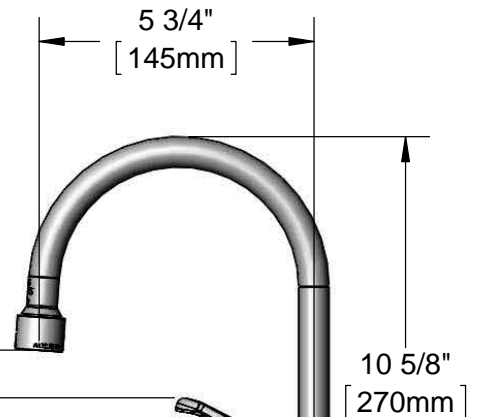
Temperature
Index

Ø 2 1/8"
[54mm] Base

Brass Lock
Nut &
Threaded
Locking Rod

Ø 1 11/16" [43mm] Base
w/ 1/2" NPSM Male Inlet

(2) 16" Flexible Stainless Steel
Hoses w/ 3/8" Compression
Swivel Ends



5 3/16"
[132mm]
Full
"ON"

3 15/16"
[99mm]
"OFF"

6 3/16"
[157mm]

1"
[25mm]
Maximum
Thickness

Rough-in Requirements:
Swivel Deck Flange: Ø 1" [25mm] Hole
Sidemount: Ø 1 1/2" [38mm] Hole

Product Specifications:

Single Lever Side Mount Remote On/Off Control Base Faucet, Ceramic Cartridge, Swivel Gooseneck, Vandal Resistant 2.2 GPM Aerator & (2) 16" Flexible Stainless Steel Supply Hoses

Product Compliance:

ASME A112.18.1 / CSA B125.1
NSF 61 - Section 9
NSF 372 (Low Lead Content)
ANSI A117.1 (ADA)



T&S BRASS AND BRONZE WORKS, INC.

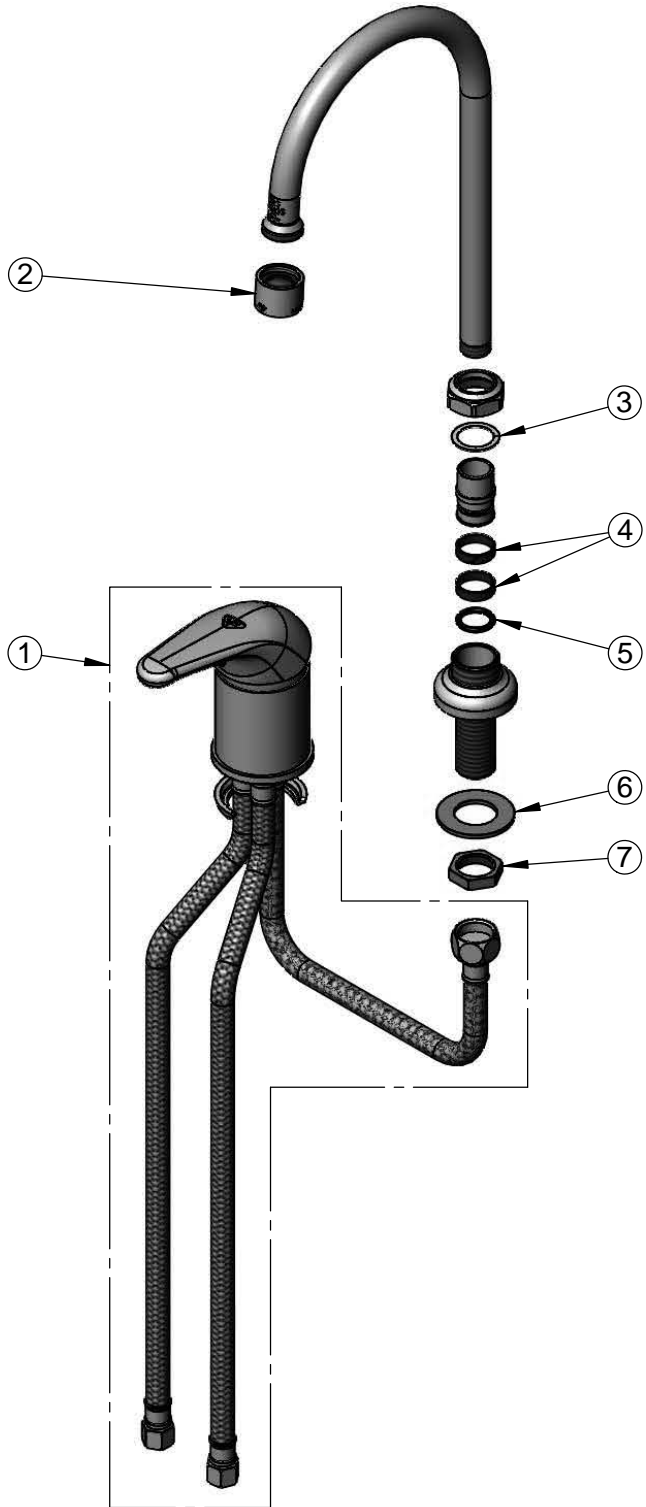
2 Saddleback Cove / P.O. Box 1088
Travelers Rest, SC 29690

Model No.

B-2742

Item No.

Travelers Rest, SC: 800-476-4103 • Simi Valley, CA: 800-423-0150 • Fax: 864-834-3518 • www.tsbrass.com



| ITEM NO. | SALES NO. | DESCRIPTION |
|----------|-----------|---|
| 1 | B-2740 | Side Mount Single Lever Control Faucet |
| 2 | B-0199-06 | VR 2.2 GPM Aerator, 55/64-27 UN Female w/ Key |
| 3 | 009538-45 | Swivel Washer |
| 4 | 011429-45 | Swivel Sleeves (2) |
| 5 | 001074-45 | O-Ring |
| 6 | 000999-45 | Brass Lock Washer |
| 7 | 002954-45 | Shank Lock Nut |



015425-45
Vandal Resistant Key

Product Specifications:

Single Lever Side Mount Remote On/Off Control Base Faucet, Ceramic Cartridge, Swivel Gooseneck, Vandal Resistant 2.2 GPM Aerator & (2) 16" Flexible Stainless Steel Supply Hoses

Product Compliance:

ASME A112.18.1 / CSA B125.1
NSF 61 - Section 9
NSF 372 (Low Lead Content)
ANSI A117.1 (ADA)