



**T&S BRASS AND BRONZE WORKS, INC.**  
 2 Saddleback Cove / P.O. Box 1088  
 Travelers Rest, SC 29690

Model No.  
**B-2820-01**

Item No.

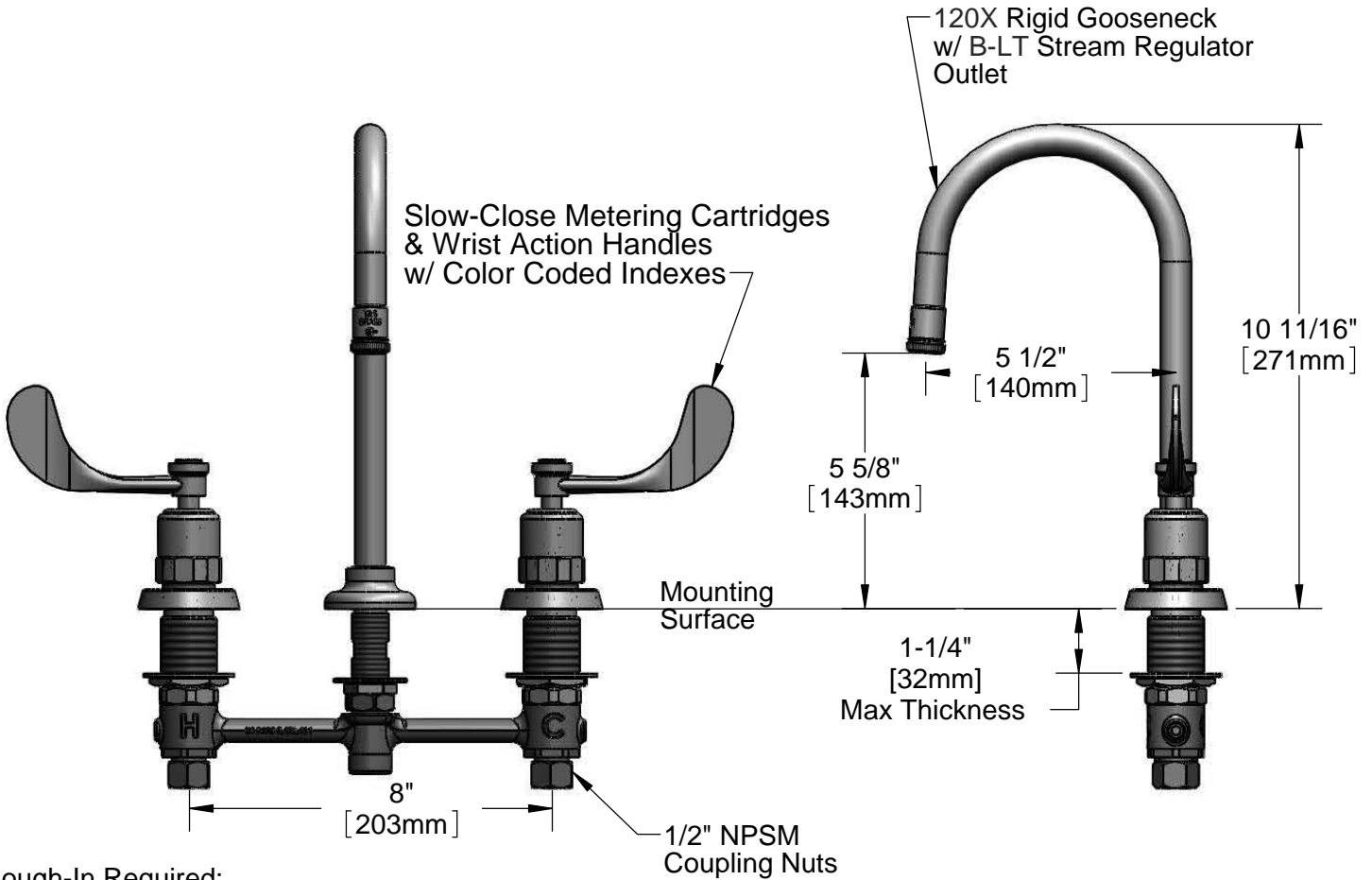
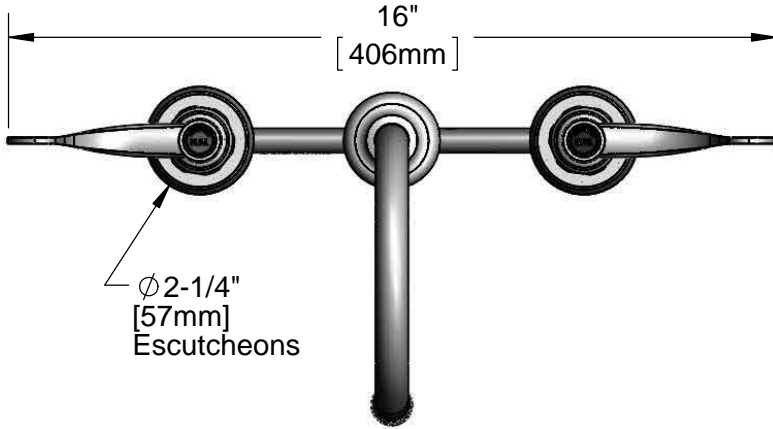
Travelers Rest, SC: 800-476-4103 • Simi Valley, CA: 800-423-0150 • Fax: 864-834-3518 • www.tsbrass.com

This Space for Architect/Engineer Approval

Job Name \_\_\_\_\_ Date \_\_\_\_\_  
 Model Specified \_\_\_\_\_ Quantity \_\_\_\_\_  
 Customer/Wholesaler \_\_\_\_\_  
 Contractor \_\_\_\_\_  
 Architect/Engineer \_\_\_\_\_



**ADA Compliant**



**Rough-In Required:**  
 ∅1" [25mm] for Center Shank  
 ∅1-1/2" [38mm] for Hot/Cold Side

**Product Specifications:**  
 EasyInstall Faucet w/ 4" Wrist Action Handles, Slow-Close  
 Metering Cartridges, 8" Inlet Centers, &  
 120X Rigid Gooseneck w/ Stream Regulator Outlet

Drawn <b>JRM</b>	Checked <b>DMH</b>	Approved <b>JHB</b>
Scale: <b>1:4</b>		Date: <b>06/21/12</b>



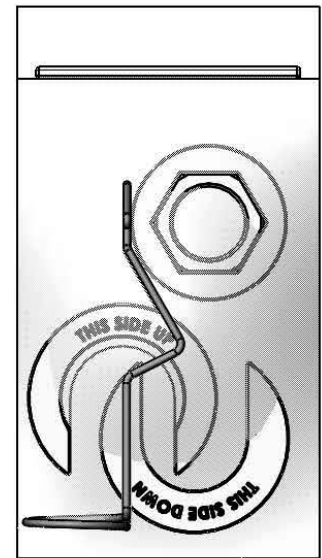
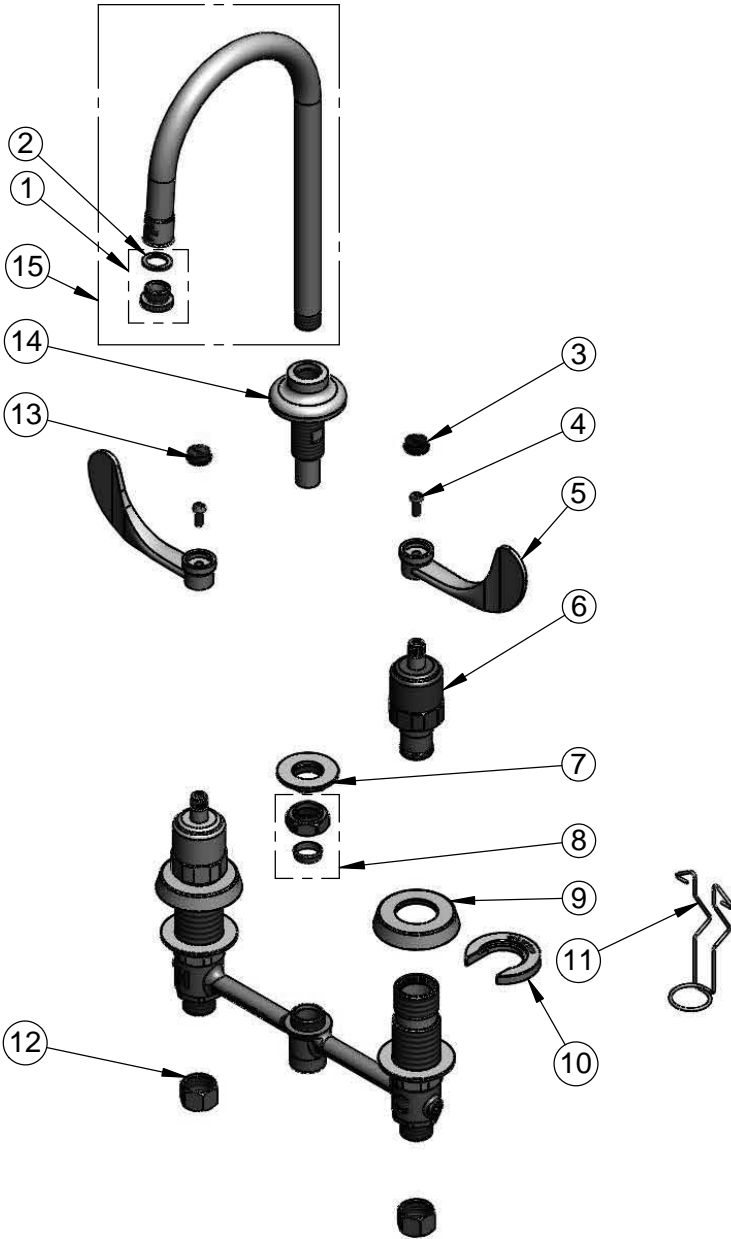
**T&S BRASS AND BRONZE WORKS, INC.**  
 2 Saddleback Cove / P.O. Box 1088  
 Travelers Rest, SC 29690

Model No.  
**B-2820-01**

Item No.

Travelers Rest, SC: 800-476-4103 • Simi Valley, CA: 800-423-0150 • Fax: 864-834-3518 • www.tsbrass.com

ITEM NO.	SALES NO.	DESCRIPTION
1	B-LT	Stream Regulator Outlet
2	001043-45	Washer
3	001686-45	Blue CW Index
4	000925-45	Lab Handle Screw
5	B-WH4	4" Wrist Action Handle
6	012449-40	Wrist Action Metering Cartridge Assembly
7	016742-45	Center Flange Nut
8	016745-45	Compression Nut & Fitting
9	017292-45	Metering CWS Escutcheon
10	016749-45	Sidebody C-Washer
11	016777-45	CWS Hanger
12	000958-20	Coupling Nut
13	001194-45	Red HW Index
14	016847-40	EasyInstall CWS Rigid Center Shank
15	120X	Rigid Gooseneck w/ Stream Regulator Outlet



017245-40  
 Installation Repair Kit  
 Includes #7, (2) #10, #11

Product Specifications:  
 EasyInstall Faucet w/ 4" Wrist Action Handles, Slow-Close  
 Metering Cartridges, 8" Inlet Centers, &  
 120X Rigid Gooseneck w/ Stream Regulator Outlet

Drawn <b>JRM</b>	Checked <b>DMH</b>	Approved <b>JHB</b>
Scale: <b>NTS</b>		Date: <b>06/21/12</b>