



# T&S BRASS AND BRONZE WORKS, INC.

2 Saddleback Cove / P.O. Box 1088  
Travelers Rest, SC 29690



REG. #A2601  
ISO #9001

Model No.

**B-2821-01**

Item No.

Travelers Rest, SC: 800-476-4103 Simi Valley, CA: 800-423-0150 Fax: 864-834-3518 www.tsbrass.com

This Space for Architect/Engineer Approval

Job Name \_\_\_\_\_ Date \_\_\_\_\_

Model Specified \_\_\_\_\_ Quantity \_\_\_\_\_

Customer/Wholesaler \_\_\_\_\_

Contractor \_\_\_\_\_

Architect/Engineer \_\_\_\_\_

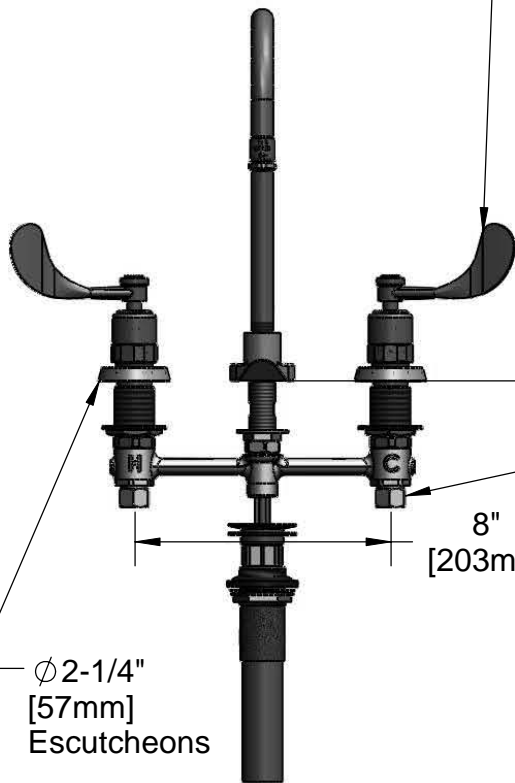


**ADA Compliant**



B-WH4  
Wrist Action Handles  
w/ Color Coded Indexes

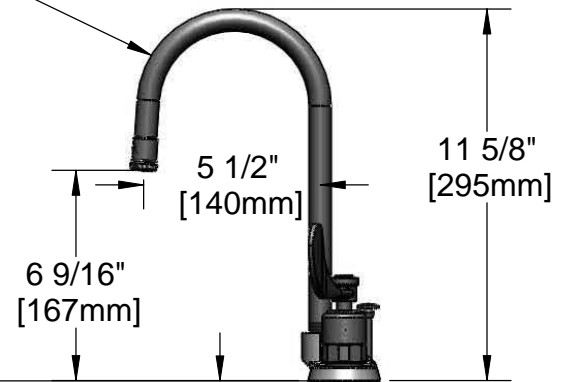
120X Rigid Gooseneck  
w/ B-LT Stream Regulator  
Outlet



Mounting  
Surface

1/2" NPSM  
Coupling Nuts

8"  
[203mm]



5 1/2"  
[140mm]

6 9/16"  
[167mm]

11 5/8"  
[295mm]

Fits Sinks  
Up To  
1-1/4" Thick  
[32mm]

Pop-Up Drain Assembly

Note: Rough-In Required:

Ø 1"[25mm] for Center Shank

Ø 1-1/2"[38mm] for Hot/Cold Side [1-1/4"[32mm] Minimum]

Product Specifications:

**EasyInstall Faucet w/ 4" Wrist Action Handles, Slow-Close  
Metering Cartridges, 8" Inlet Centers, Pop-Up Drain,  
120X Rigid Gooseneck w/ B-LT Outlet**

Drawn  
**JRM**

Checked  
**GEF**

Approved  
**JHB**

Scale:

**NTS**

Date:

**12/08/08**



**T&S BRASS AND BRONZE WORKS, INC.**

2 Saddleback Cove / P.O. Box 1088  
Travelers Rest, SC 29690



REG. #A2601  
ISO #9001

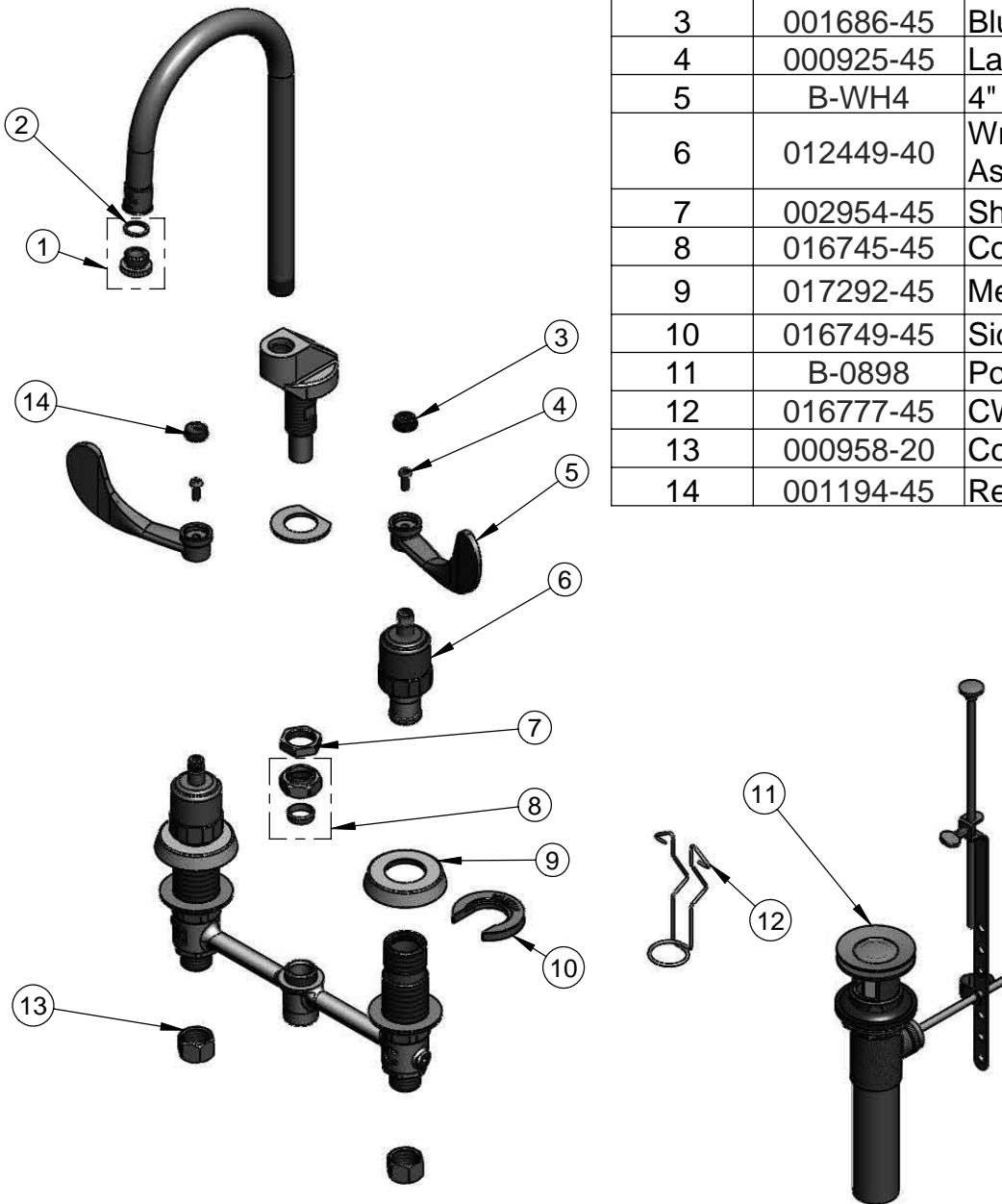
Model No.

**B-2821-01**

Item No.

Travelers Rest, SC: 800-476-4103 Simi Valley, CA: 800-423-0150 Fax: 864-834-3518 www.tsbrass.com

ITEM NO.	SALES NO.	DESCRIPTION
1	B-LT	Stream Regulator Outlet
2	001043-45	Washer
3	001686-45	Blue CW Index
4	000925-45	Lab Handle Screw
5	B-WH4	4" Wrist Action Handle
6	012449-40	Wrist Action Metering Cartridge Assembly
7	002954-45	Shank Lock Nut
8	016745-45	Compression Nut & Fitting
9	017292-45	Metering CWS Escutcheon
10	016749-45	Sidebody C-Washer
11	B-0898	Pop-Up Drain
12	016777-45	CWS Hanger
13	000958-20	Coupling Nut
14	001194-45	Red HW Index



Product Specifications:

EasyInstall Faucet w/ 4" Wrist Action Handles, Slow-Close Metering Cartridges, 8" Inlet Centers, Pop-Up Drain, 120X Rigid Gooseneck w/ B-LT Outlet

Drawn <b>JRM</b>	Checked <b>GEF</b>	Approved <b>JHB</b>
Scale: <b>NTS</b>		Date: <b>12/08/08</b>