



T&S BRASS AND BRONZE WORKS, INC.

2 Saddleback Cove / P.O. Box 1088
Travelers Rest, SC 29690

Model No.

B-2850-F05

Item No.

Travelers Rest, SC: 800-476-4103 • Simi Valley, CA: 800-423-0150 • Fax: 864-834-3518 • www.tsbrass.com

This Space for Architect/Engineer Approval

Job Name _____ Date _____

Model Specified _____ Quantity _____

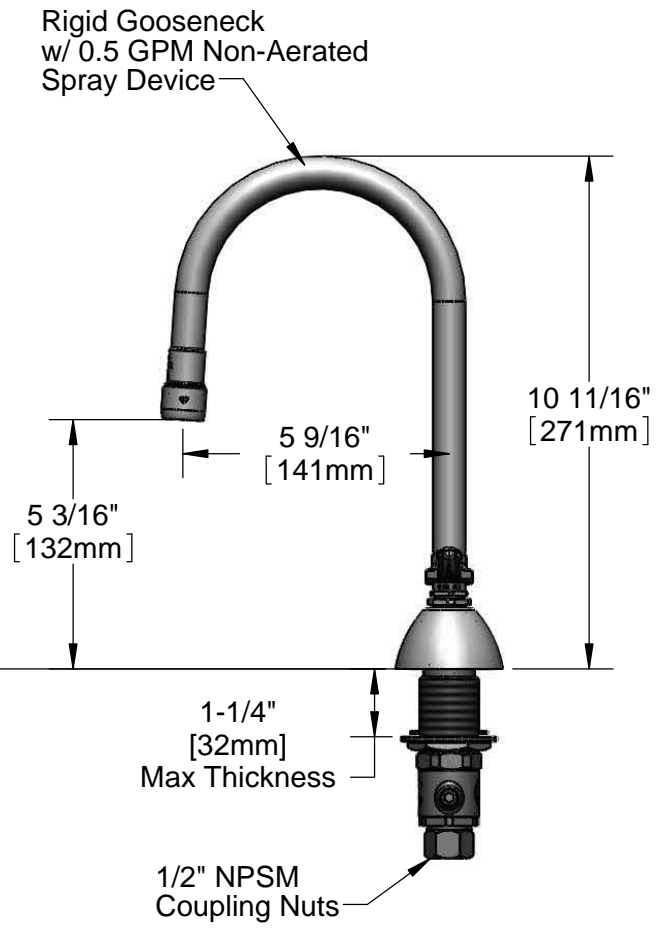
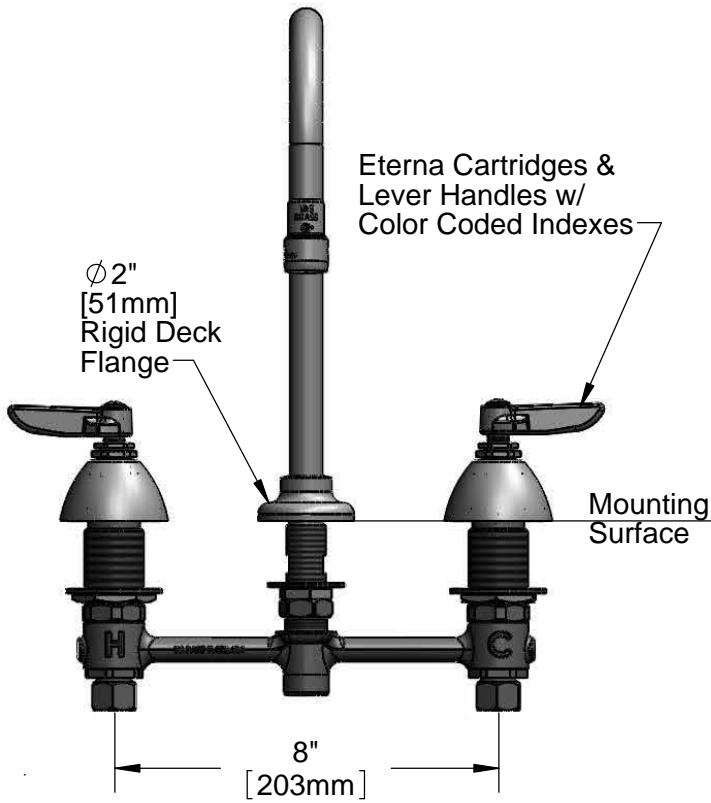
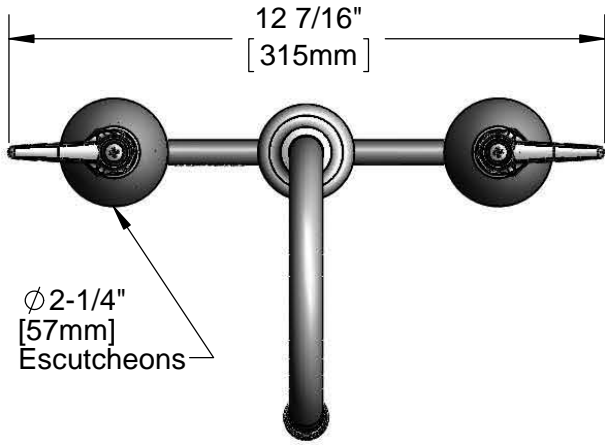
Customer/Wholesaler _____

Contractor _____

Architect/Engineer _____



ADA Compliant



Rough-In Requirement:

Ø 1" [25mm] for Center Shank

Ø 1-1/2" [38mm] for Hot/Cold Side

Product Specifications:

EasyInstall Faucet w/ Lever Handles, Eterna Cartridges, 8" Inlet Centers, Rigid Gooseneck w/ 0.5 GPM Non-Aerated Spray Device

Drawn

JRM

Checked

DMH

Approved

JHB

Scale:

1:4

Date:

06/21/12



T&S BRASS AND BRONZE WORKS, INC.

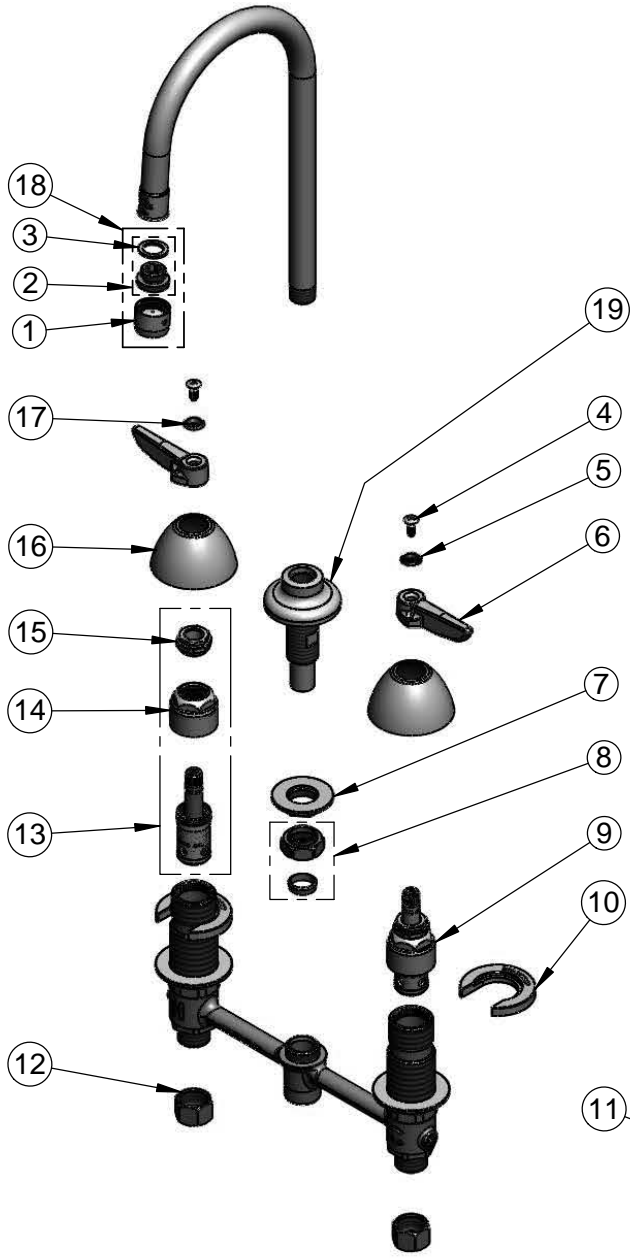
2 Saddleback Cove / P.O. Box 1088
Travelers Rest, SC 29690

Model No.

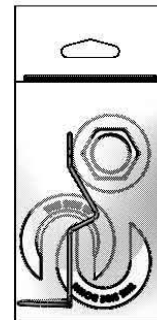
B-2850-F05

Item No.

Travelers Rest, SC: 800-476-4103 • Simi Valley, CA: 800-423-0150 • Fax: 864-834-3518 • www.tsbrass.com



ITEM NO.	SALES NO.	DESCRIPTION
1	B-0199-01-N05	0.5 GPM Spray Device, 55/64-27 Female
2	044A	3/8" to Aerator Adapter
3	001043-45	Washer
4	000922-45	Lever Handle Screw
5	001660-45	Blue Index-CW
6	001638-45	Lever Handle
7	016742-45	Center Flange Nut
8	016745-45	Compression Nut & Fitting
9	016752-40	EasyInstall CWS LTC Eterna (Teflon)
10	016749-45	Sidebody C-Washer
11	016777-45	CWS Hanger
12	000958-20	Coupling Nut
13	016753-40	EasyInstall CWS RTC Eterna (Teflon)
14	016743-25	CWS Bonnet Assembly
15	009002-25	Packing Nut Assembly
16	001257-40	Bell Escutcheon
17	001661-45	Red Index-HW
18	B-0199-02-N05	0.5 GPM Spray Device Asm., 3/8" NPSM
19	016847-40	EasyInstall CWS Rigid Center Shank



017245-40
Installation Repair Kit
Includes #7, (2)#10, & #11

Product Specifications:

EasyInstall Faucet w/ Lever Handles, Eterna Cartridges, 8" Inlet Centers, Rigid Gooseneck w/ 0.5 GPM Non-Aerated Spray Device

Drawn

JRM

Checked

DMH

Approved

JHB

Scale:

NTS

Date:

06/21/12