



T&S BRASS AND BRONZE WORKS, INC.

2 Saddleback Cove / P.O. Box 1088
Travelers Rest, SC 29690

Model No.

B-2850-WH4

Item No.

Travelers Rest, SC: 800-476-4103 • Simi Valley, CA: 800-423-0150 • Fax: 864-834-3518 • www.tsbrass.com

This Space for Architect/Engineer Approval

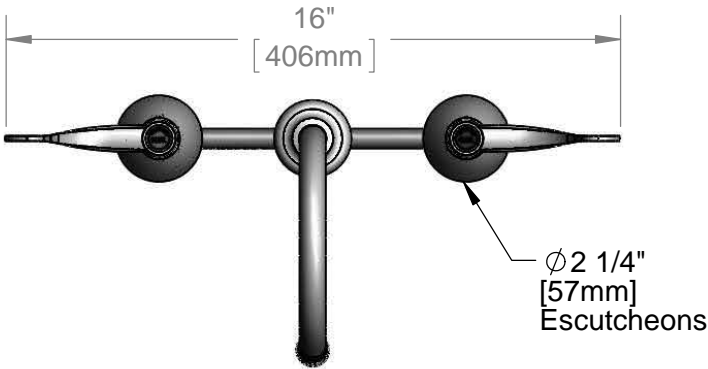
Job Name _____ Date _____

Model Specified _____ Quantity _____

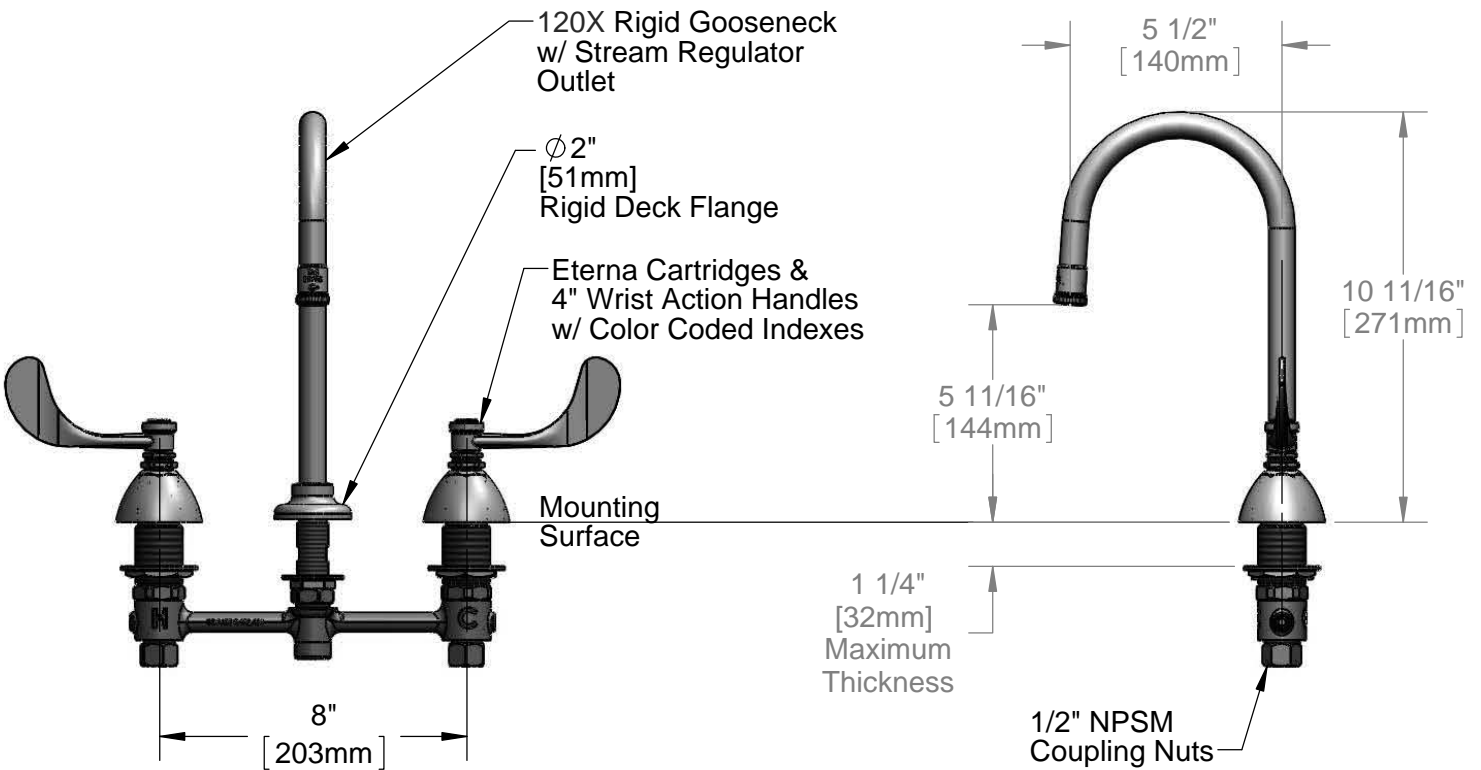
Customer/Wholesaler _____

Contractor _____

Architect/Engineer _____



ADA Compliant



Rough-In Requirement:

$\phi 1$ " [25mm] for Center Shank

$\phi 1 \frac{1}{2}$ " [38mm] for Hot/Cold Side

Product Specifications:

EasyInstall Faucet w/ 4" Wrist Action Handles, Eterna Cartridges, 8" Inlet Centers, Rigid Gooseneck w/ Stream Regulator Outlet

Product Compliance:

ASME A112.18.1 / CSA B125.1
NSF 61 - Section 9
NSF 372 (Low Lead Content)
ANSI A117.1 (ADA)



T&S BRASS AND BRONZE WORKS, INC.

2 Saddleback Cove / P.O. Box 1088
Travelers Rest, SC 29690

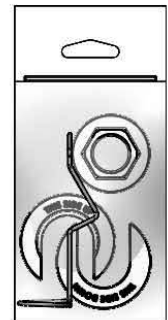
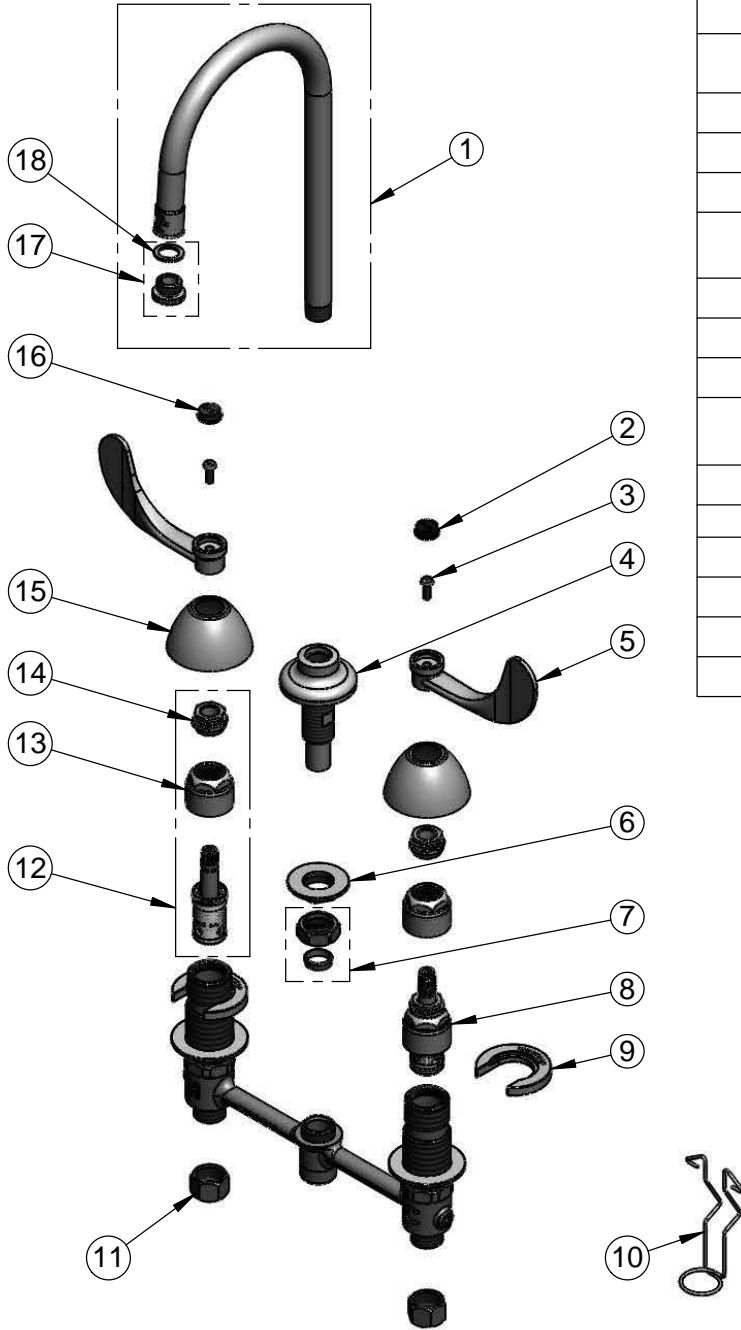
Model No.

B-2850-WH4

Item No.

Travelers Rest, SC: 800-476-4103 • Simi Valley, CA: 800-423-0150 • Fax: 864-834-3518 • www.tsbrass.com

ITEM NO.	SALES NO.	DESCRIPTION
1	120X	Rigid Gooseneck
2	001686-45	Blue Index - CW
3	000925-45	Lab Handle Screw
4	016847-40	EasyInstall CWS Rigid Center Shank
5	B-WH4	4" Wrist Action Handle
6	016742-45	Center Flange Nut
7	016745-45	Compression Nut & Fitting
8	016752-40	EasyInstall CWS LTC Eterna (Teflon)
9	016749-45	Sidebody C-Washer
10	016777-45	CWS Hanger
11	000958-20	Coupling Nut
12	016753-40	EasyInstall CWS RTC Eterna (Teflon)
13	016743-25	CWS Eterna Bonnet
14	009002-25	Packing Nut Assembly
15	001257-40	Bell Escutcheon
16	001194-45	Red Index - HW
17	B-LT	Stream Regulator Outlet
18	001043-45	Washer



017245-40
Installation Repair Kit
Includes #6, (2)#9, & #10

Product Specifications:

EasyInstall Faucet w/ 4" Wrist Action Handles, Eterna Cartridges, 8" Inlet Centers, Rigid Gooseneck w/ Stream Regulator Outlet

Product Compliance:

ASME A112.18.1 / CSA B125.1
NSF 61 - Section 9
NSF 372 (Low Lead Content)
ANSI A117.1 (ADA)