



**T&S BRASS AND BRONZE WORKS, INC.**

2 Saddleback Cove / P.O. Box 1088  
Travelers Rest, SC 29690

Model No.

**B-2853-RSW-061X**

Item No.

Travelers Rest, SC: 800-476-4103 • Simi Valley, CA: 800-423-0150 • Fax: 864-834-3518 • www.tsbrass.com

This Space for Architect/Engineer Approval

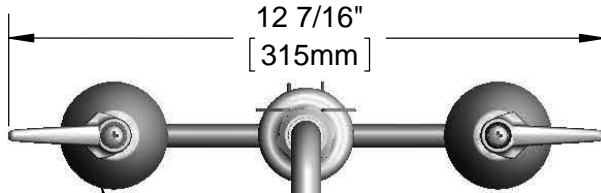
Job Name \_\_\_\_\_ Date \_\_\_\_\_

Model Specified \_\_\_\_\_ Quantity \_\_\_\_\_

Customer/Wholesaler \_\_\_\_\_

Contractor \_\_\_\_\_

Architect/Engineer \_\_\_\_\_

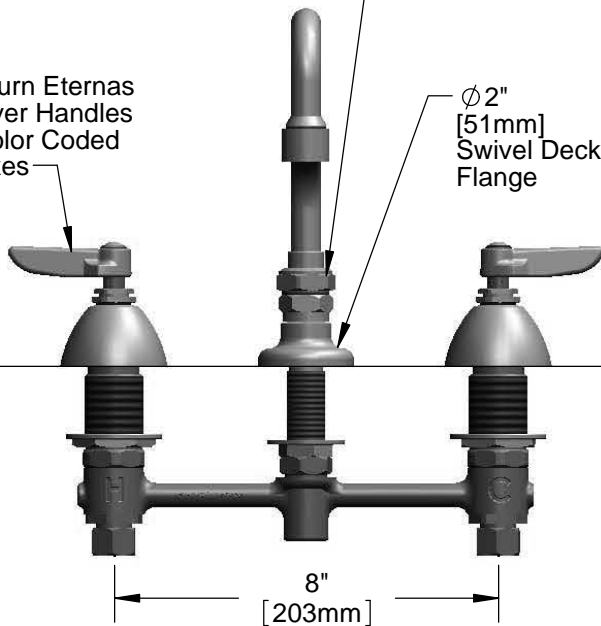


Ø2 1/4"  
[57mm]  
Escutcheons



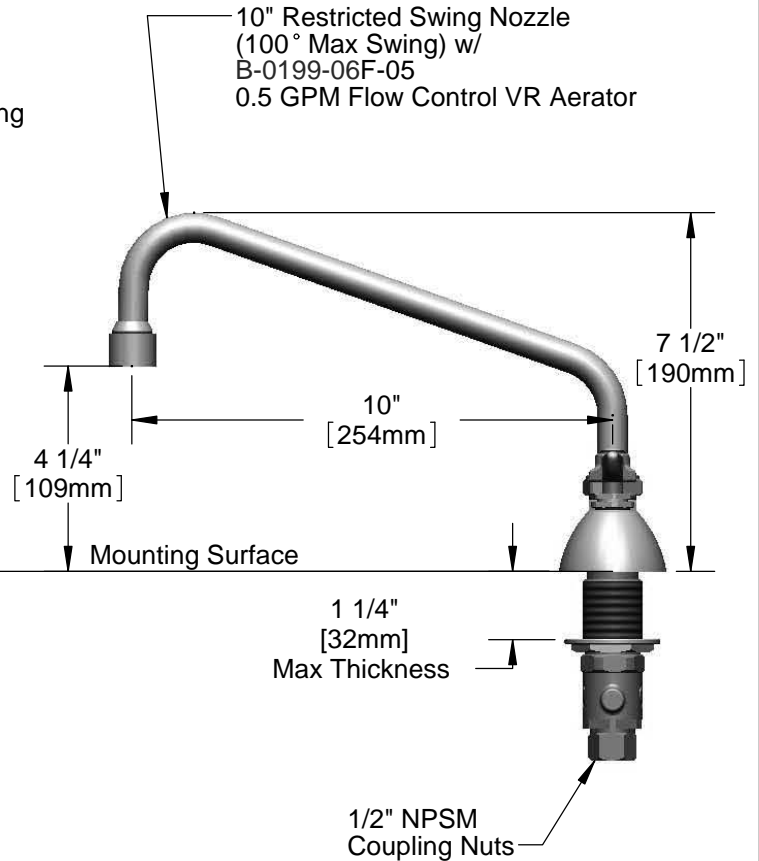
**ADA Compliant**

1/4 Turn Eternas  
& Lever Handles  
w/ Color Coded  
Indexes



Restricted Swing  
Adapter

Ø2"  
[51mm]  
Swivel Deck  
Flange



10" Restricted Swing Nozzle  
(100° Max Swing) w/  
B-0199-06F-05  
0.5 GPM Flow Control VR Aerator

Mounting Surface

1 1/4"  
[32mm]  
Max Thickness

1/2" NPSM  
Coupling Nuts

Rough-In Requirement:  
Ø1" [25mm] for Center Shank  
Ø1 1/2" [38mm] for Hot/Cold Sides

Product Specifications:  
EasyInstall Faucet w/ Lever Handles, Eterna Cartridges,  
10" Restricted Swing Nozzle w/ 0.5 GPM Vandal Resistant Aerator

Drawn <b>JRM</b>	Checked <b>DMH</b>	Approved <b>JHB</b>
---------------------	-----------------------	------------------------

Scale: <b>1:4</b>	Date: <b>06/21/12</b>
----------------------	--------------------------

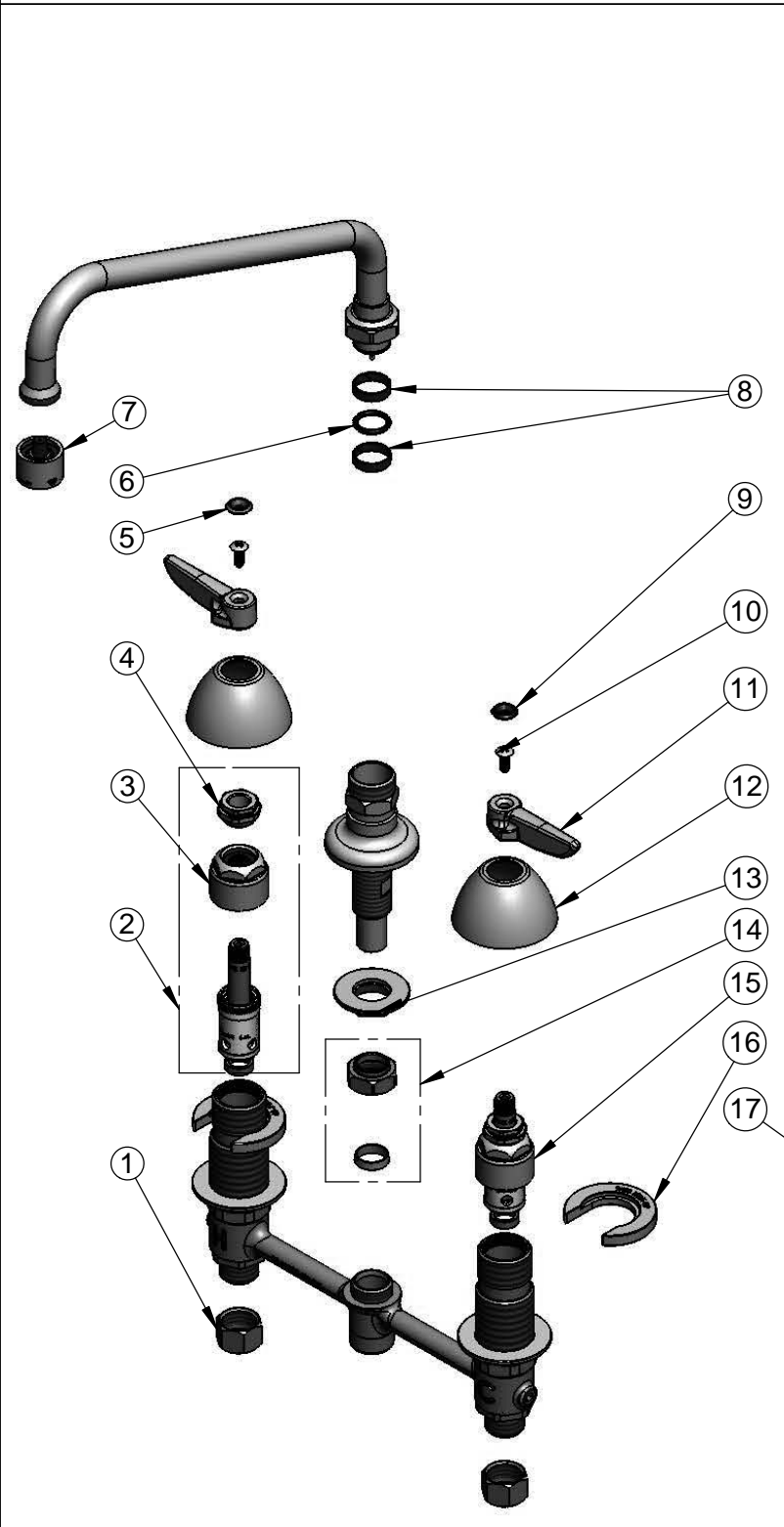


**T&S BRASS AND BRONZE WORKS, INC.**  
 2 Saddleback Cove / P.O. Box 1088  
 Travelers Rest, SC 29690

Model No.  
**B-2853-RSW-061X**

Item No.

Travelers Rest, SC: 800-476-4103 • Simi Valley, CA: 800-423-0150 • Fax: 864-834-3518 • www.tsbrass.com



ITEM NO.	SALES NO.	DESCRIPTION
1	000958-20	Coupling Nut
2	016926-40	EasyInstall CWS RTC 1/4 Turn Eterna (Teflon)
3	016743-25	CWS Eterna Bonnet
4	009002-25	Packing Nut Assembly
5	001661-45	Red Index-HW
6	001074-45	O-Ring
7	B-0199-06F-05	VR Aerator w/ 0.5 GPM Flow Control w/ VR Key
8	011429-45	Swivel Sleeves (2)
9	001660-45	Blue Index-CW
10	000922-45	Lever Handle Screw
11	001638-45	Lever Handle
12	001257-40	Bell Escutcheon
13	016742-45	Center Flange Nut
14	016745-45	Compression Nut & Fitting
15	016925-40	EasyInstall CWS LTC 1/4 Turn Eterna (Teflon)
16	016749-45	Sidebody C-Washer
17	016777-45	CWS Hanger



017245-40  
 Installation Repair Kit  
 Includes #13, (2) #16, & #17



015425-45  
 Vandal Resistant Aerator Key

Product Specifications:  
 EasyInstall Faucet w/ Lever Handles, Eterna Cartridges,  
 10" Restricted Swing Nozzle w/ 0.5 GPM Vandal Resistant Aerator

Drawn <b>JRM</b>	Checked <b>DMH</b>	Approved <b>JHB</b>
Scale: <b>NTS</b>		Date: <b>06/21/12</b>