

T&S BRASS AND BRONZE WORKS, INC.

2 Saddleback Cove / P.O. Box 1088
Travelers Rest, SC 29690

Model No.

B-2854-CR

Item No.

Travelers Rest, SC: 800-476-4103 • Simi Valley, CA: 800-423-0150 • Fax: 864-834-3518 • www.tsbrass.com

This Space for Architect/Engineer Approval

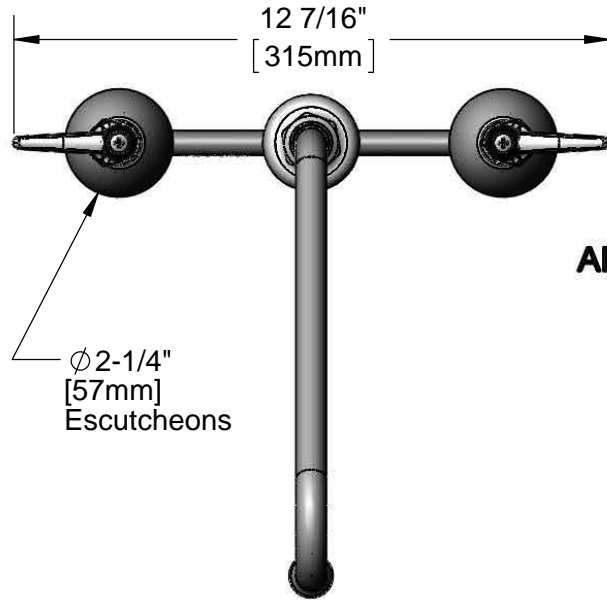
Job Name _____ Date _____

Model Specified _____ Quantity _____

Customer/Wholesaler _____

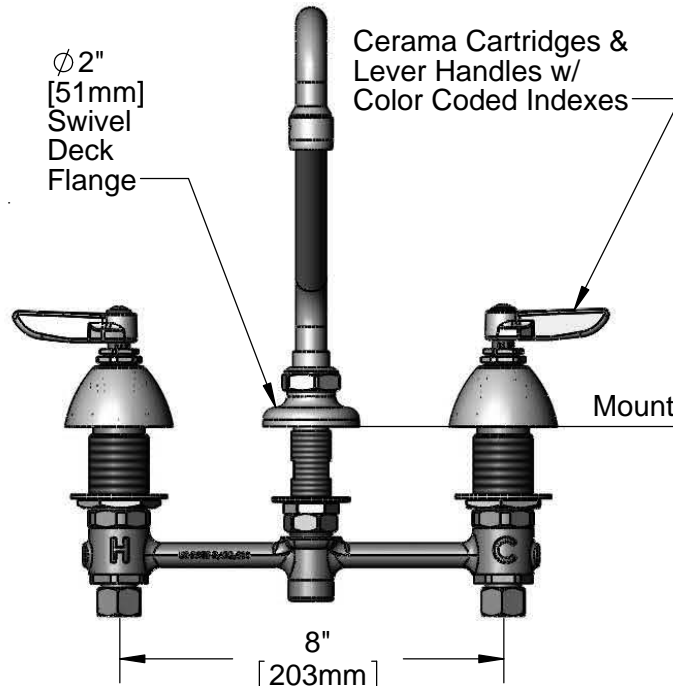
Contractor _____

Architect/Engineer _____



ADA Compliant

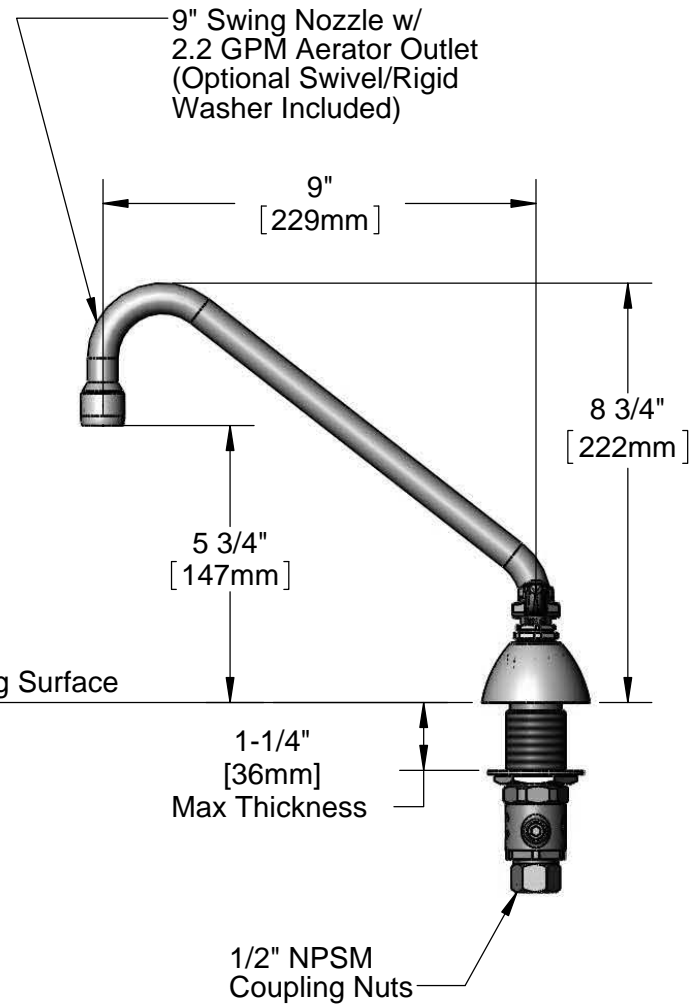
Ø2-1/4"
[57mm]
Escutcheons



Ø2"
[51mm]
Swivel
Deck
Flange

Cerama Cartridges &
Lever Handles w/
Color Coded Indexes

Mounting Surface



9" Swing Nozzle w/
2.2 GPM Aerator Outlet
(Optional Swivel/Rigid
Washer Included)

9"
[229mm]

8 3/4"
[222mm]

5 3/4"
[147mm]

1-1/4"
[36mm]
Max Thickness

1/2" NPSM
Coupling Nuts

Rough-In Requirement:
Ø1" [25mm] for Center Shank
Ø1-1/2" [38mm] for Hot/Cold Side

Product Specifications:
EasyInstall Faucet, Lever Handles, Cerama Cartridges,
8" Inlet Centers & 9" Swing Nozzle w/ 2.2 GPM Aerator

Drawn JRM	Checked DMH	Approved JHB
Scale: 1:2		Date: 06/21/12



T&S BRASS AND BRONZE WORKS, INC.

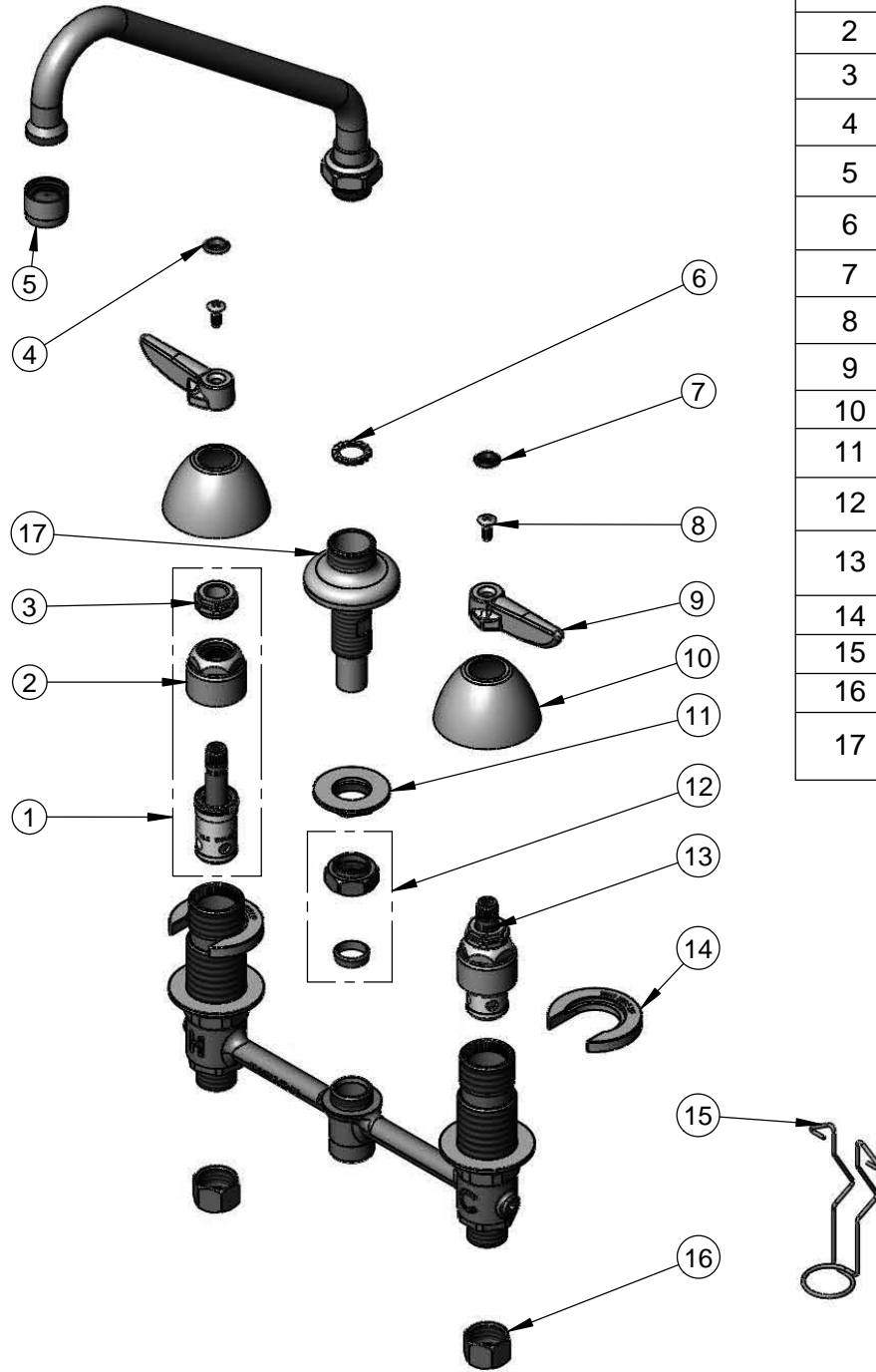
2 Saddleback Cove / P.O. Box 1088
Travelers Rest, SC 29690

Model No.

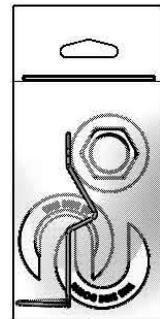
B-2854-CR

Item No.

Travelers Rest, SC: 800-476-4103 • Simi Valley, CA: 800-423-0150 • Fax: 864-834-3518 • www.tsbrass.com



ITEM NO.	SALES NO.	DESCRIPTION
1	016767-40	EasyInstall CWS RTC Cerama (Teflon)
2	016743-25	CWS Bonnet Assembly
3	009002-25	Packing Nut Assembly
4	001661-45	Red Index-HW
5	B-0199-01	2.2 GPM Aerator
6	014200-45	Star Washer, Anti-Rotation
7	001660-45	Blue Index-CW
8	000922-45	Lever Handle Screw
9	001638-45	Lever Handle
10	001257-40	Bell Escutcheon
11	016742-45	Center Flange Nut
12	016745-45	Compression Nut & Fitting
13	016768-40	EasyInstall CWS LTC Cerama (Teflon)
14	016749-45	C-Washer
15	016777-45	CWS Hanger
16	000958-20	Coupling Nut
17	016754-40	EasyInstall CWS Swivel Center Shank



017245-40
Installation Repair Kit
Includes #11, (2)#14, #15

Product Specifications:
EasyInstall Faucet, Lever Handles, Cerama Cartridges,
8" Inlet Centers & 9" Swing Nozzle w/ 2.2 GPM Aerator

Drawn JRM	Checked DMH	Approved JHB
Scale: NTS		Date: 06/21/12